

AUTO-HAK Sp. z o.o.

ul. Słoneczna 16K 76-200 SŁUPSK
POLAND

tel/fax +48 59 8 414 414; +48 59 8 414 413

e-mail: office@autohak.com.pl

www.autohak.com.pl



AUTO-HAK

BMW 3

- F30, 4D, ~~M Pakiet / M3, Active Hybrid~~

03.2012 → 02.2014

03.2014 → 10.2018

- F31, Touring, Kombi,
~~M. Pakiet / M3, Active Hybrid~~

09.2012 → 02.2014

- F31, Touring, Kombi, xDrive
~~M. Pakiet / M3, Active Hybrid~~

03.2014 → 06.2019

Cat. no:

B20



2h



E20

E20-55R-01 4709

D

10,0 kN

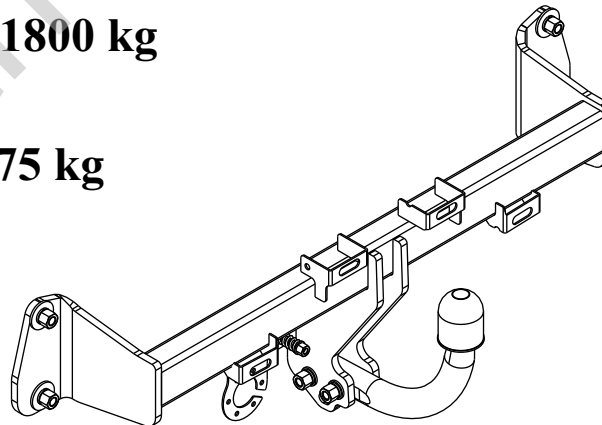
16,0 kg



R=1800 kg



S=75 kg



M6 - 11 Nm
M10 - 50 Nm
M14 - 138 Nm

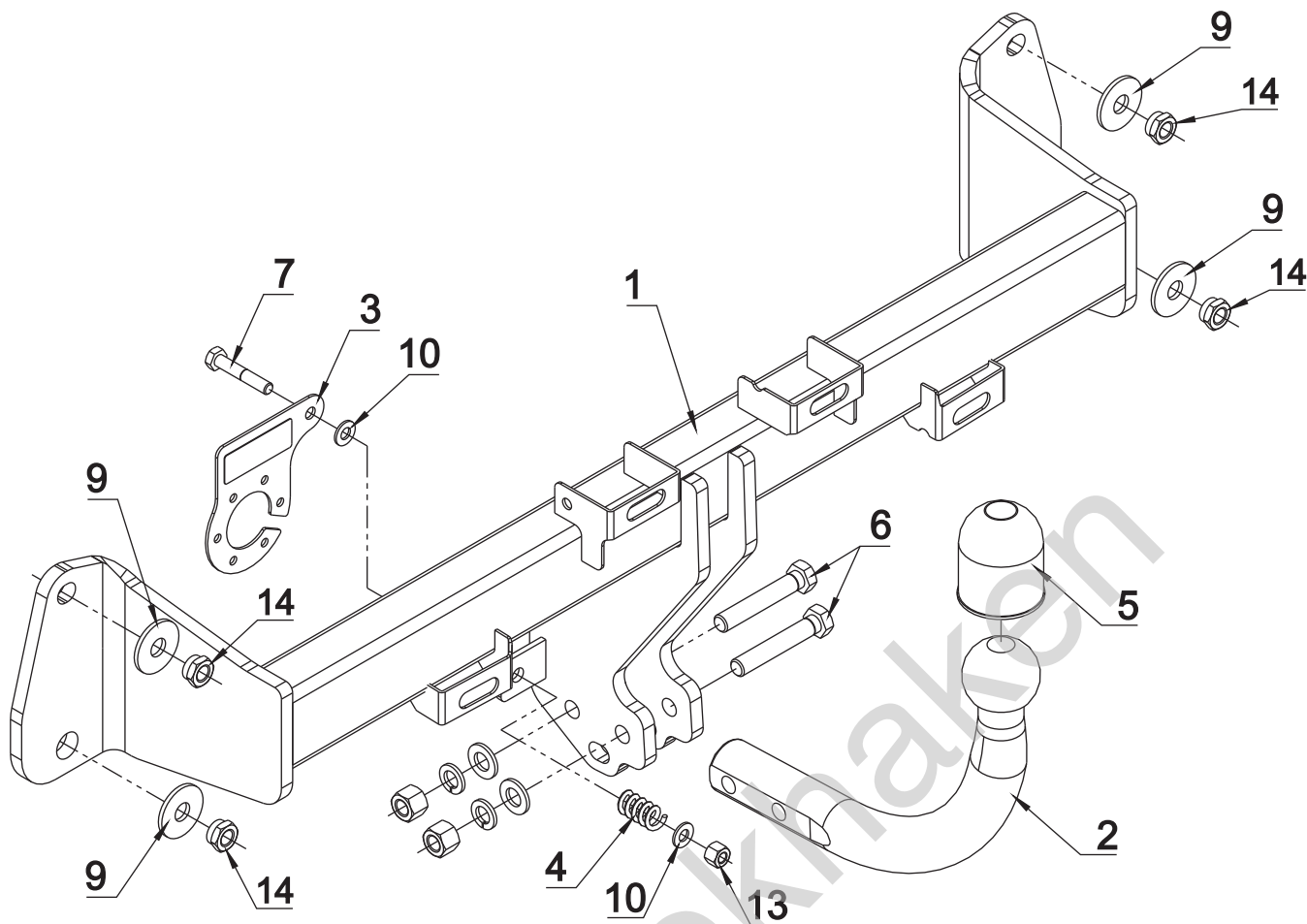
M8 - 25 Nm
M12 - 87 Nm
M16 - 210 Nm

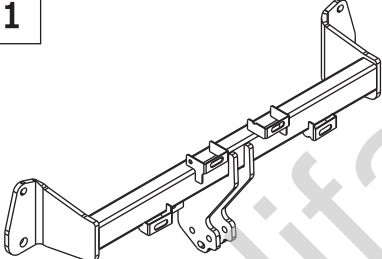




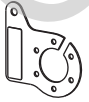

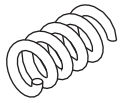

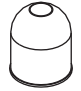


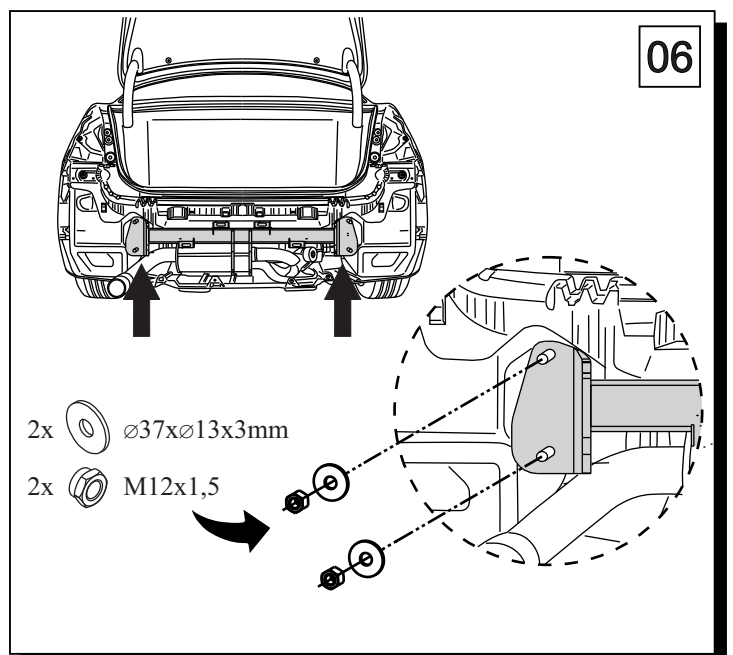
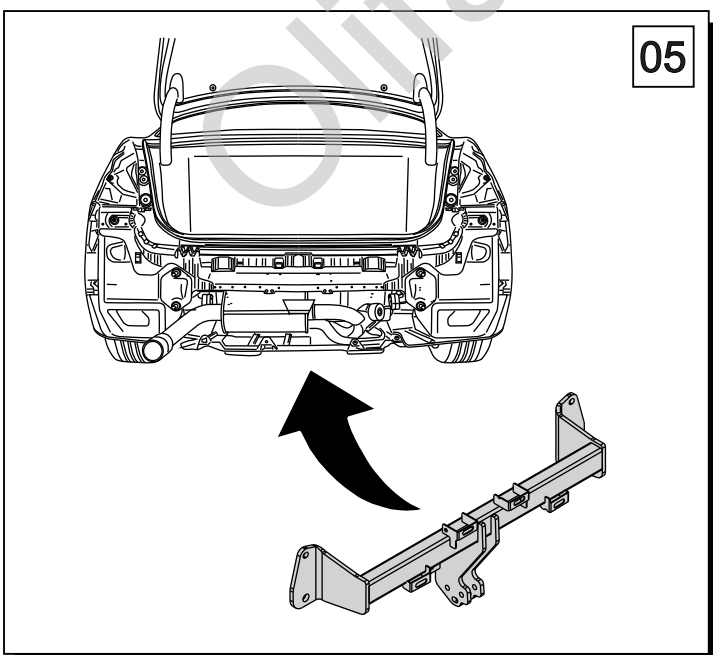
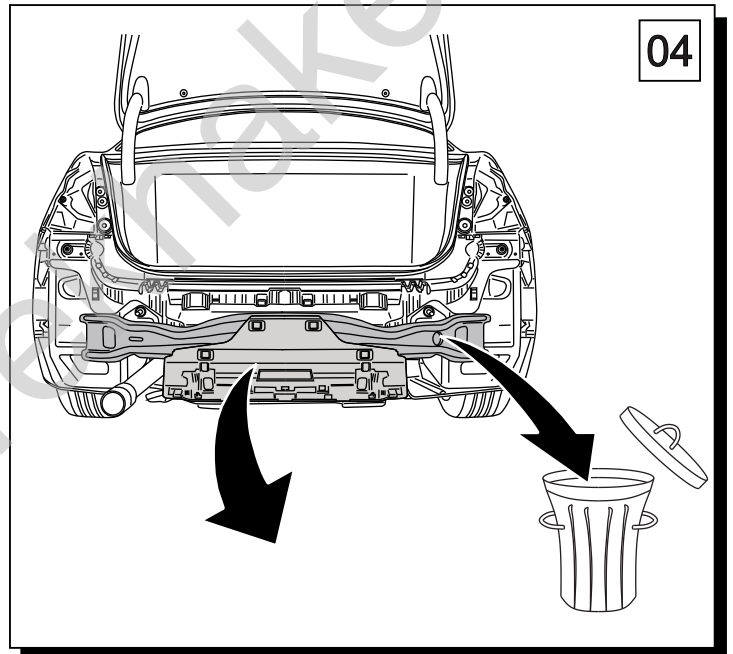
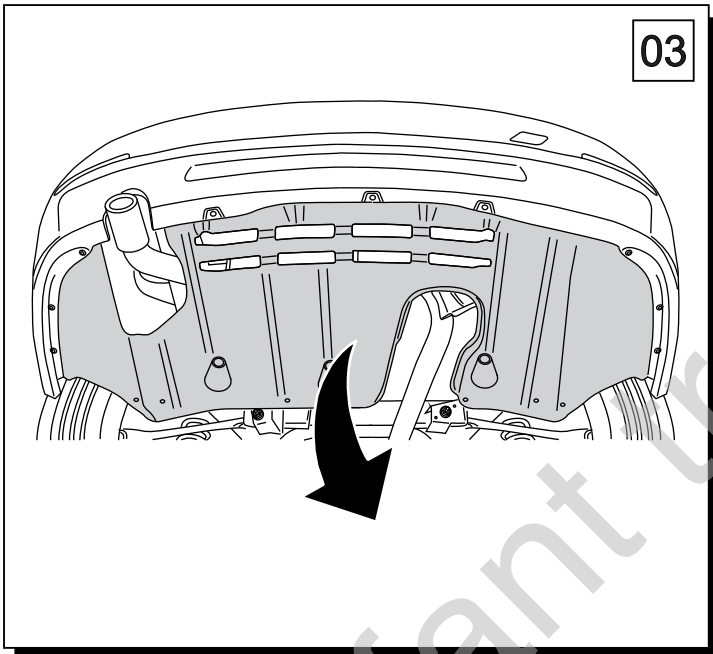
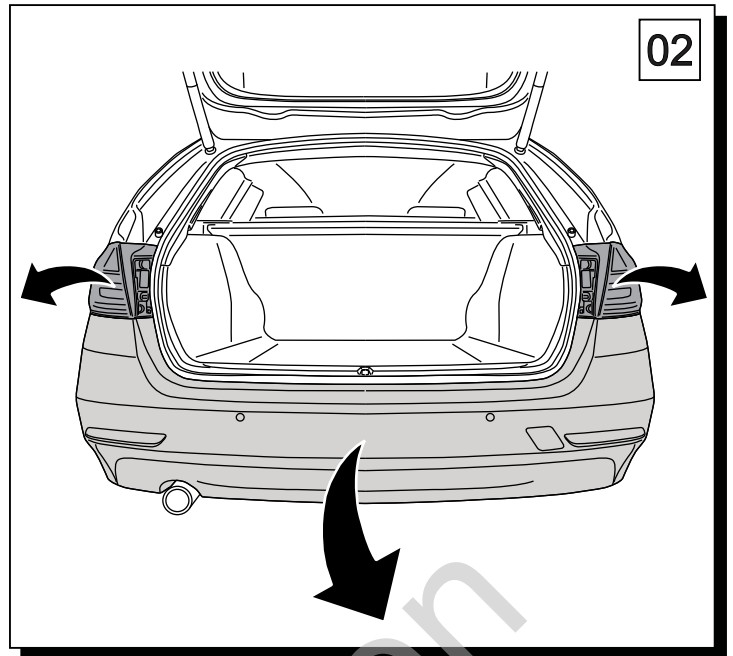
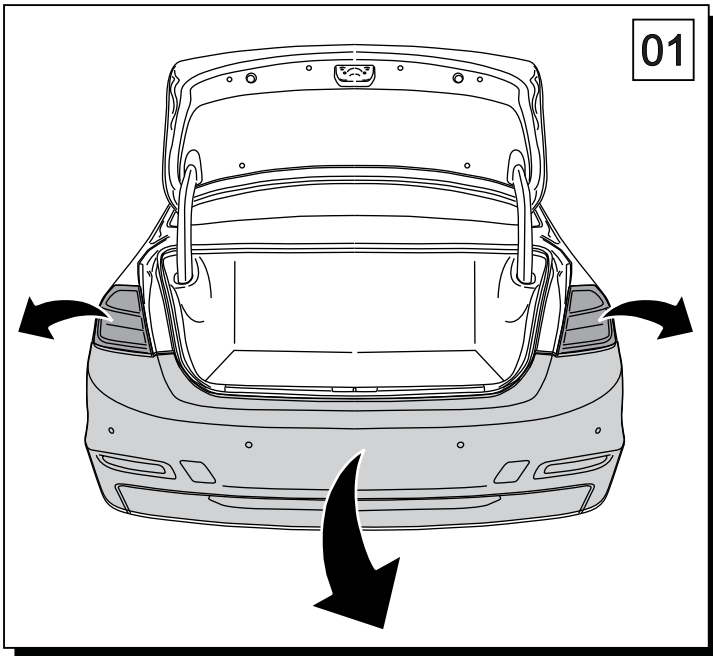
0 km →

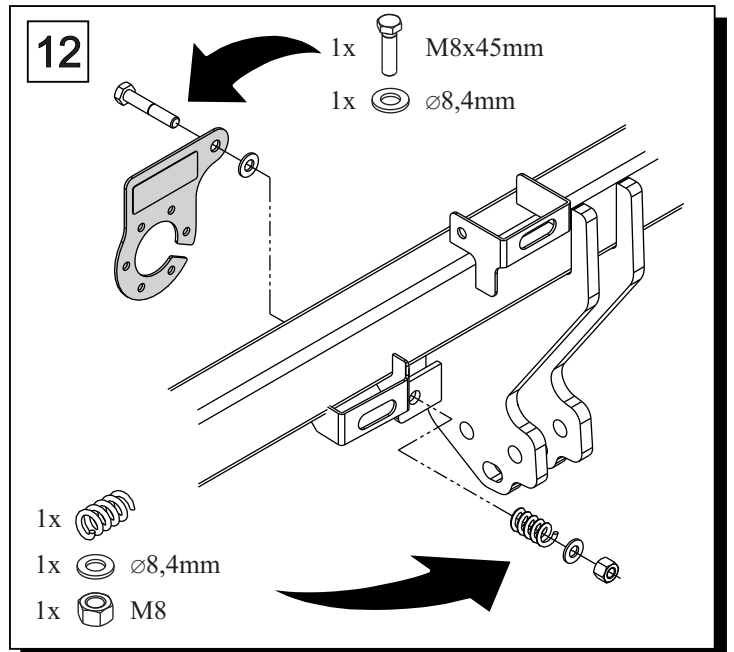
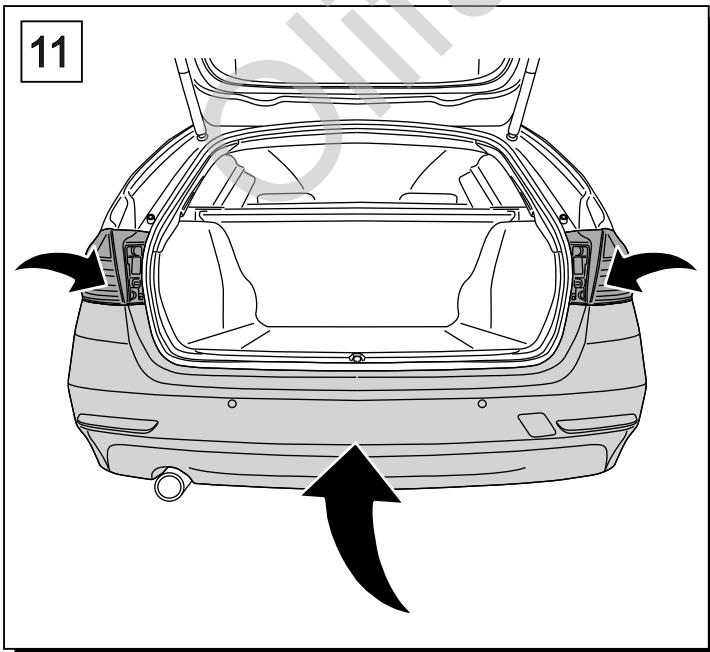
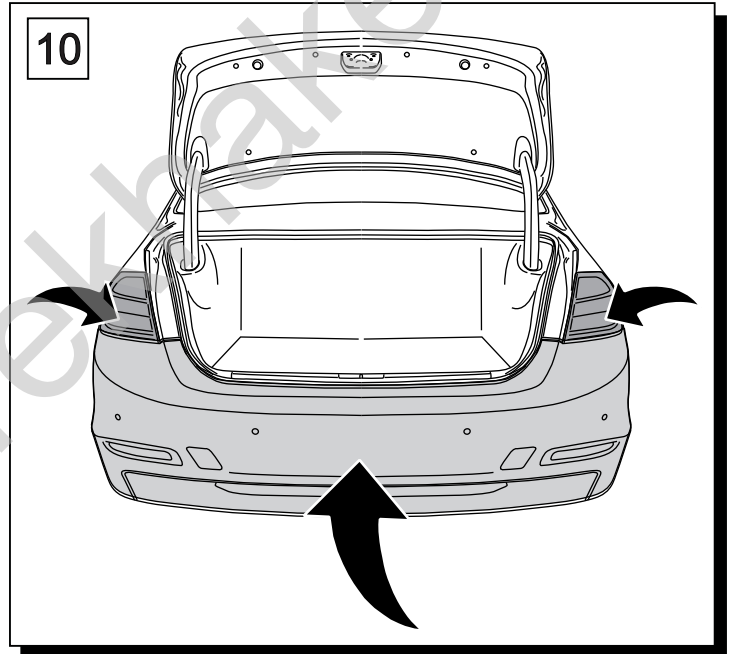
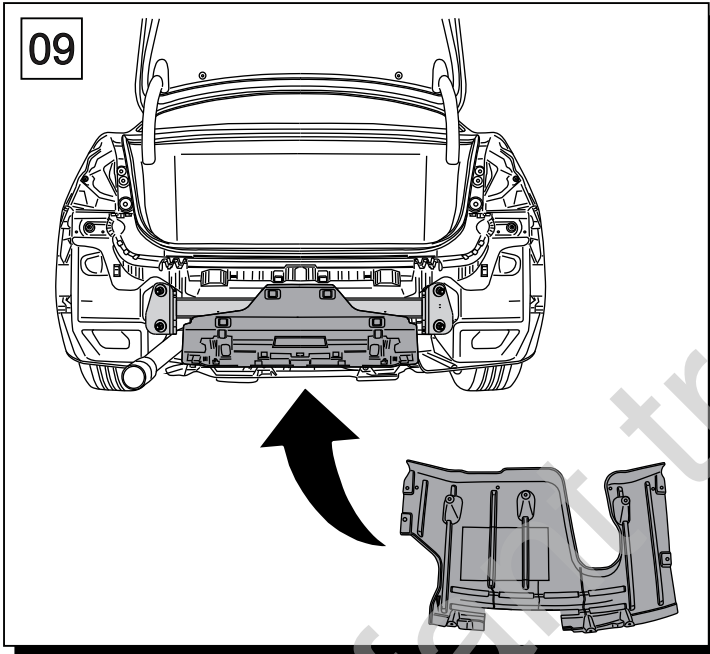
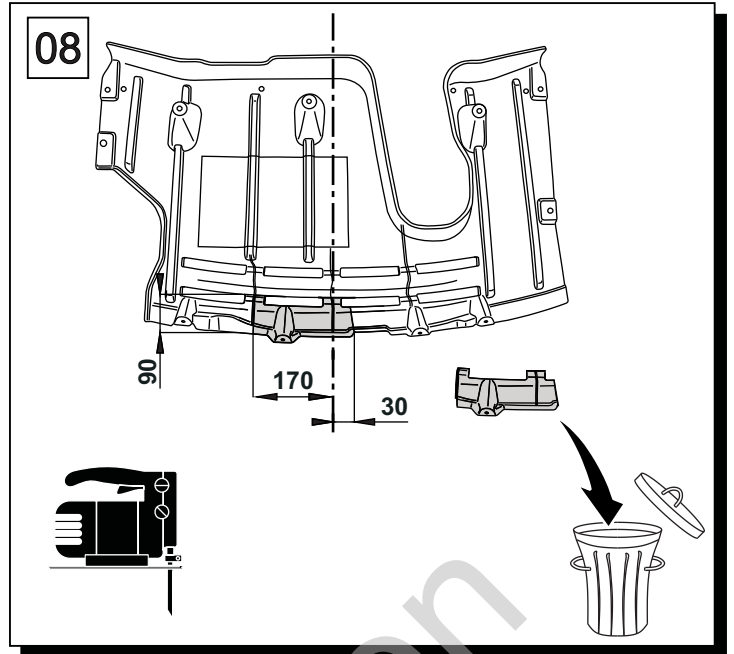
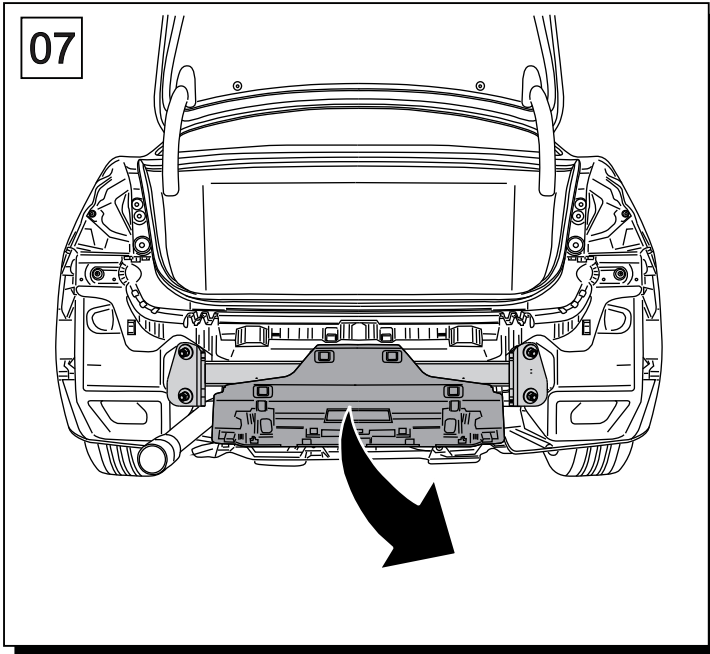


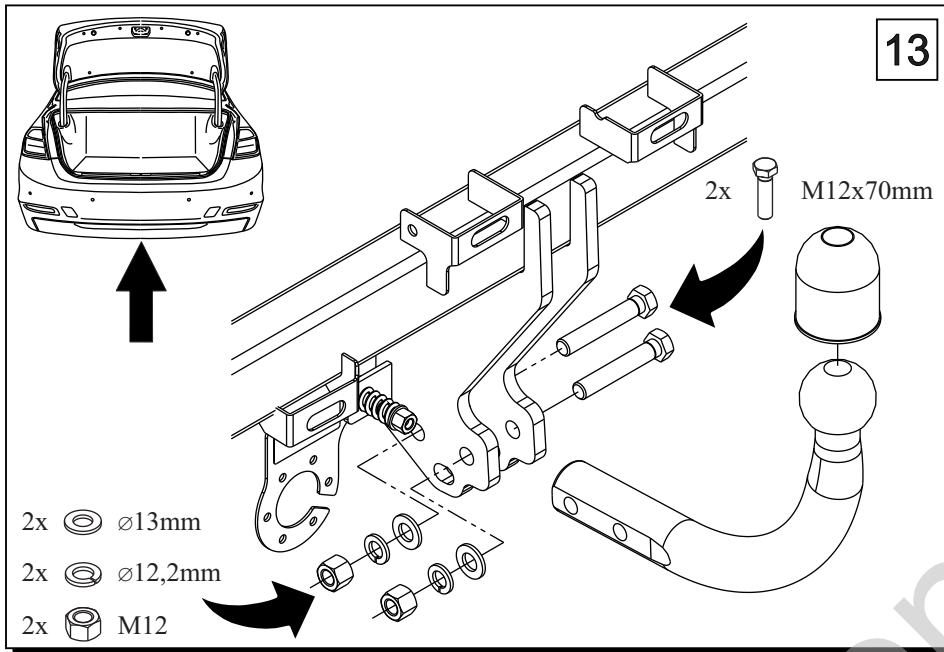

1000 km





1 	x1	 	6 M12x70	x2
			7 M8x45	x1
			8 \varnothing 13	x2
			9 \varnothing 37x \varnothing 13x3 13 (DIN 9021)	x4
2 	x1		10 \varnothing 8.4	x2
	Art.nr-KL1B20		11 \varnothing 12.2	x2
3 	x1		12 M12	x2
	Art.nr-BL1B20		13 M8	x1
4 	x1		14 M12x1,5	x4
5 	x1			





M6	-	11 Nm	M8	-	25 Nm
M10	-	50 Nm	M12	-	87 Nm
M14	-	138 Nm	M16	-	210 Nm


0 km → 
1000 km

Olifant tekniken