

# AUTO-HAK Sp. z o.o.

ul. Słoneczna 16K 76-200 SŁUPSK  
POLAND

tel/fax +48 59 8 414 414; +48 59 8 414 413

e-mail: [office@autohak.com.pl](mailto:office@autohak.com.pl)

[www.autohak.com.pl](http://www.autohak.com.pl)



# AUTO-HAK



**BMW X6 (E71)  
+ M Pakiet**

Cat. no:

**B19A**



**09.2008 → 10.2014**



**E20-55R-01 5011**



**2h**



**16,0 kN**



**R=3500 kg**



**S=140 kg**



**20,1 kg**



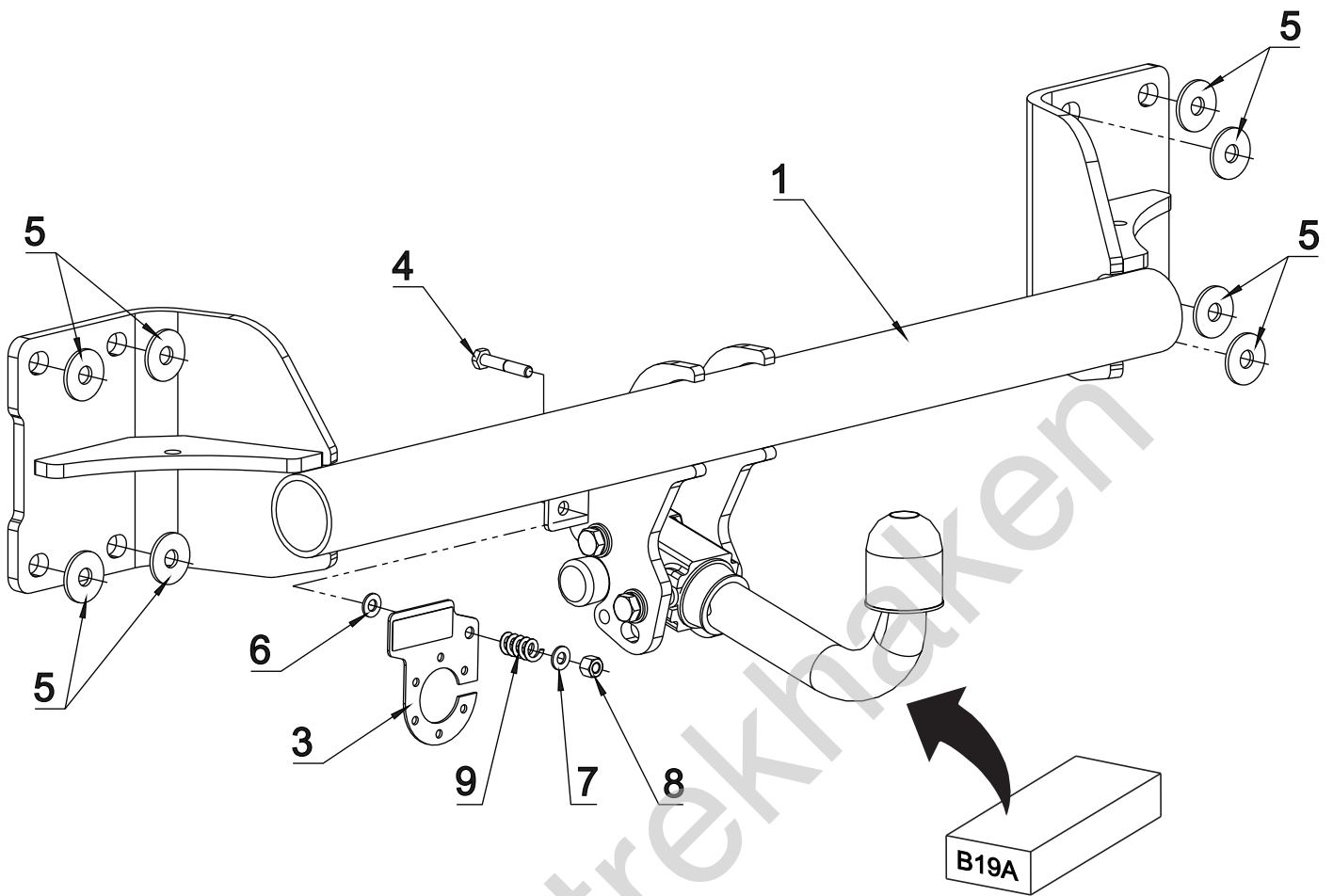
śruba	Nm	M6	M8	M10	M12	M14	M16
klasa 8.8		9,9	24	48	83	132	200
klasa 10.9		14	34	67	117	185	285

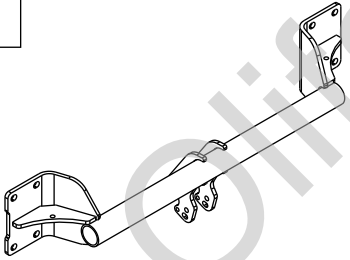
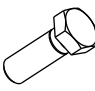
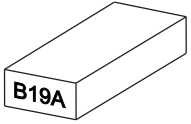
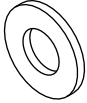

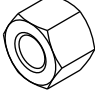
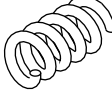


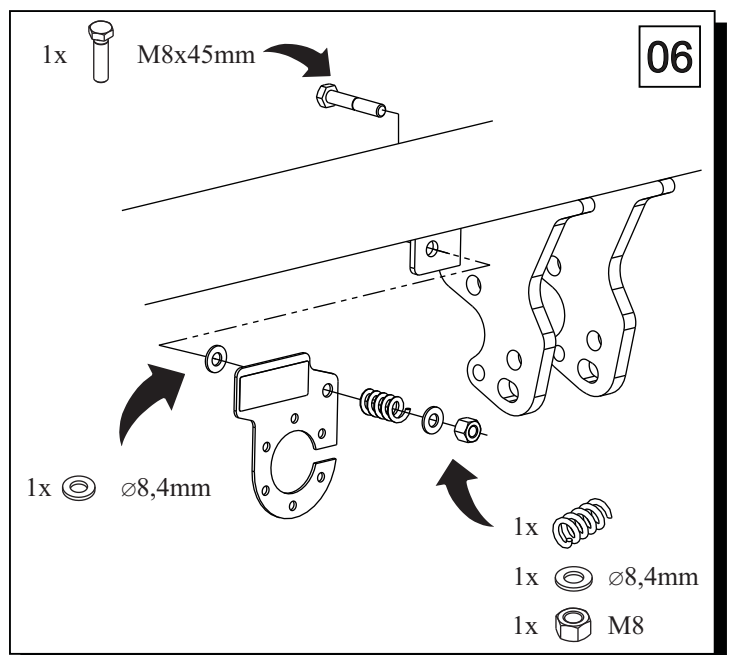
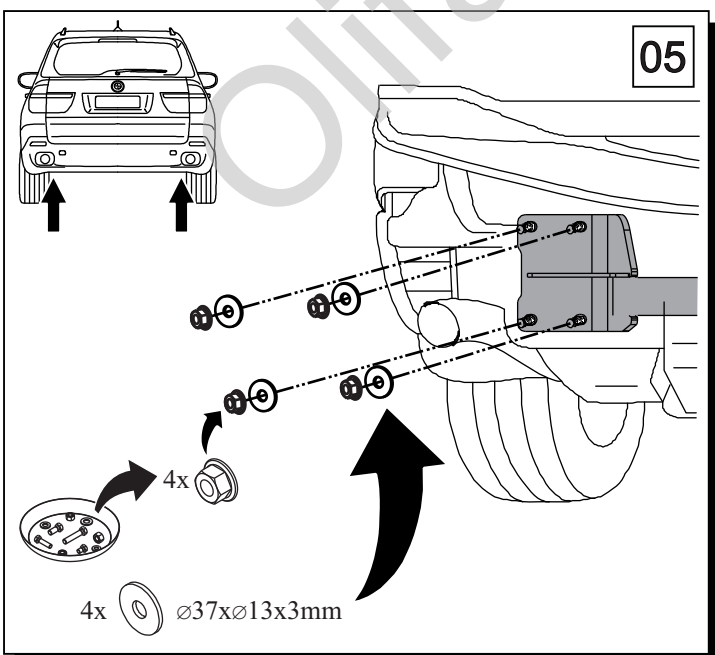
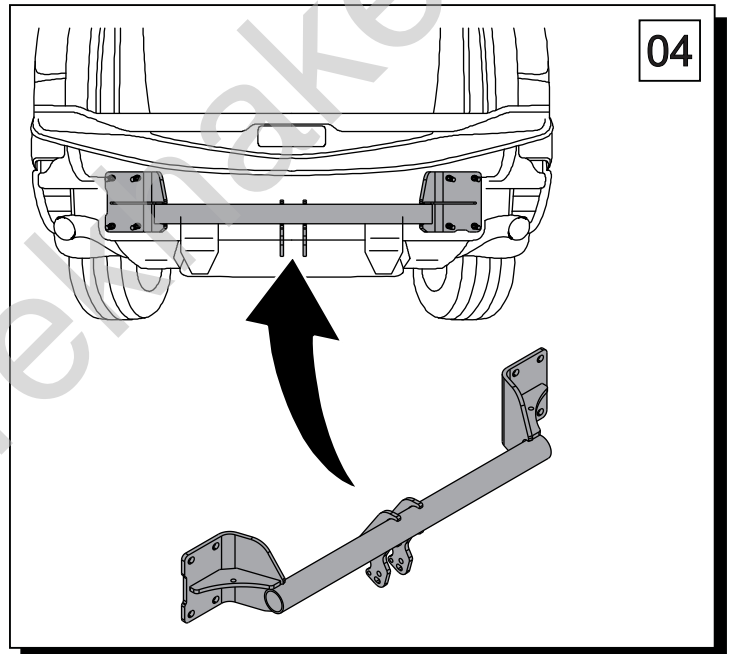
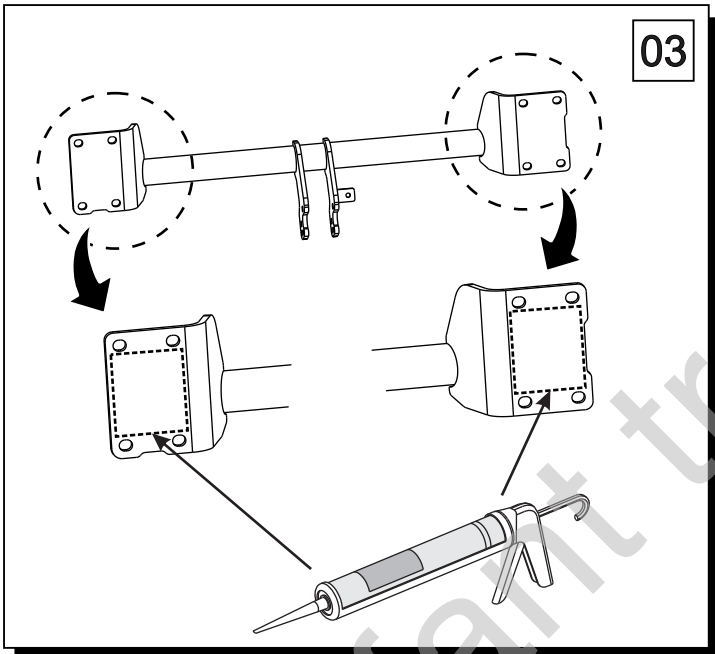
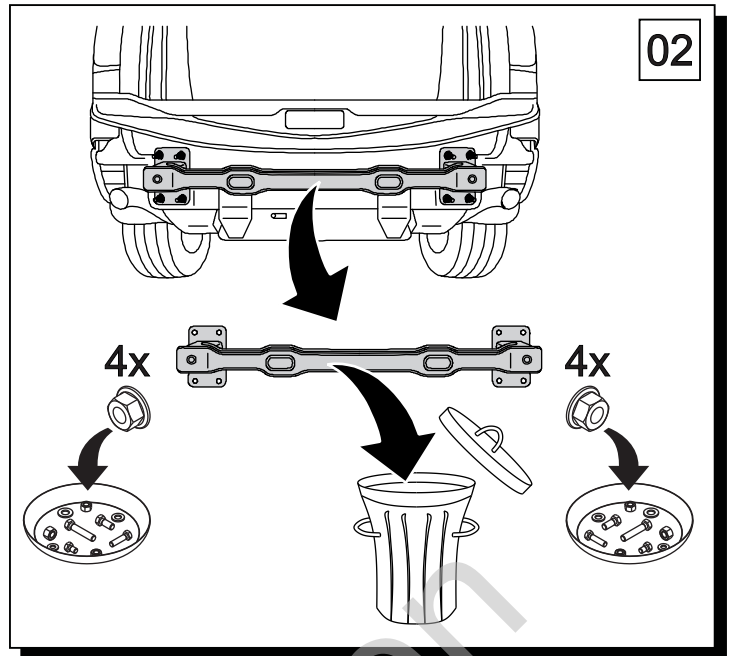
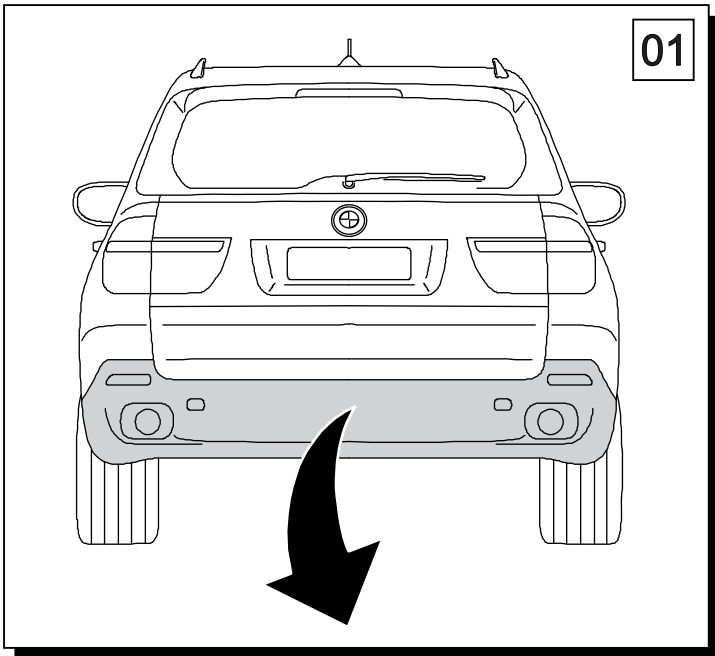
**0 km →**



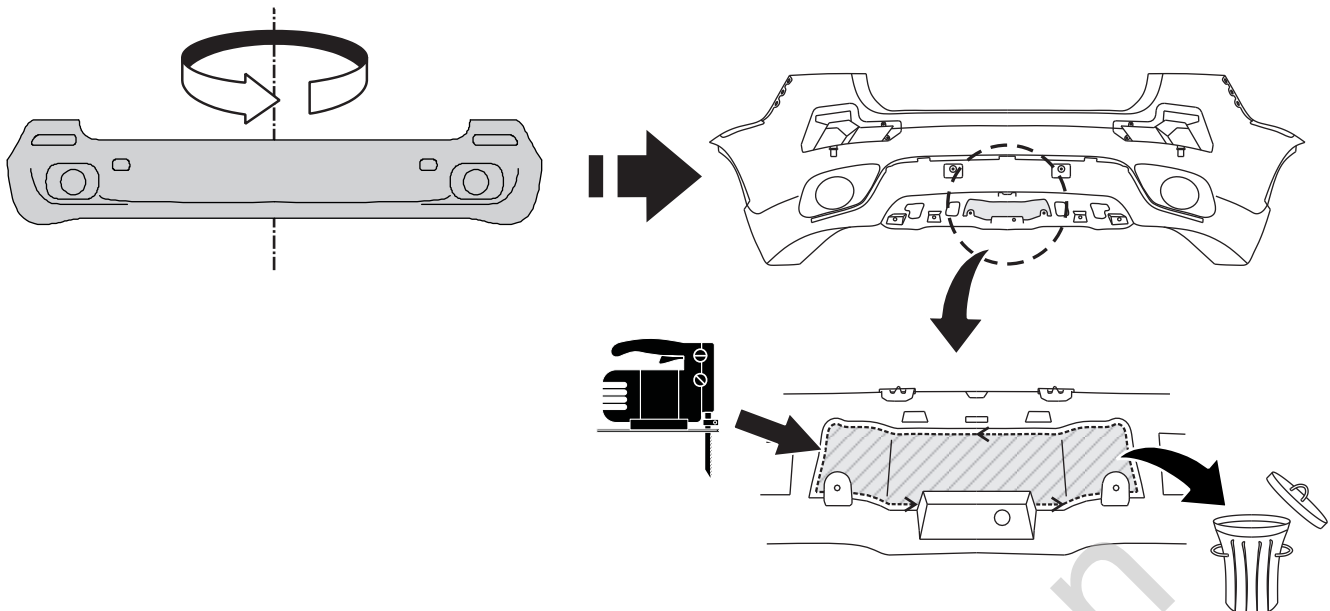
**1000 km**



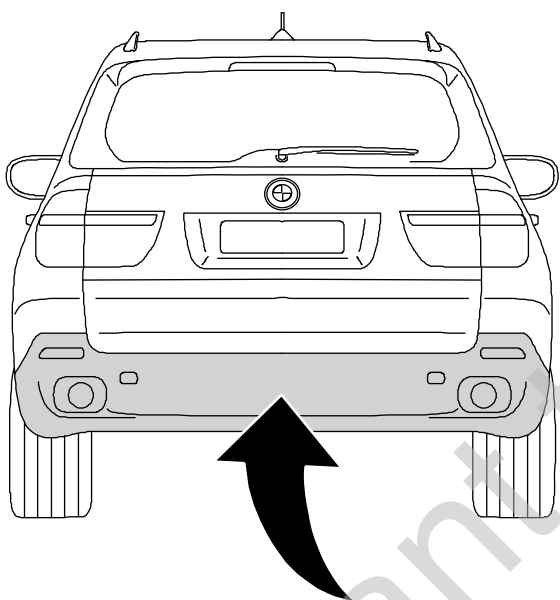
1		x1		4 M8x45	x1
2		x1		5 $\varnothing$ 37x $\varnothing$ 13x3 13 (DIN 9021)	x8
				6 $\varnothing$ 8.4	x2
3		x1		7 M8	x1
	Art.nr-KL1B19A	8			x1
	Art.nr-BL1B19A				



07



08



09

