

# AUTO-HAK Sp. z o.o.

ul. Słoneczna 16K 76-200 SŁUPSK  
POLAND

tel/fax +48 59 8 414 414; +48 59 8 414 413

e-mail: [office@autohak.com.pl](mailto:office@autohak.com.pl)

[www.autohak.com.pl](http://www.autohak.com.pl)



# AUTO-HAK



**BMW 7  
(E65, E66)**

**4D**

Cat. no:

**B17A**



11.2001 → 10.2008

e20

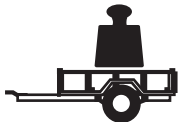
e20\*94/20\*1677\*00

**D**

12,5 kN



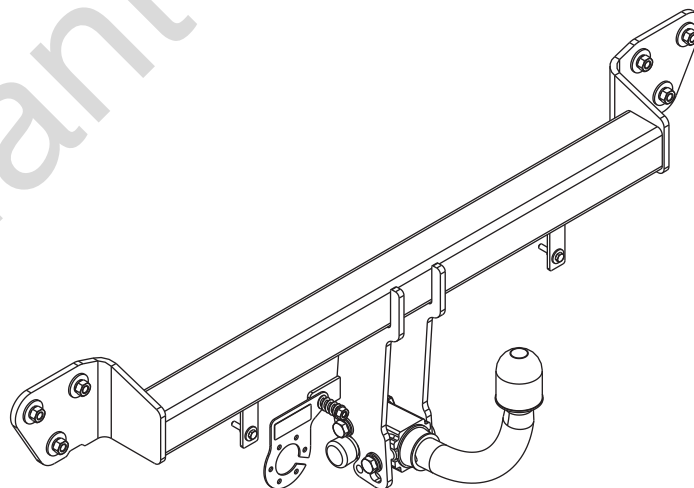
**2h**



R=2300 kg



S=100



M6 - 11 Nm  
M10 - 50 Nm  
M14 - 138 Nm

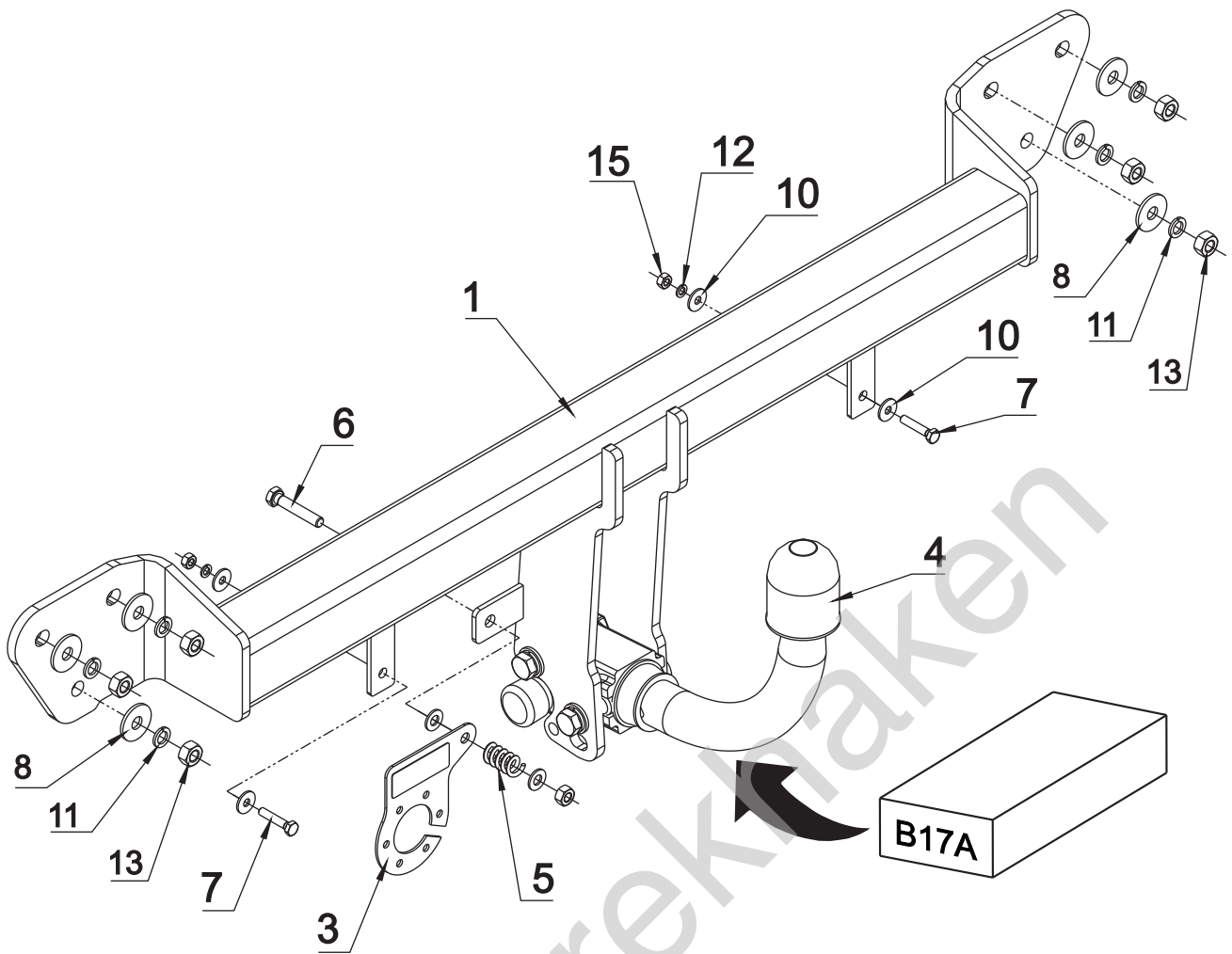
M8 - 25 Nm  
M12 - 87 Nm  
M16 - 210 Nm

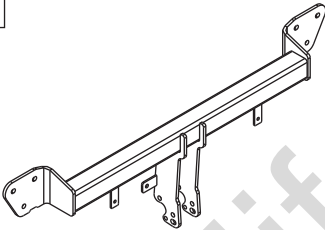
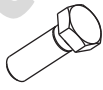
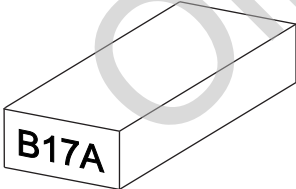

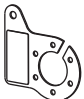


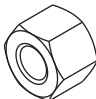
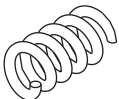


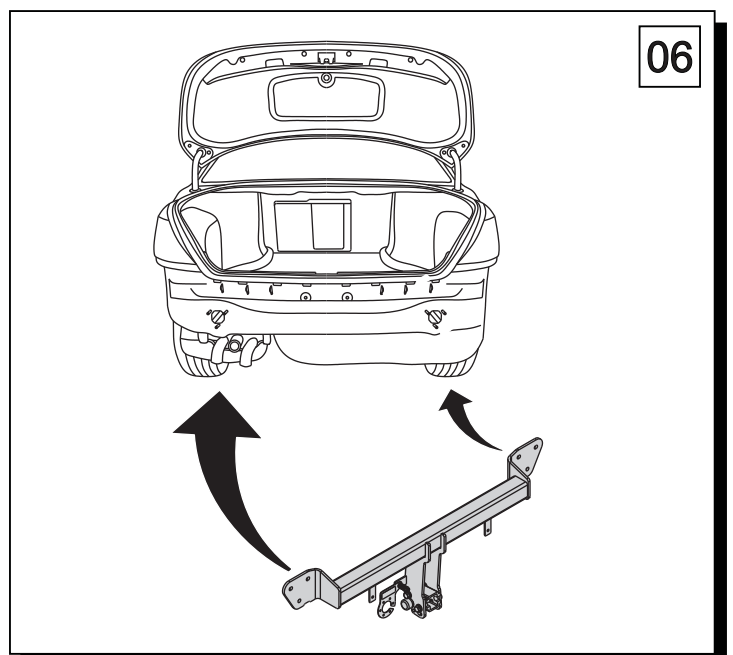
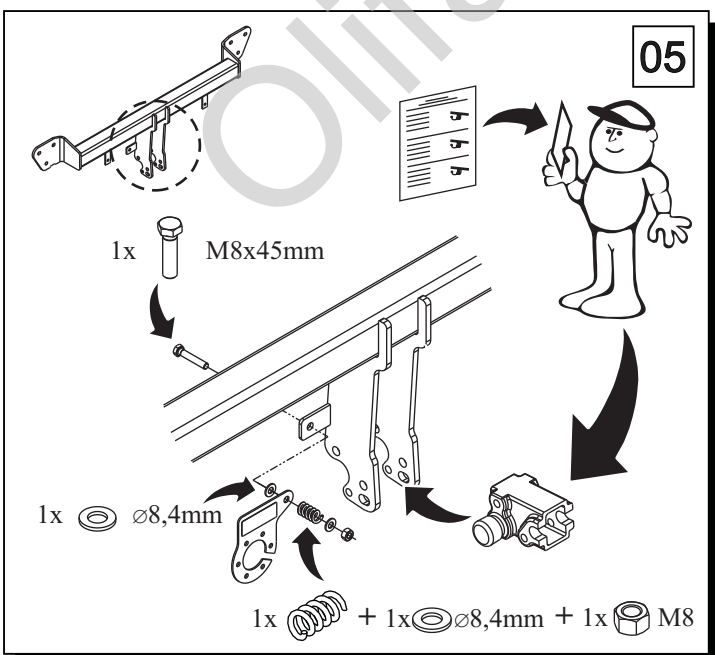
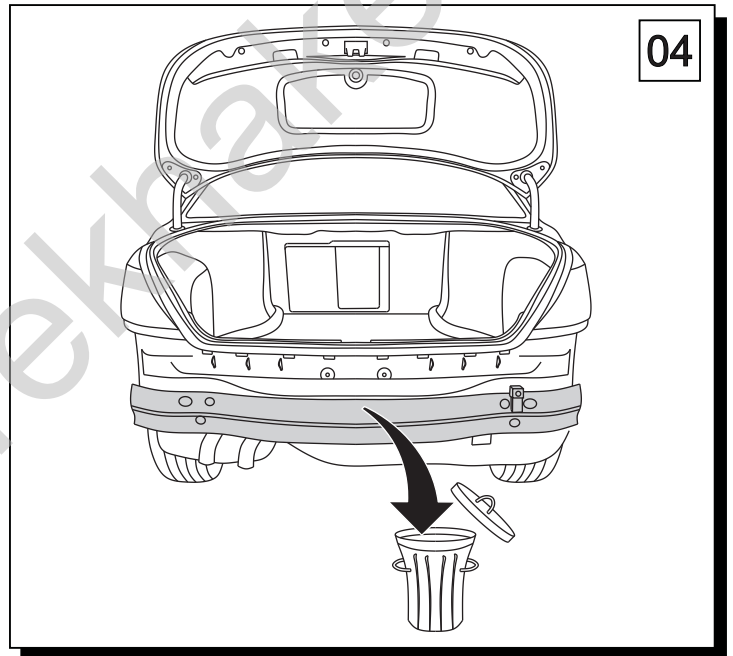
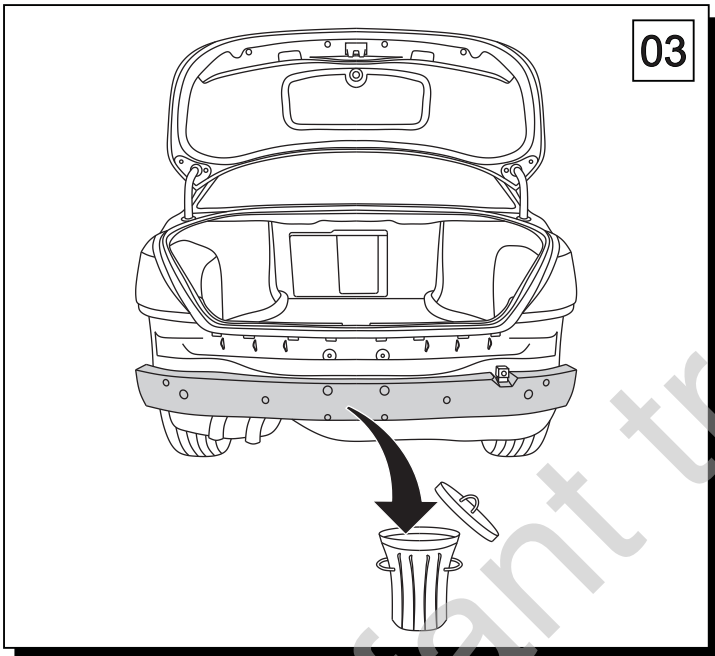
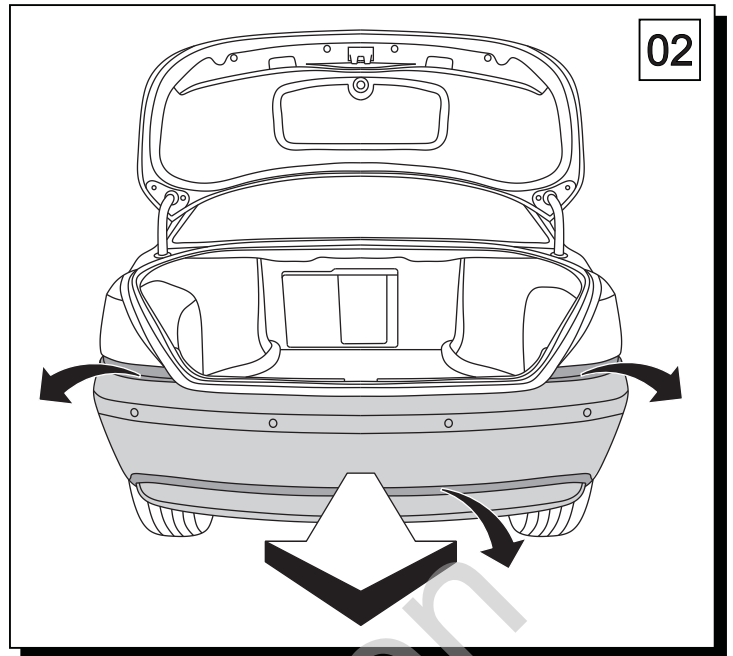
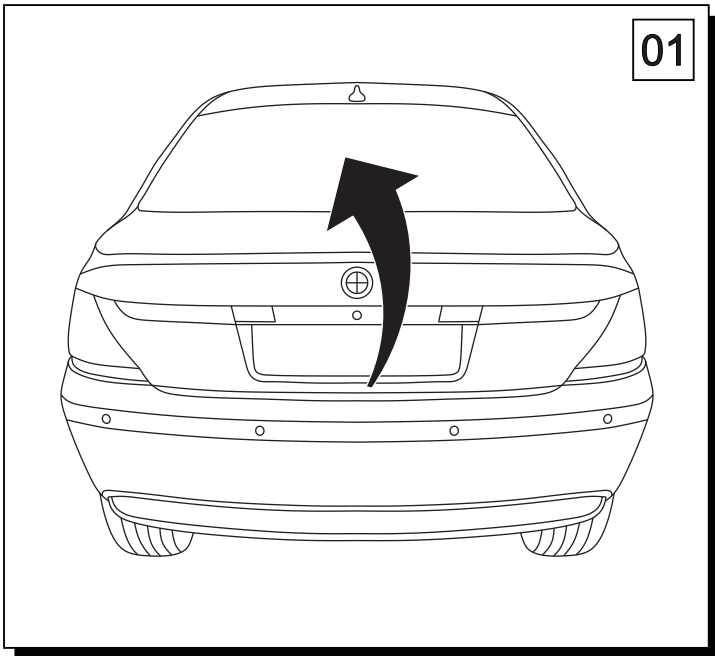
0 km →

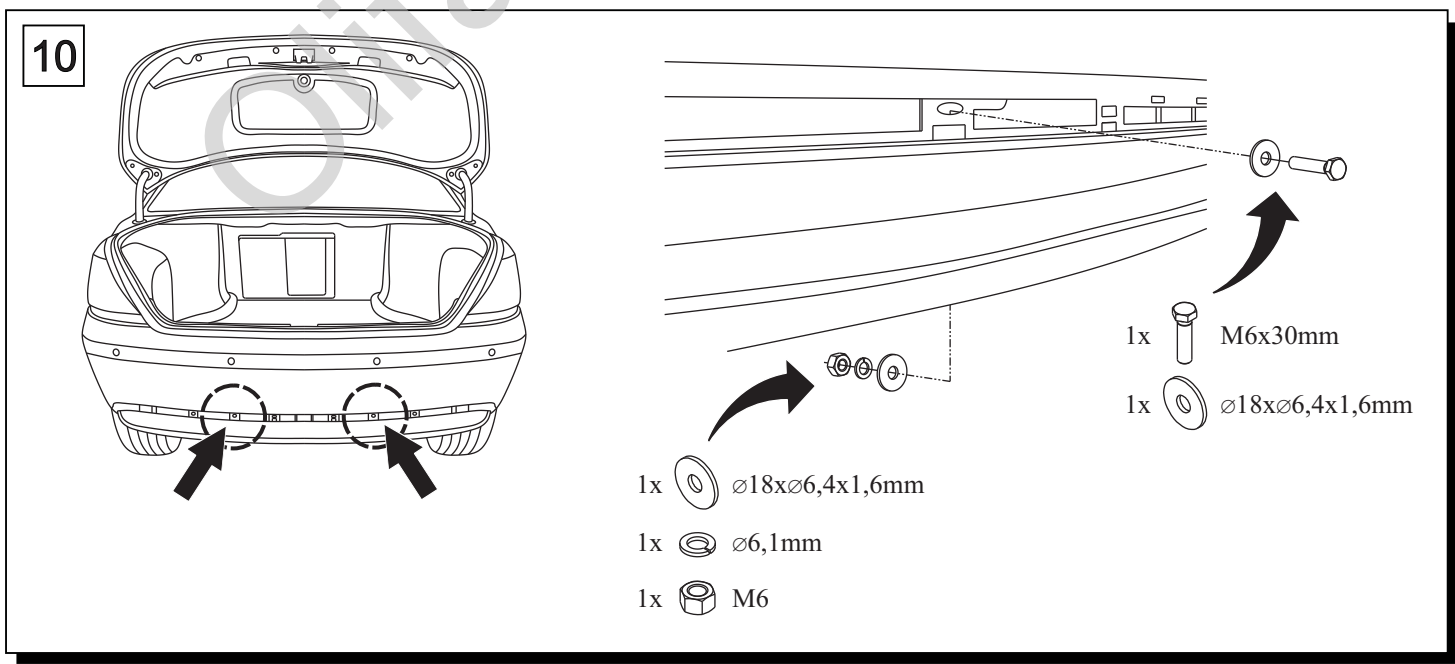
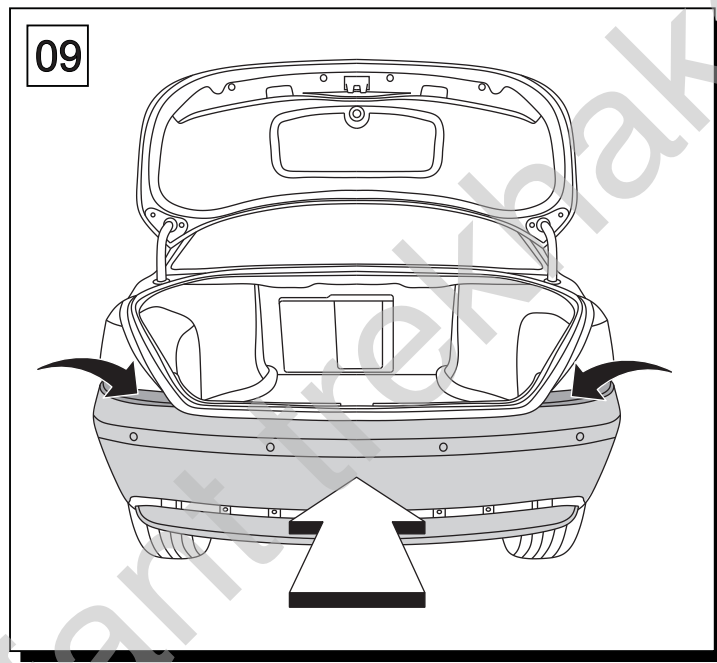
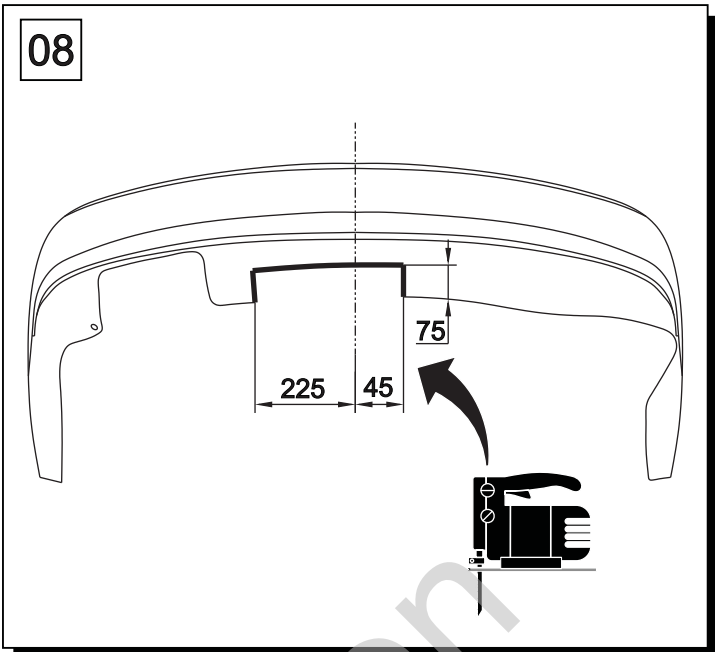
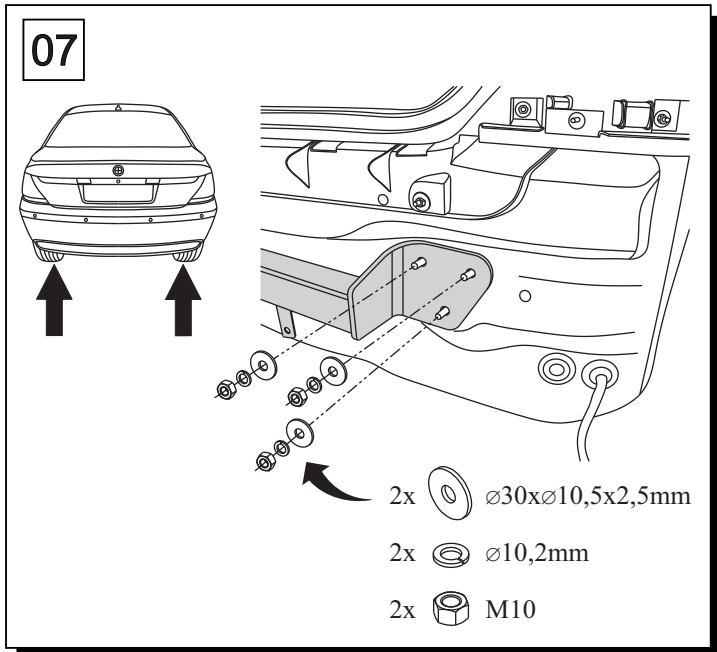


1000 km

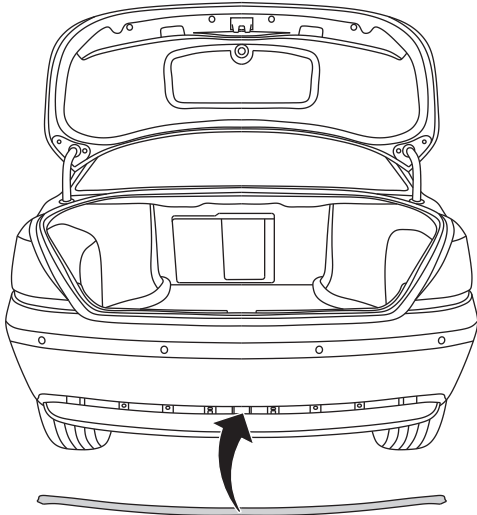


1		x 1		6	M 8x45	1
				7	M 6x30	2
2		x 1		8	$\varnothing$ 30x $\varnothing$ 10.5x2.5 10 (DIN 9021)	6
				9	$\varnothing$ 8.4	2
				10	$\varnothing$ 18x $\varnothing$ 6.4x1.6 6 (DIN 9021)	4
3		x 1		11	$\varnothing$ 10.2	6
				12	$\varnothing$ 6.1	2
4		x 1		13	M 10	6
				14	M 8	1
5		x 1		15	M 6	2

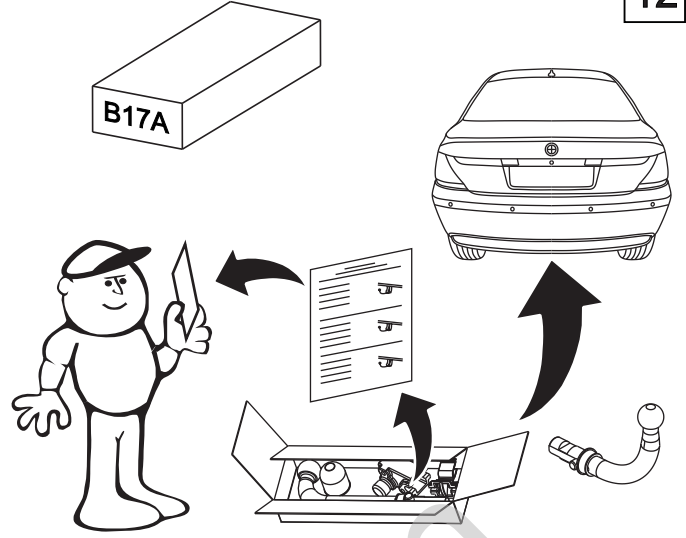




11



12



Olifant trekhakeri