

# AUTO-HAK Sp. z o.o.

ul. Słoneczna 16K 76-200 SŁUPSK  
POLAND

tel/fax +48 59 8 414 414; +48 59 8 414 413

e-mail: [office@autohak.com.pl](mailto:office@autohak.com.pl)

[www.autohak.com.pl](http://www.autohak.com.pl)



# AUTO-HAK

## BMW X3 (F25)

~~M Pakiet, X3M~~

⌚ 11.2010 → 10.2017

## BMW X4 (F26)

~~M Pakiet, X4M~~

⌚ 07.2014 → 03.2018

Nr kat.

**B16A**

**e20** e20\*94/20\*1545\*00

**D** 12,0 kN



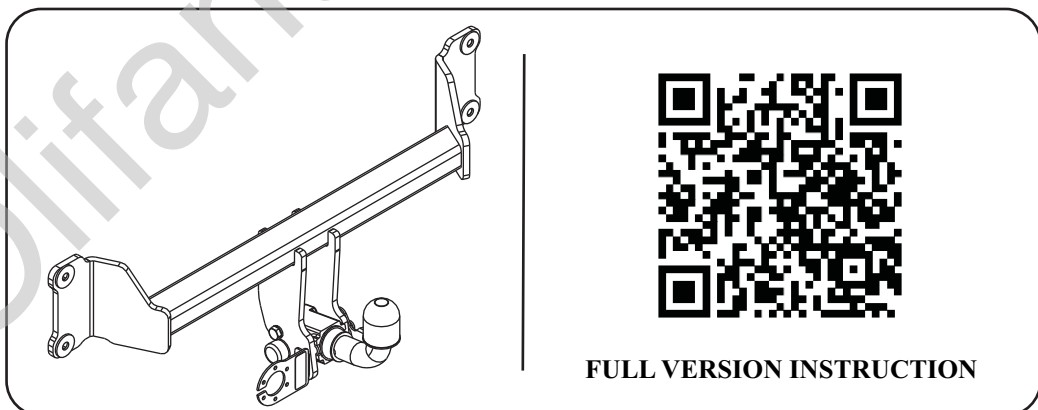
R=2400 kg



S=100 kg



2h

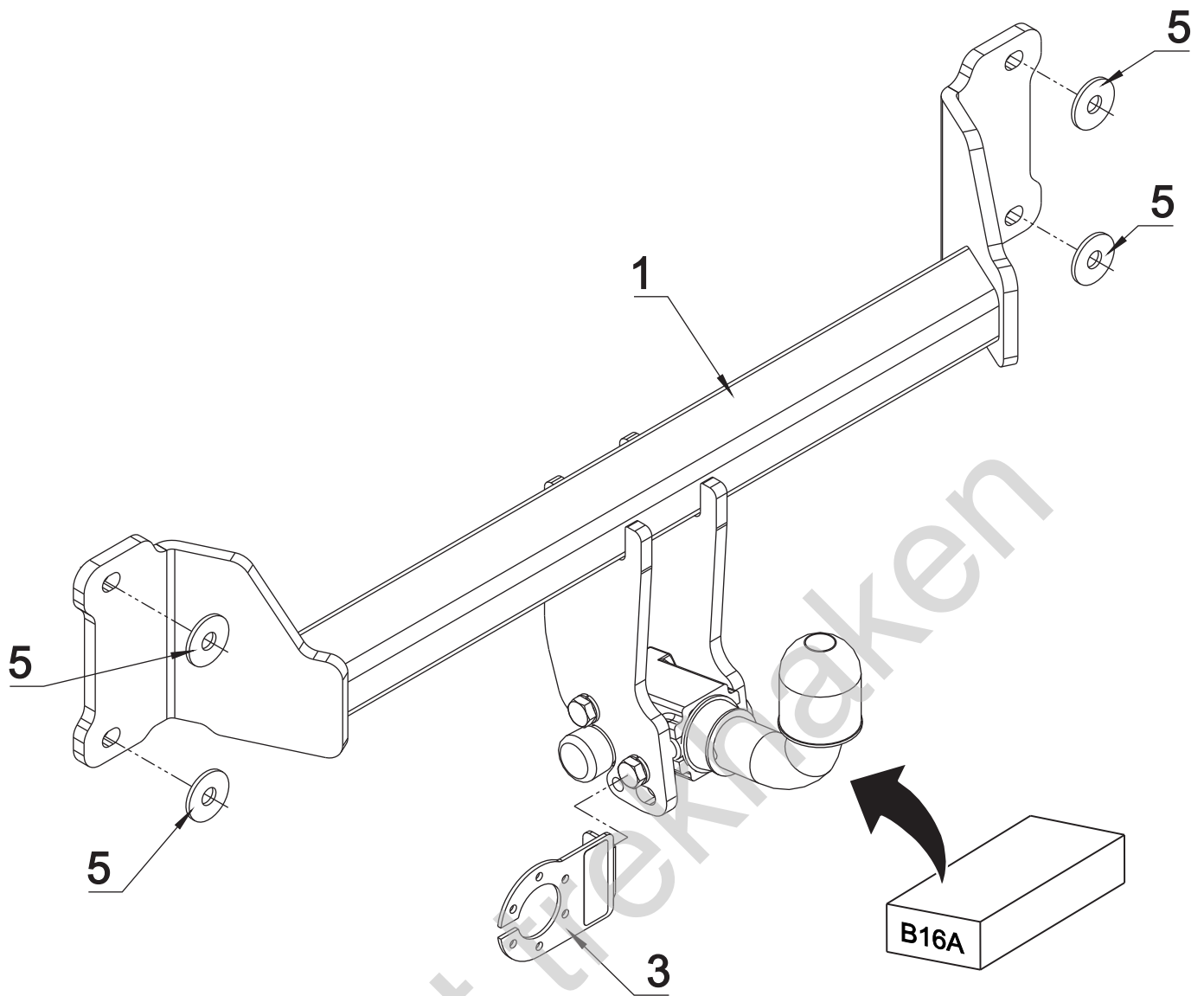


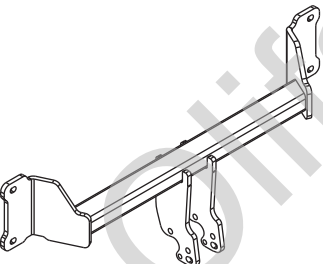

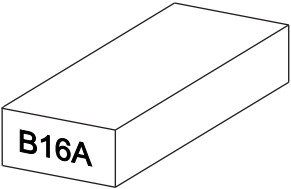
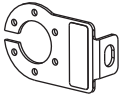
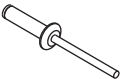
FULL VERSION INSTRUCTION

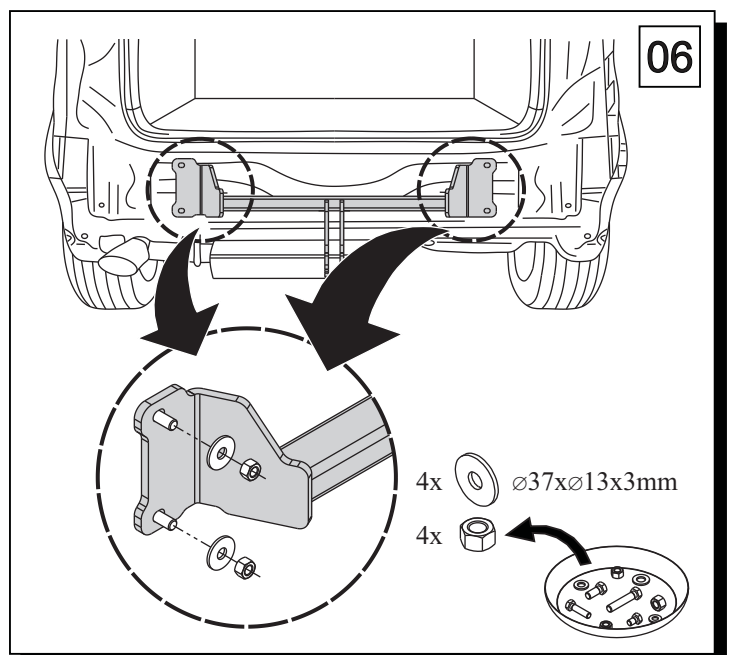
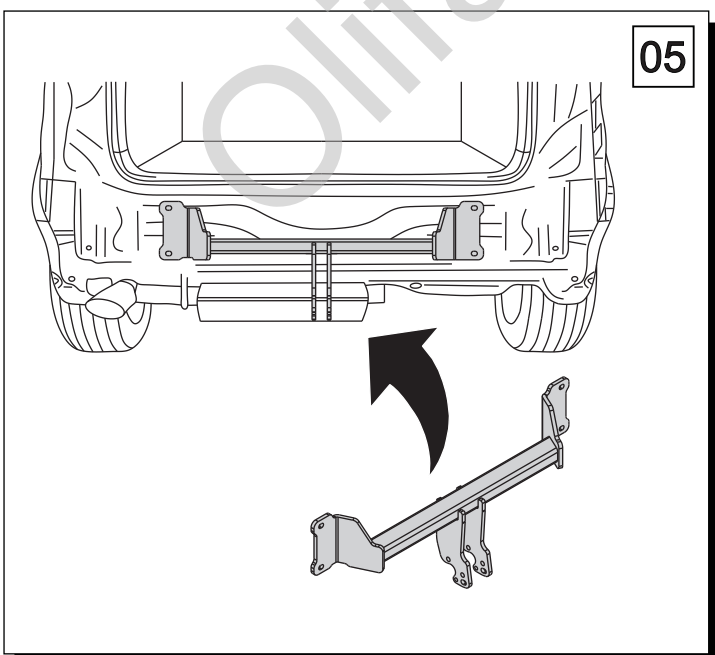
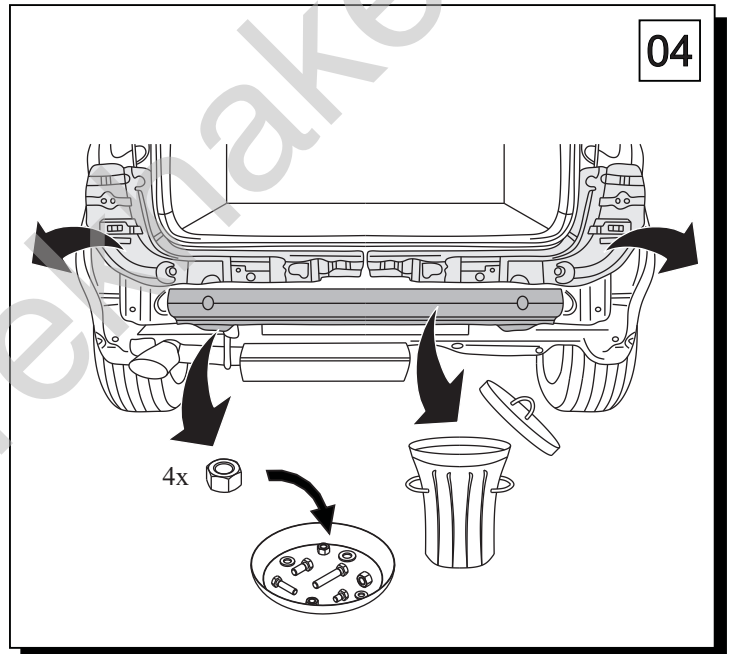
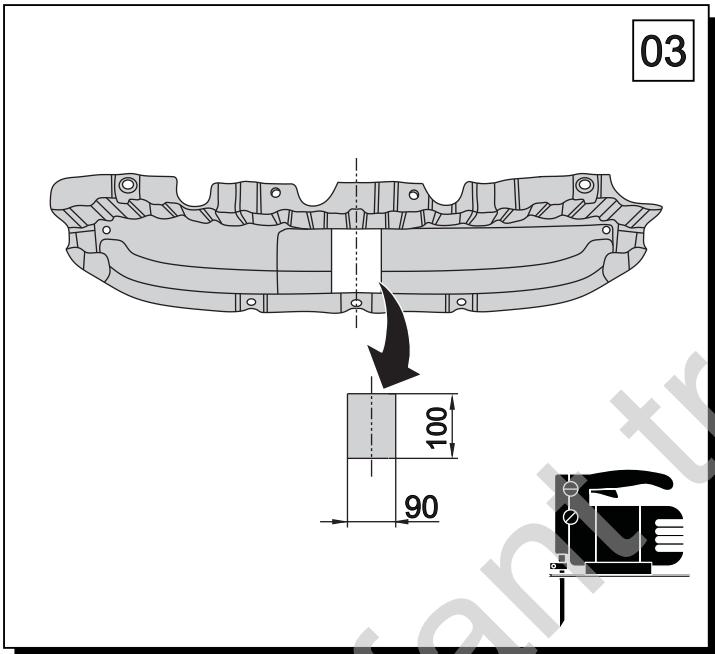
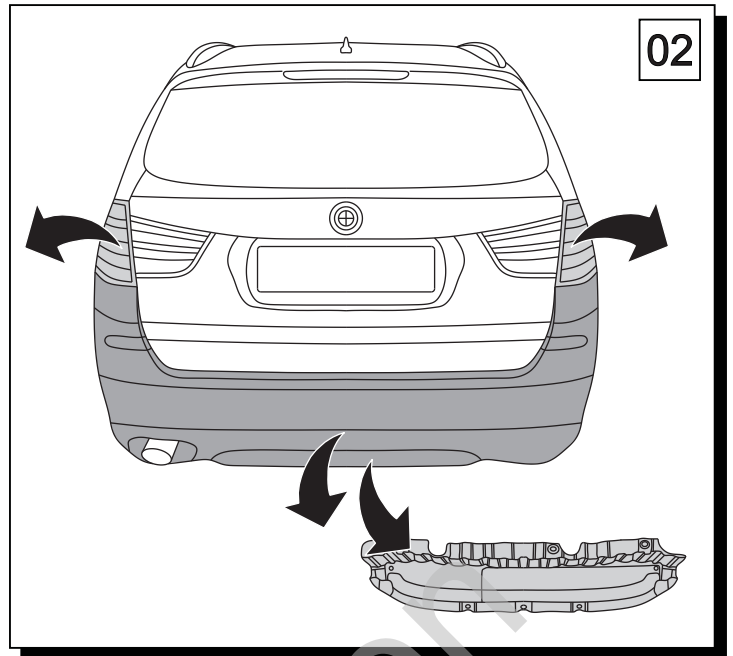
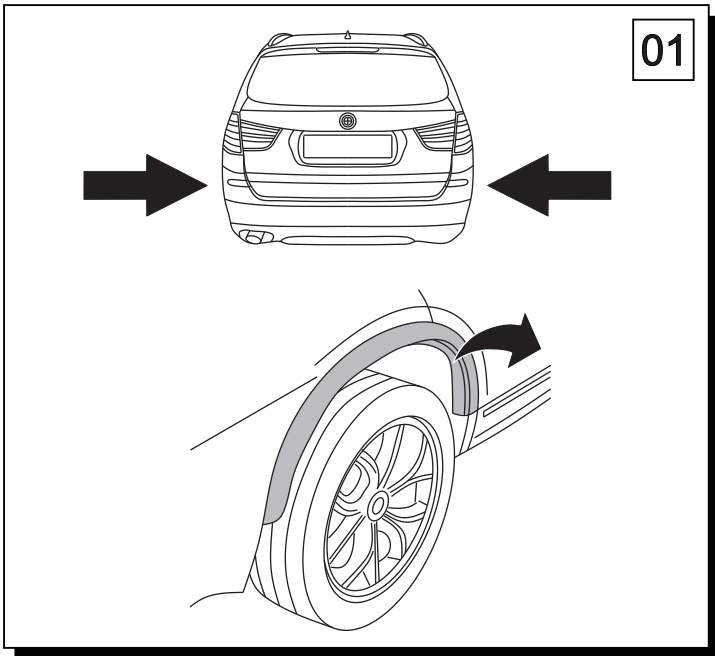


śruba	Nm	M6	M8	M10	M12	M14	M16
klasa 8.8		9,9	24	48	83	132	200
klasa 10.9		14	34	67	117	185	285

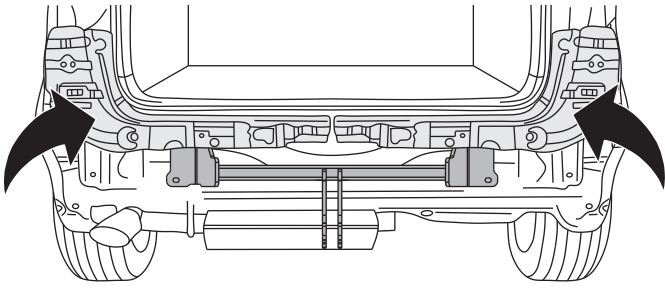
⌚ 0 km → ⌚ 1000 km



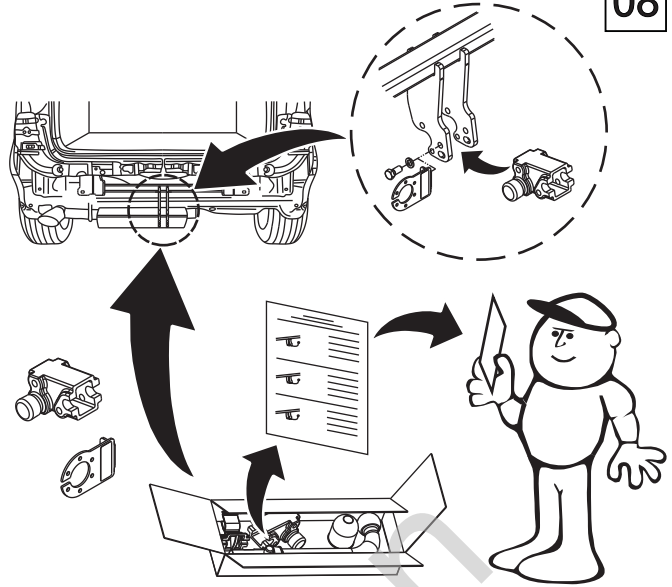
	x1		<b>5</b> $\emptyset$ 37x $\emptyset$ 13x3 13 DIN 9021	<b>4</b>
	x1	Art.nr-KL1B16A		
	x1	Art.nr-BL1B16A		
	x4	$\emptyset$ 5x20mm		



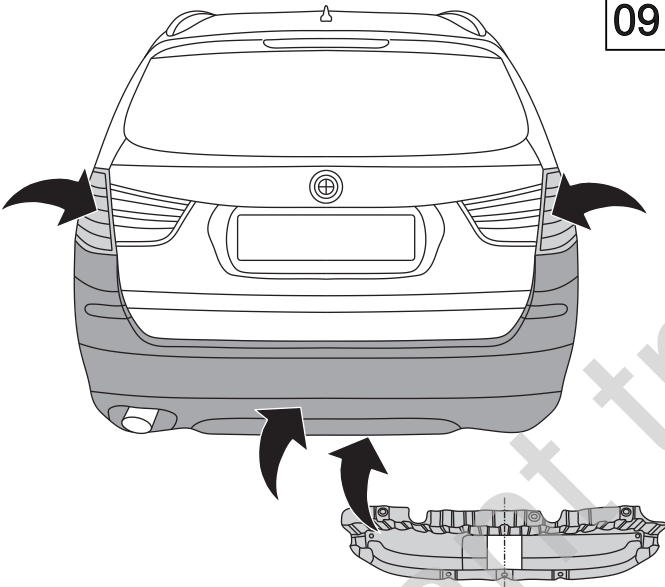
07



08



09



10

