

AUTO-HAK Sp. z o.o.

ul. Słoneczna 16K 76-200 SŁUPSK
POLAND

tel/fax +48 59 8 414 414; +48 59 8 414 413

e-mail: office@autohak.com.pl

www.autohak.com.pl



AUTO-HAK

BMW X3 (F25)

~~M Pakiet, X3M~~

⌚ 09.2010 → 10.2017

BMW X4 (F26)

~~M Pakiet, X4M~~

⌚ 07.2014 → 03.2018

Nr kat.

B16

e20 e20*94/20*1544*00

D 12,0 kN



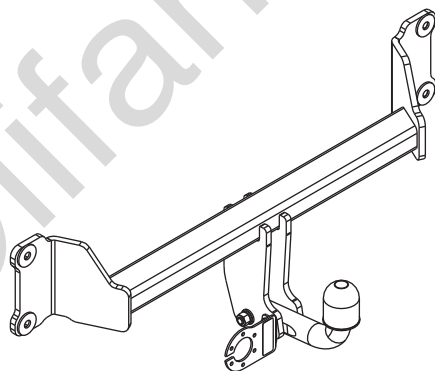
R=2400 kg



S=100 kg



2h

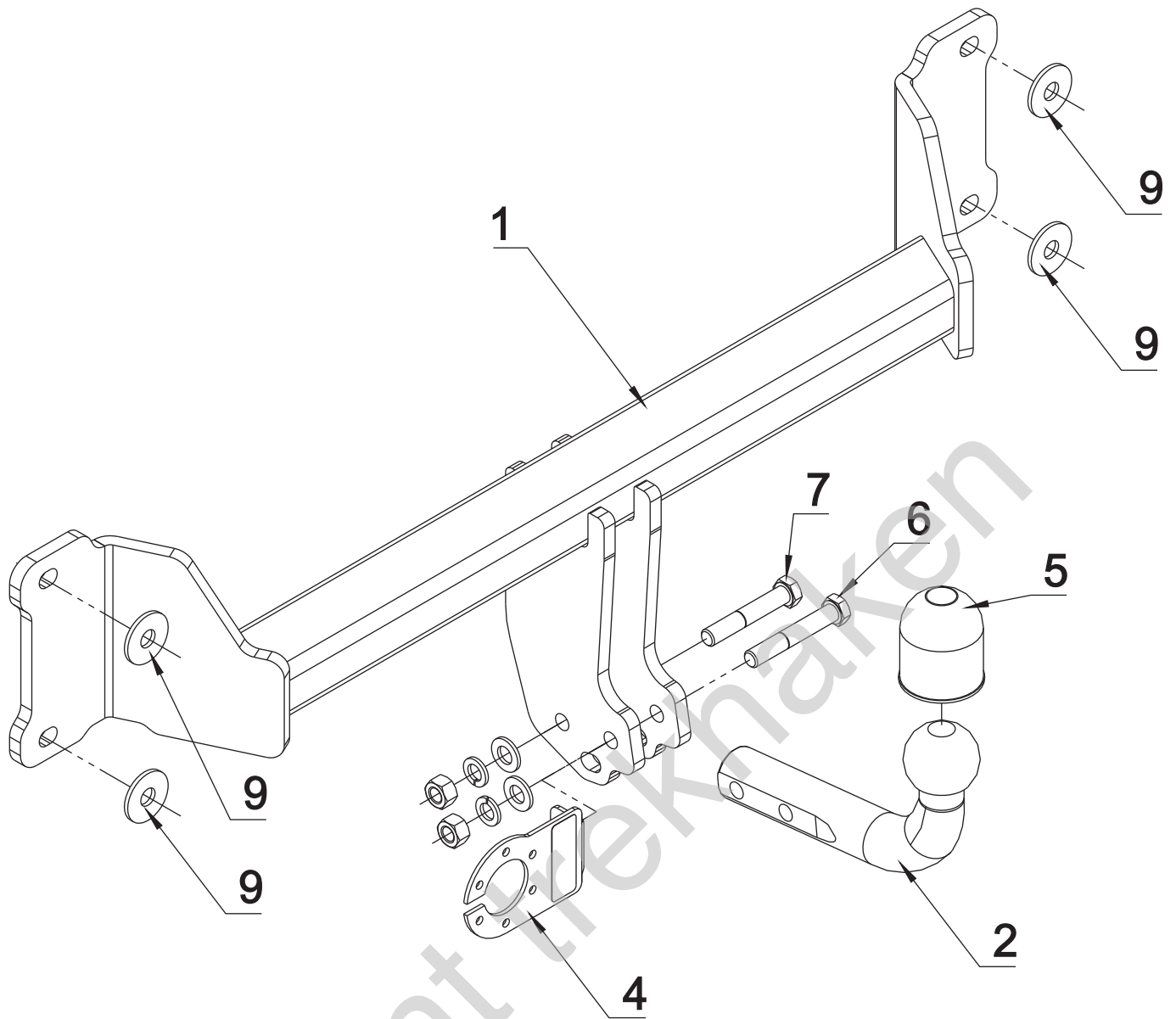


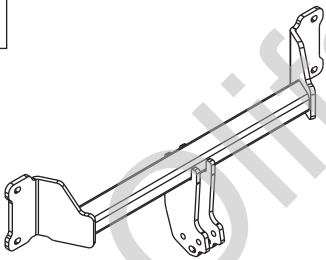


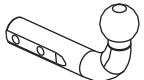

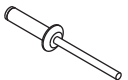
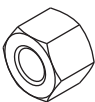
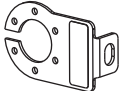

FULL VERSION INSTRUCTION

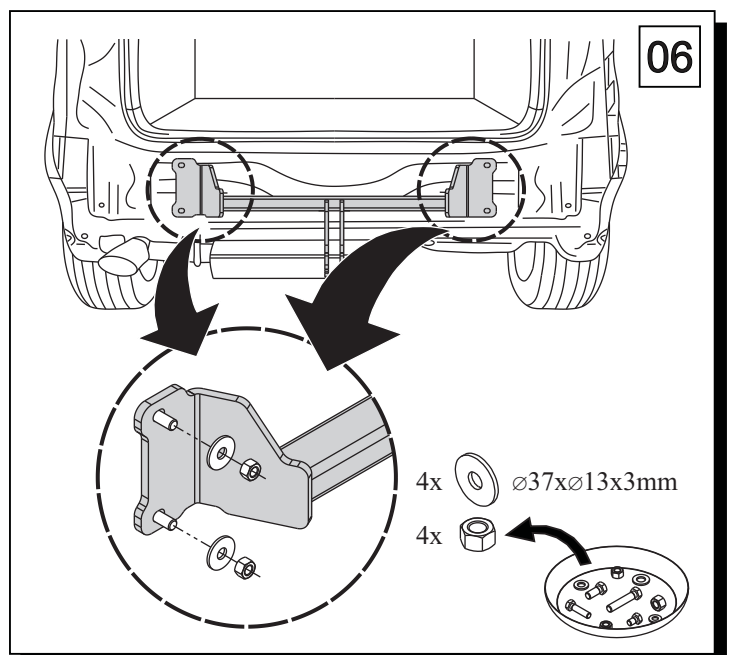
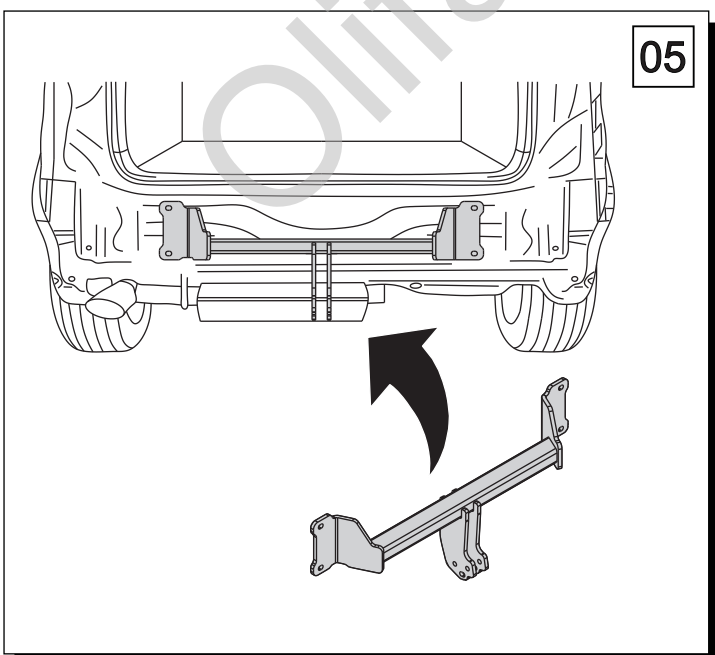
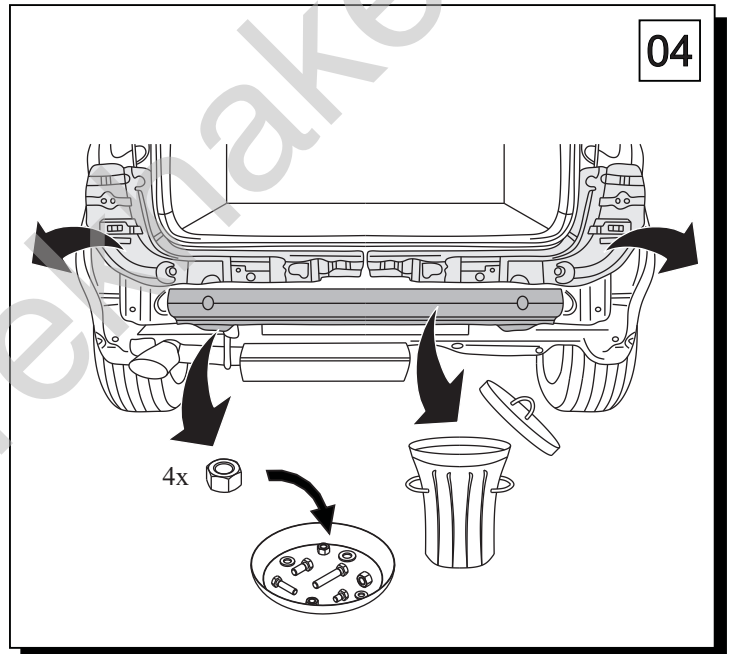
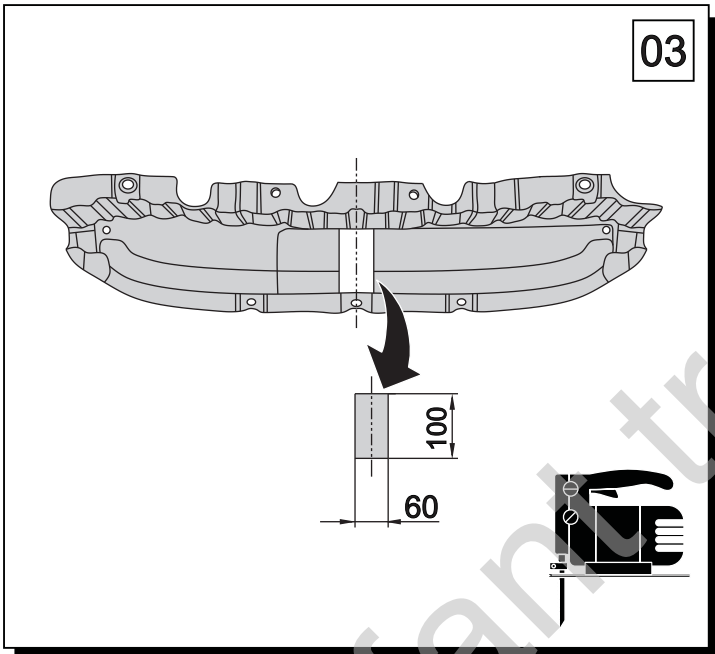
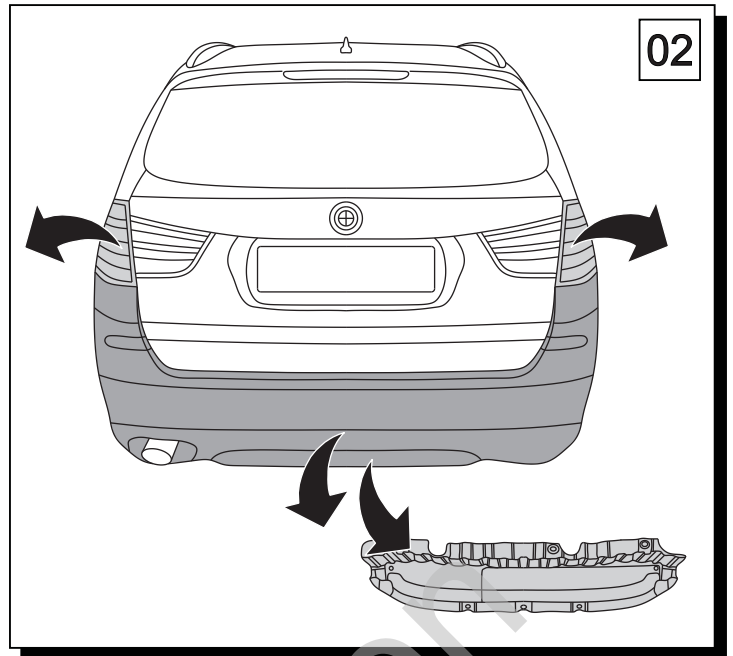
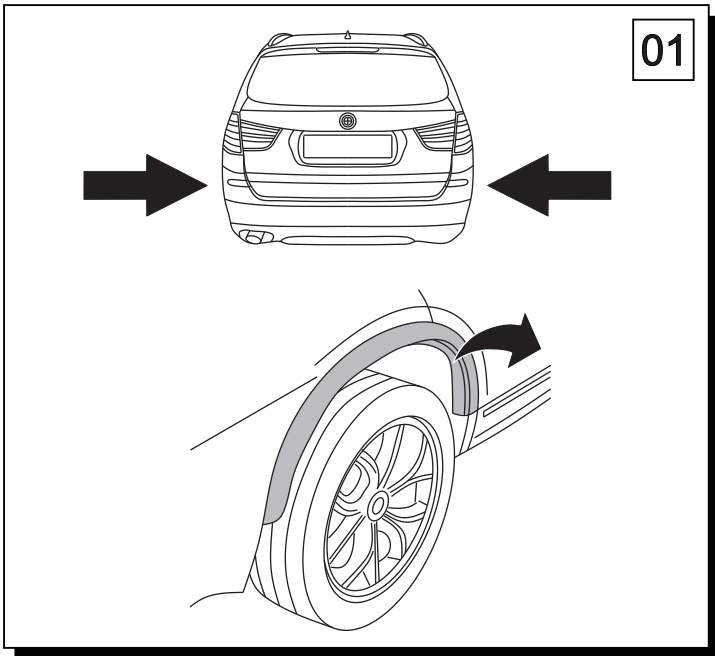


śruba	Nm	M6	M8	M10	M12	M14	M16
klasa 8.8		9,9	24	48	83	132	200
klasa 10.9		14	34	67	117	185	285

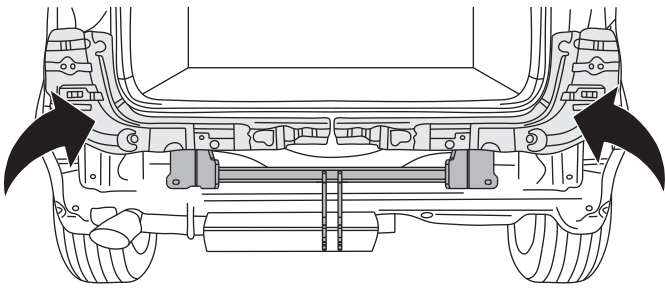
⌚ 0 km → ⌚ 1000 km



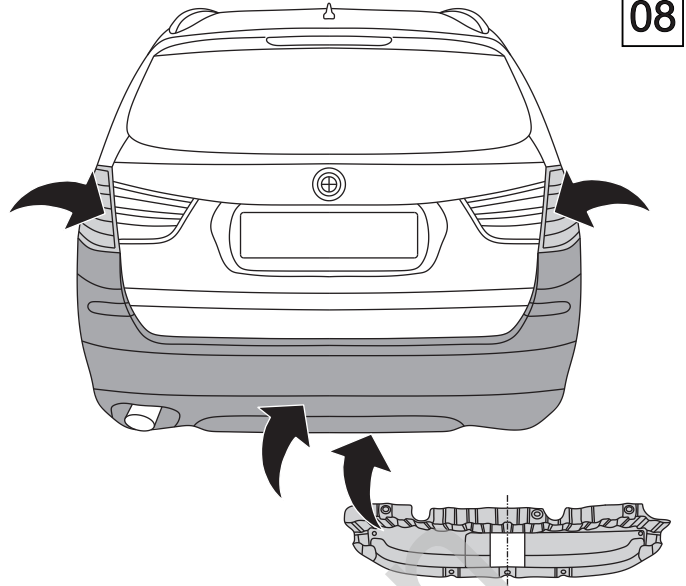
1 	x1		6 M12x75	x1	
			7 M12x70	x1	
				8 \varnothing 13	x2
				9 \varnothing 37x \varnothing 13x3 13 DIN 9021	4
			10 \varnothing 12.2	x2	
2 	x1 Art.nr-KL1B16				
3 	x4 \varnothing 5x20mm		11 M12	x2	
4 	x1 Art.nr-BL1B16				
5 	x1				



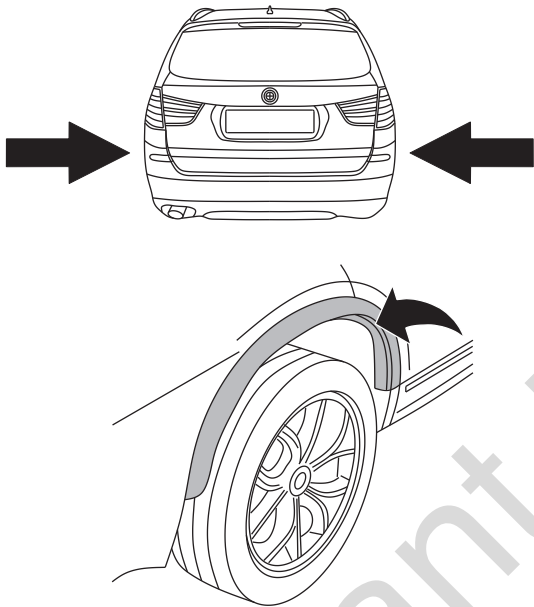
07



08



09



10

