

# AUTO-HAK Sp. z o.o.

ul. Słoneczna 16K 76-200 SŁUPSK  
POLAND

tel/fax +48 59 8 414 414; +48 59 8 414 413

e-mail: [office@autohak.com.pl](mailto:office@autohak.com.pl)

[www.autohak.com.pl](http://www.autohak.com.pl)



# AUTO-HAK

## BMW X1 (E84), ~~M Pakiet~~

Nr kat.

**B15A**



10.2009 → 09.2015

e20

e20\*94/20\*1491\*00

D

10,49 kN



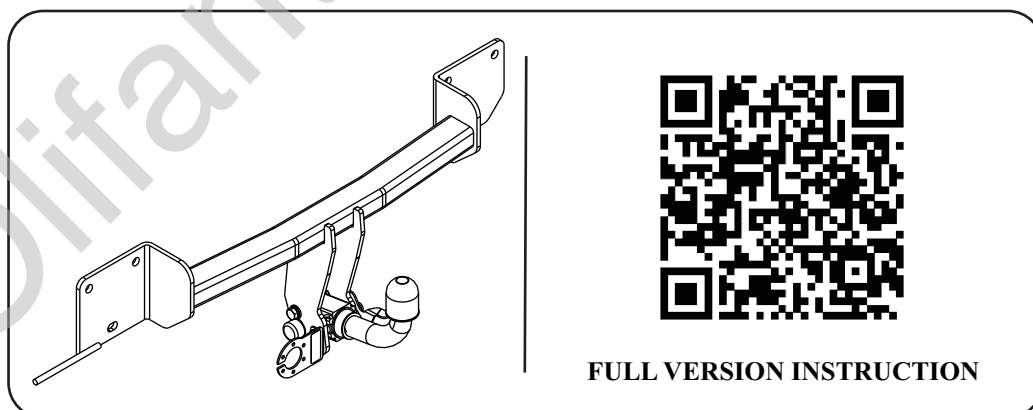
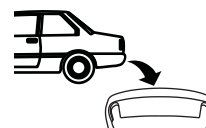
R=2000 kg



S=85 kg



2h

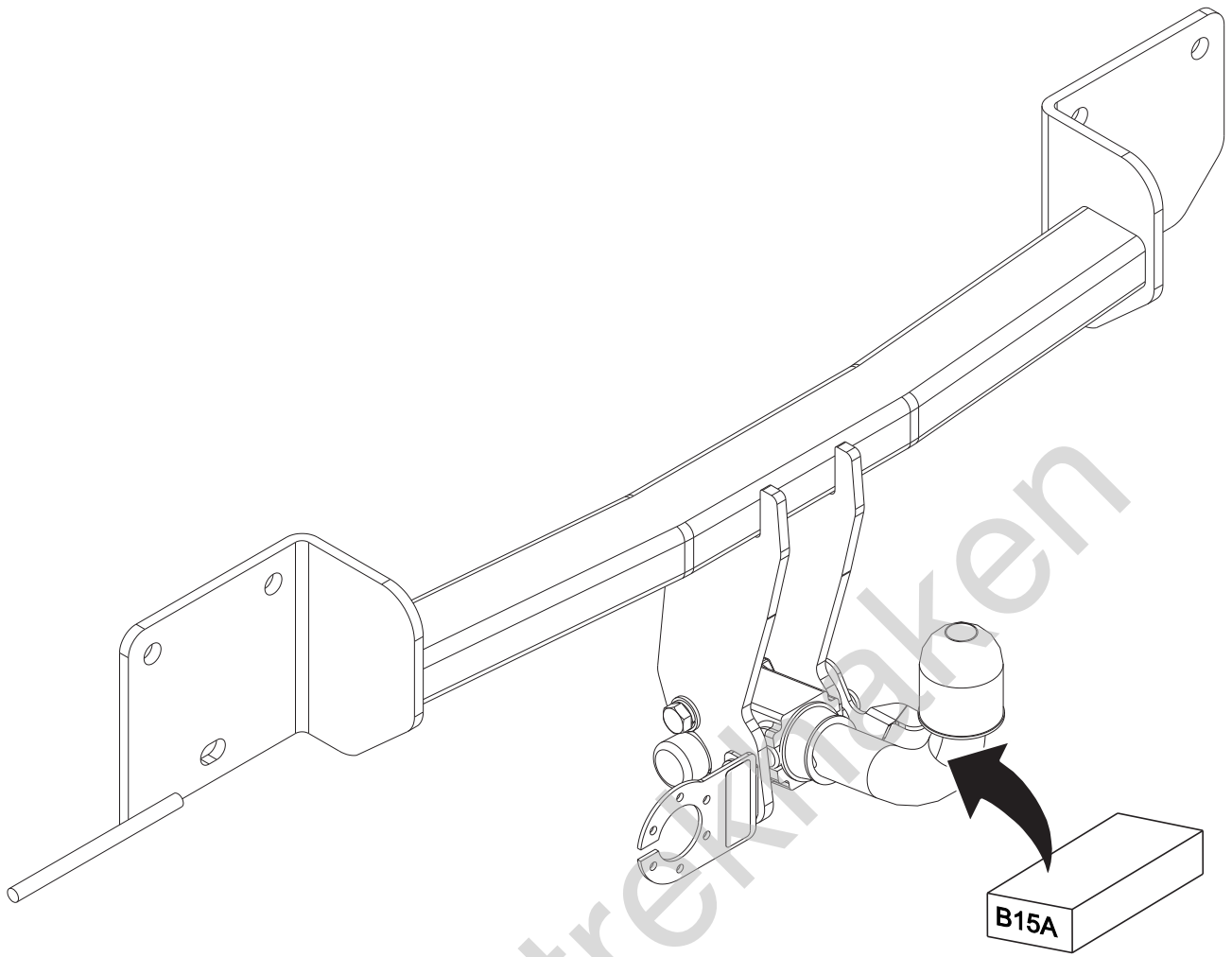


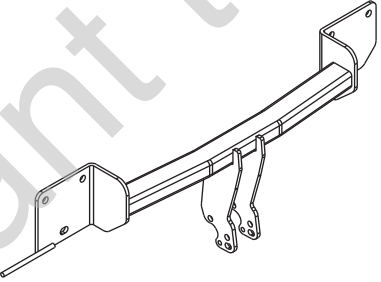
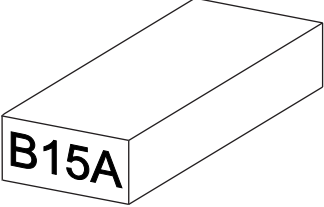
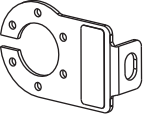

FULL VERSION INSTRUCTION

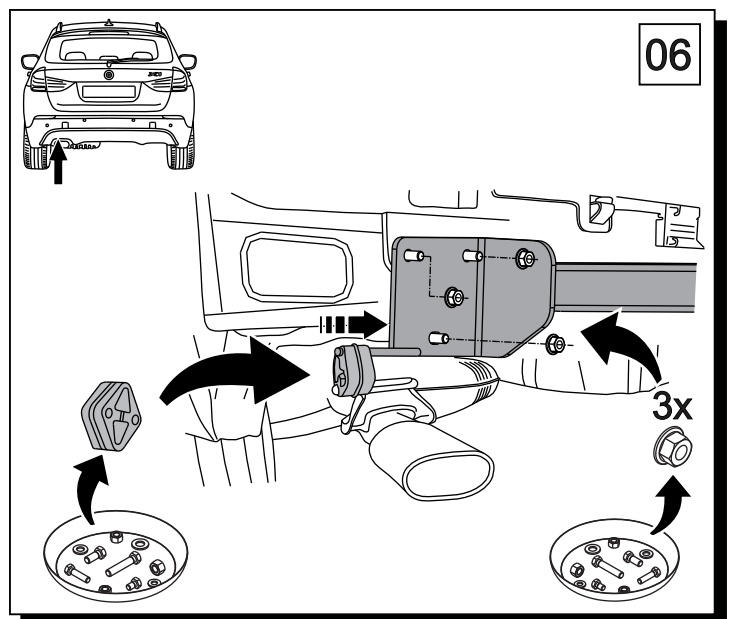
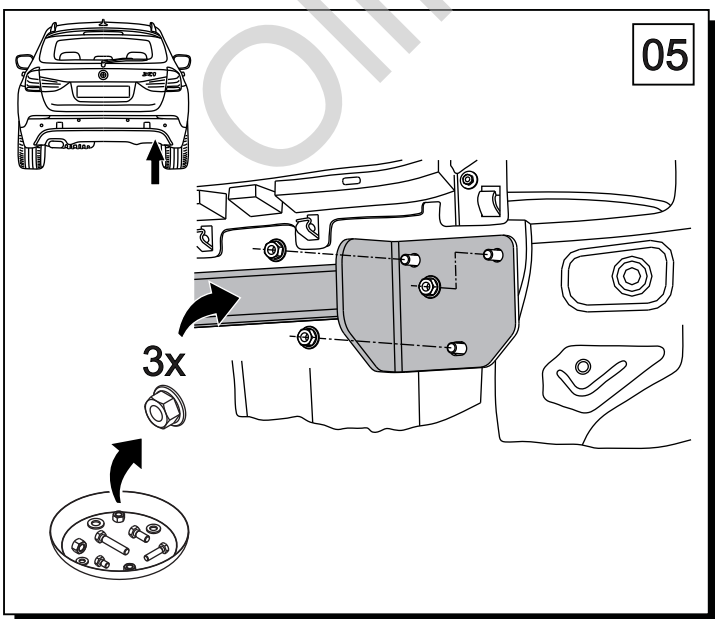
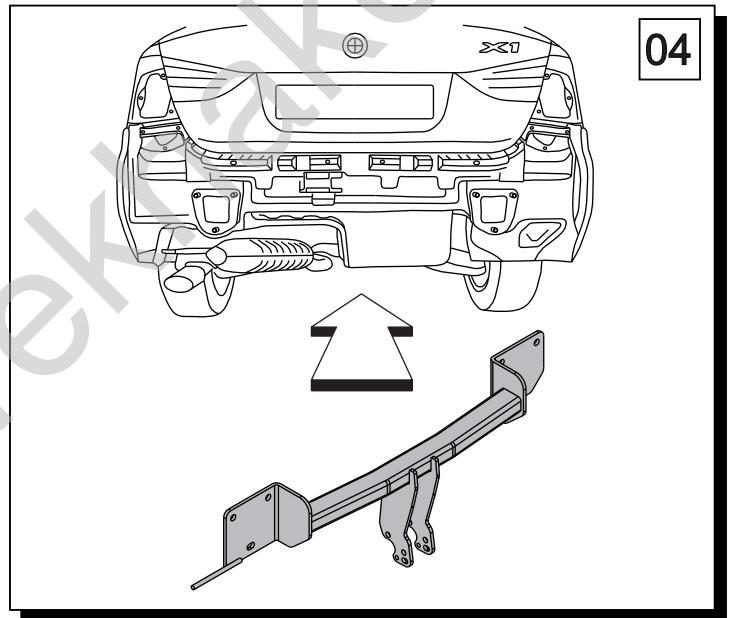
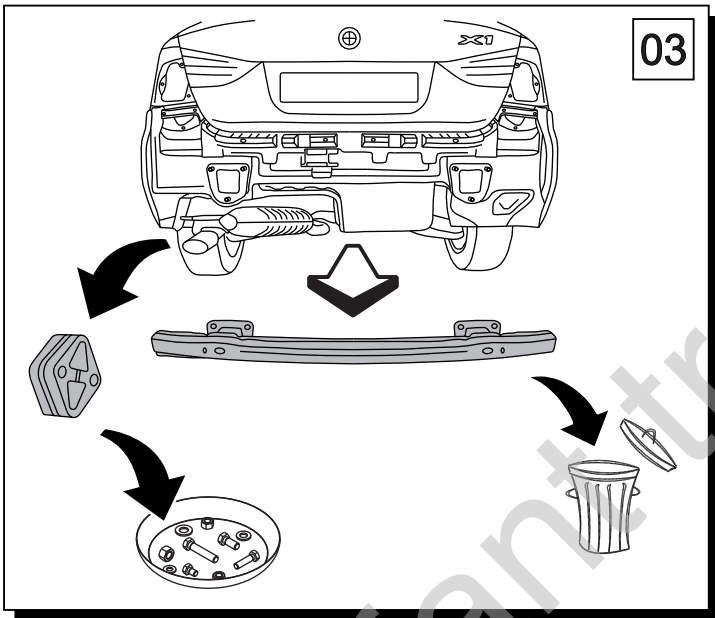
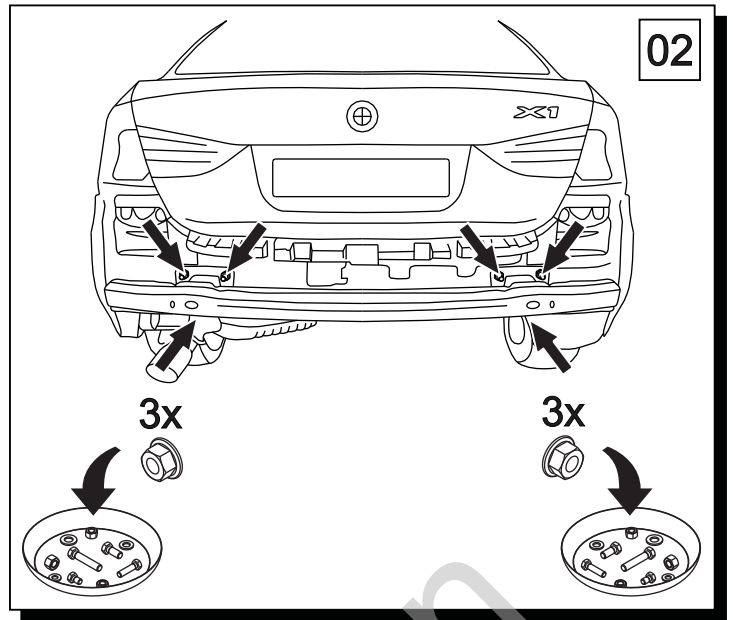
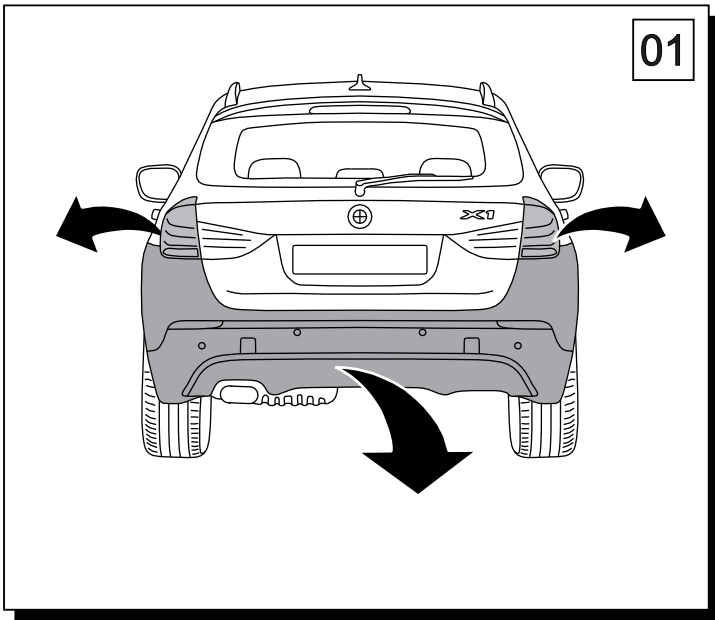


śruba	Nm	M6	M8	M10	M12	M14	M16
klasa 8.8		9,9	24	48	83	132	200
klasa 10.9		14	34	67	117	185	285

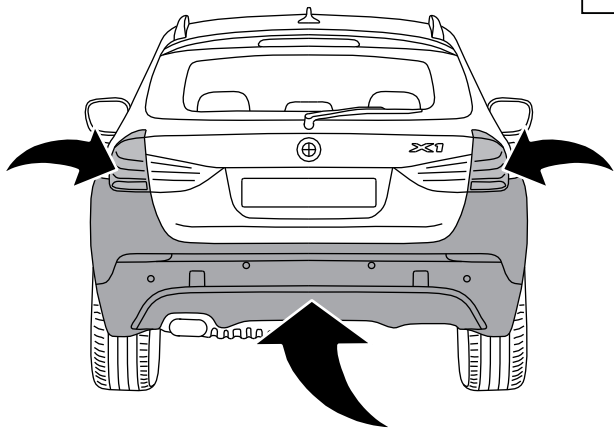
0 km → 1000 km



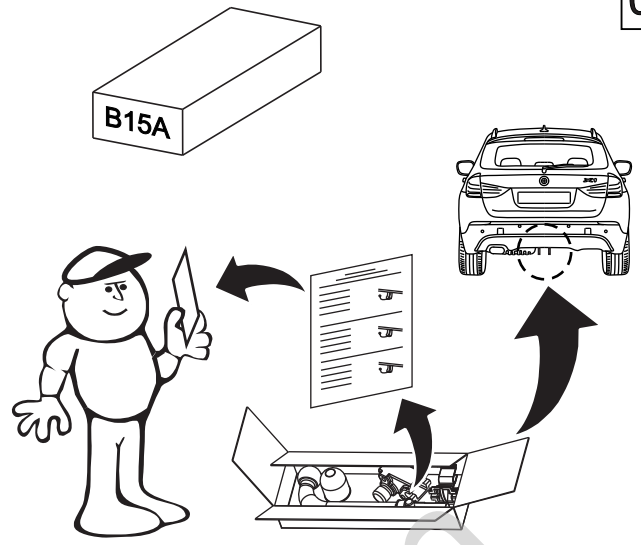
1		x1
2		x1 Art.nr-KL1B15A
3		x1 Art.nr-BL1B15A
5		x1



07



08



Olifant trekhaker