

AUTO-HAK Sp. z o.o.

ul. Słoneczna 16K 76-200 SŁUPSK
POLAND

tel/fax +48 59 8 414 414; +48 59 8 414 413

e-mail: office@autohak.com.pl

www.autohak.com.pl



AUTO-HAK



BMW X5 (E53)

~~M Pakiet~~

Cat. no:

B14A



06.2000 → 02.2007



E20-55R-01 5989



15,5 kN



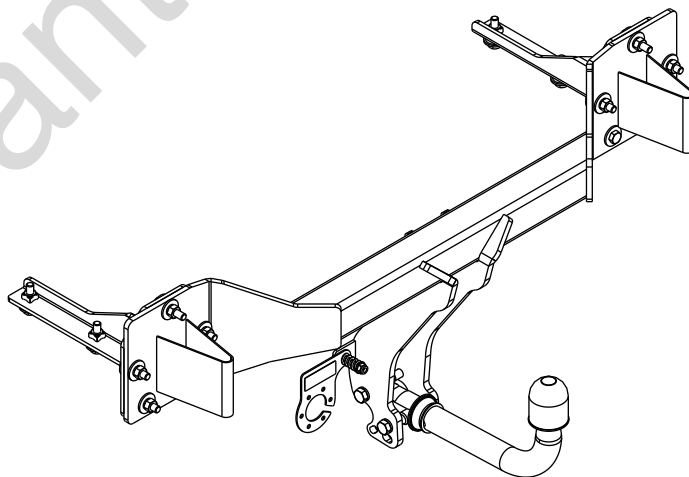
2h



R=3500 kg



S=150 kg



M6 - 11 Nm
M10 - 50 Nm
M14 - 138 Nm

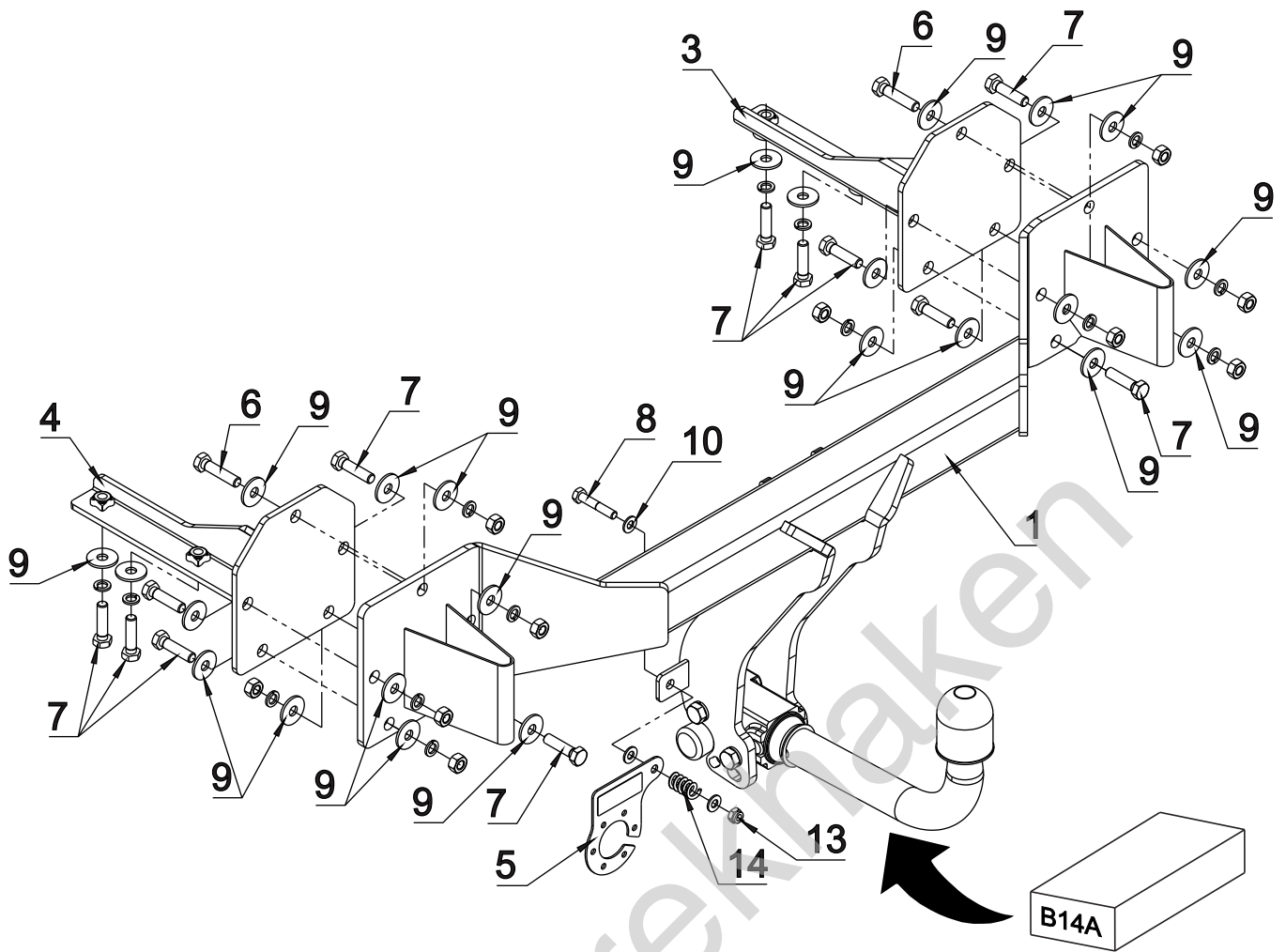
M8 - 25 Nm
M12 - 87 Nm
M16 - 210 Nm

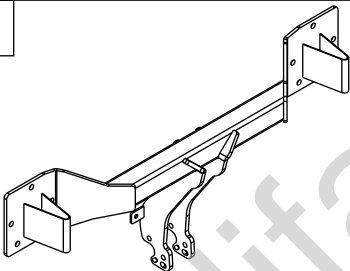

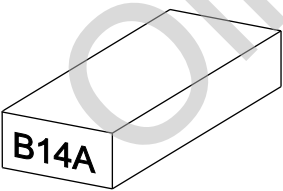

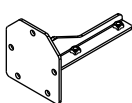

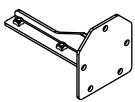


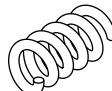


0 km →



1000 km



	x1		6	M10x45	x2
			7	M10x40	x12
	x1		8	M8x45	x1
			9	$\varnothing 30 \times \varnothing 10.5 \times 2.5$ 10 (DIN 9021)	x24
	x1		10	$\varnothing 8.4$	x3
			11	$\varnothing 10.2$	x14
	x1		12	M10	x10
			13	M8 (DIN985)	x1
	x1		14		x1
			Art.nr-KL1B14A		
Art.nr-BL12B14A					

