

# AUTO-HAK Sp. z o.o.

ul. Słoneczna 16K 76-200 SŁUPSK  
POLAND

tel/fax +48 59 8 414 414; +48 59 8 414 413

e-mail: [office@autohak.com.pl](mailto:office@autohak.com.pl)

[www.autohak.com.pl](http://www.autohak.com.pl)



# AUTO-HAK

## BMW X3 (E83) ~~M-Paket~~

Cat. no:

# B13



01.2004 → 10.2010



E20-55R-01 4294



1,5h



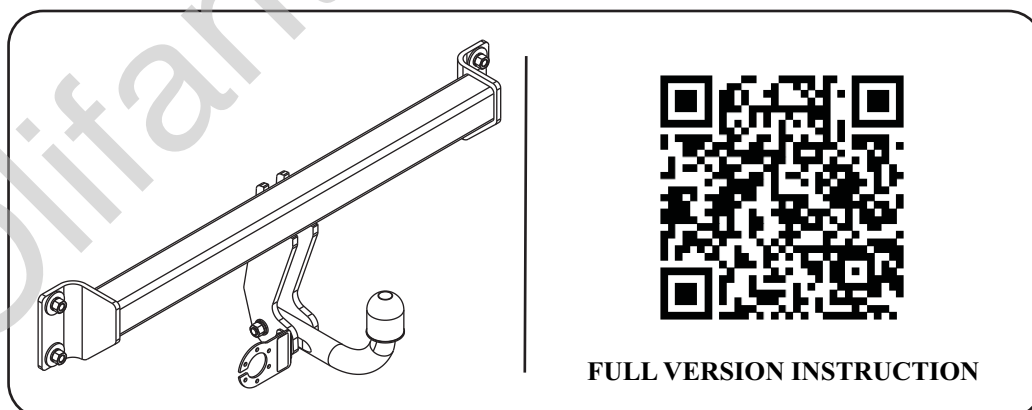
10,85 kN



R=2000 kg



S=80 kg



FULL VERSION INSTRUCTION



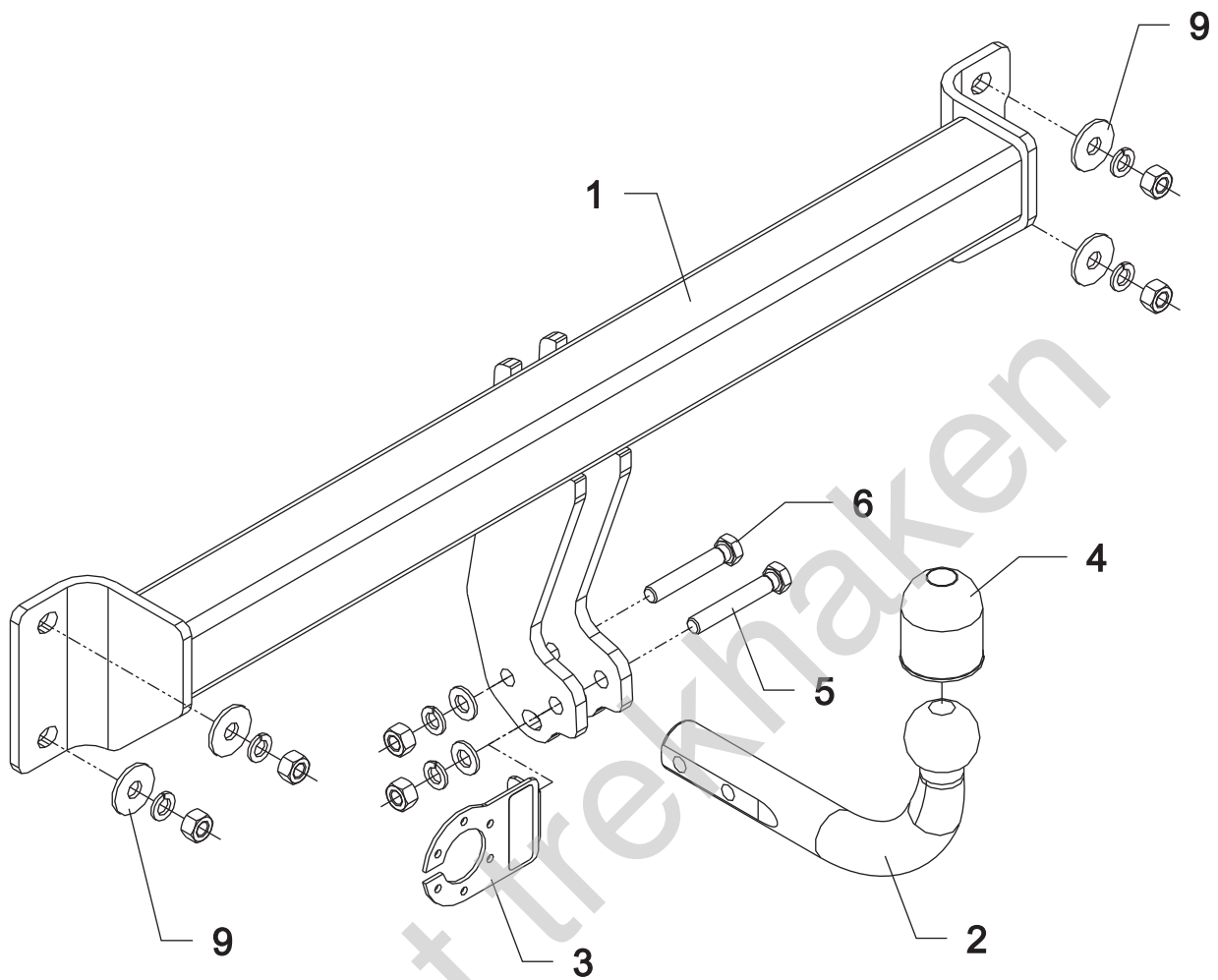
śruba	Nm	M6	M8	M10	M12	M14	M16
klasa 8.8		9,9	24	48	83	132	200
klasa 10.9		14	34	67	117	185	285

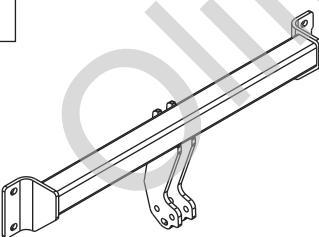



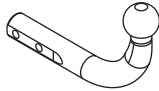

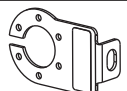





0 km →



1000 km



<b>1</b>		<b>x 1</b>		<b>5</b> M12x75	<b>x 1</b>
				<b>6</b> M12x70	<b>x 1</b>
				<b>7</b> M12	<b>x 6</b>
<b>2</b>		<b>x 1</b> Art.nr-KL1B13		<b>8</b> $\phi$ 13	<b>x 2</b>
<b>3</b>		<b>x 1</b> Art.nr-BL1B13		<b>9</b> $\phi$ 37x $\phi$ 13x3 13 – DIN 9021	<b>x 4</b>
<b>4</b>		<b>x 1</b>		<b>10</b> $\phi$ 12.2	<b>x 6</b>

