

AUTO-HAK Sp. z o.o.

ul. Słoneczna 16K 76-200 SŁUPSK
POLAND



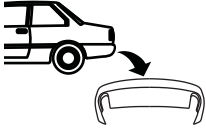




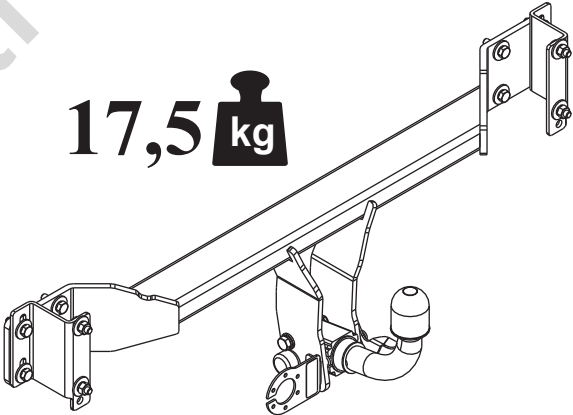



tel/fax +48 59 8 414 414; +48 59 8 414 413

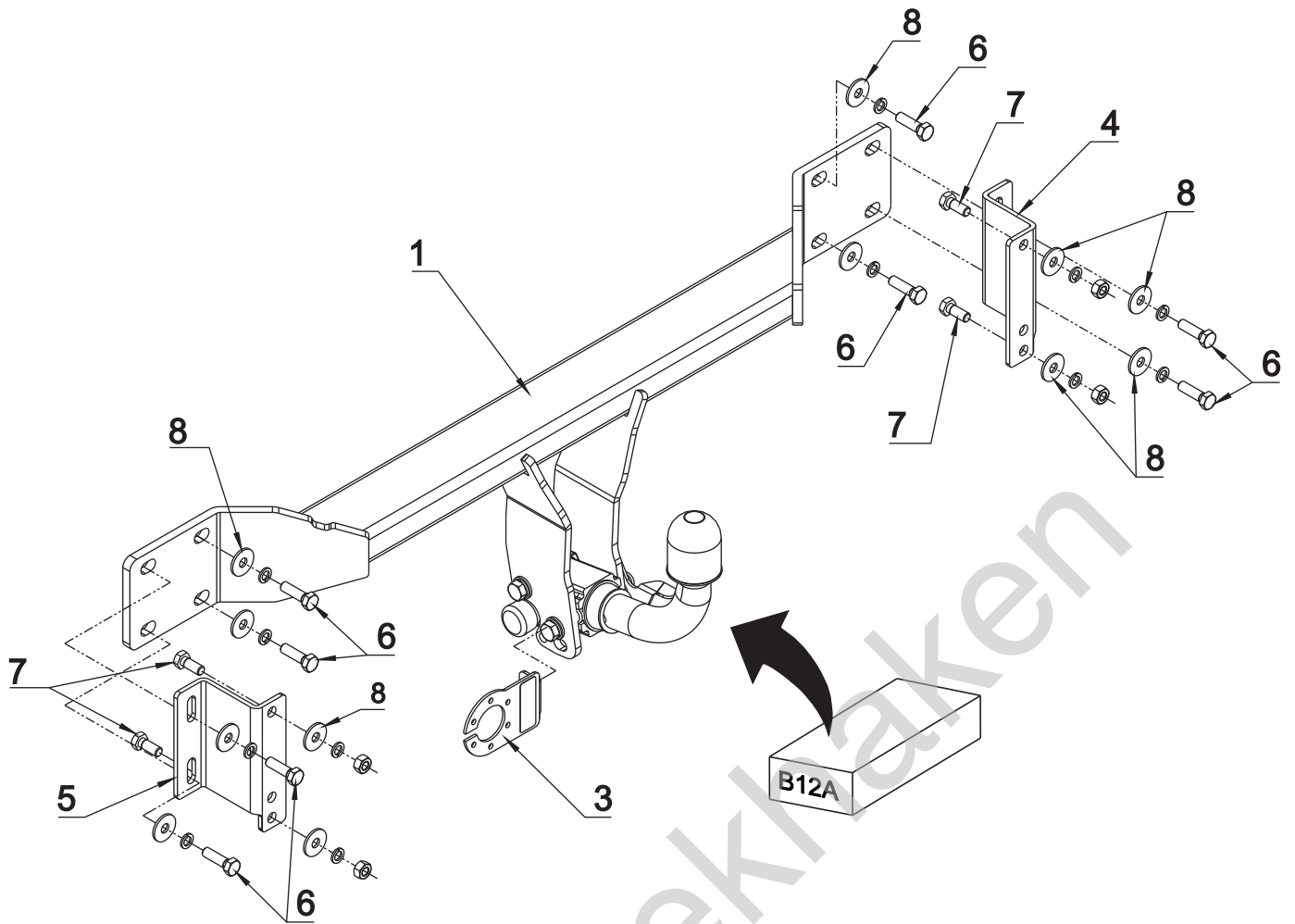
e-mail: office@autohak.com.pl

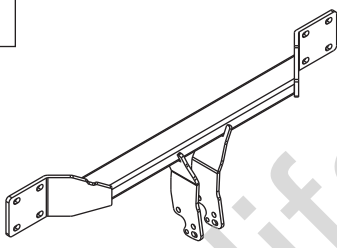

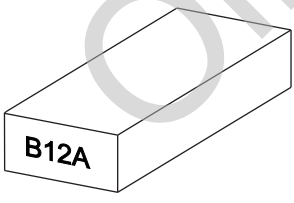


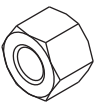
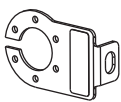
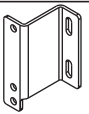
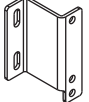
www.autohak.com.pl

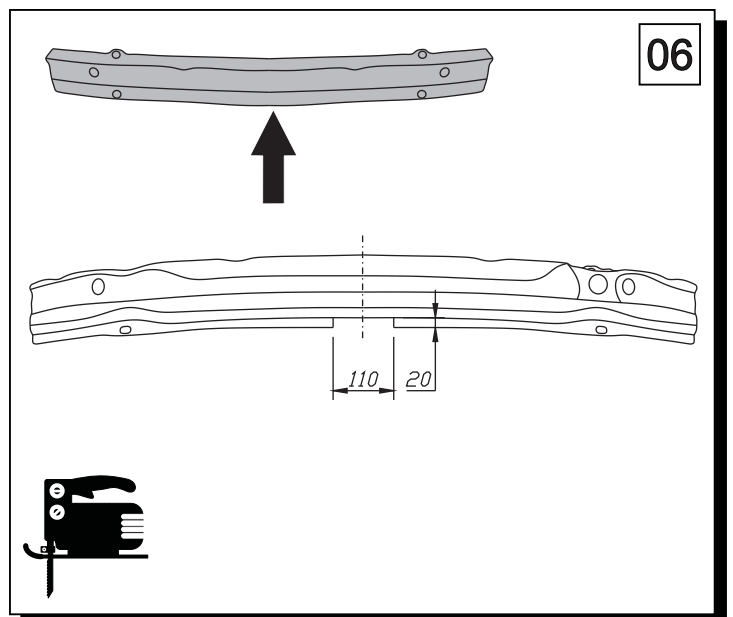
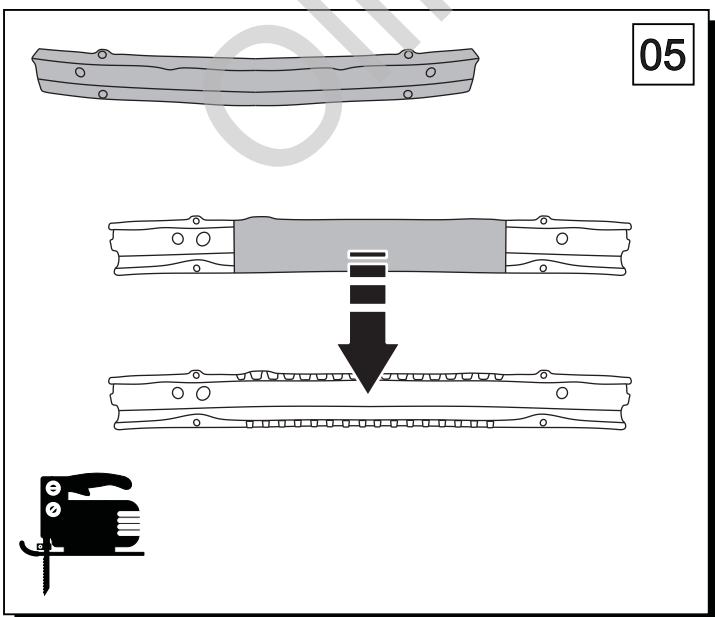
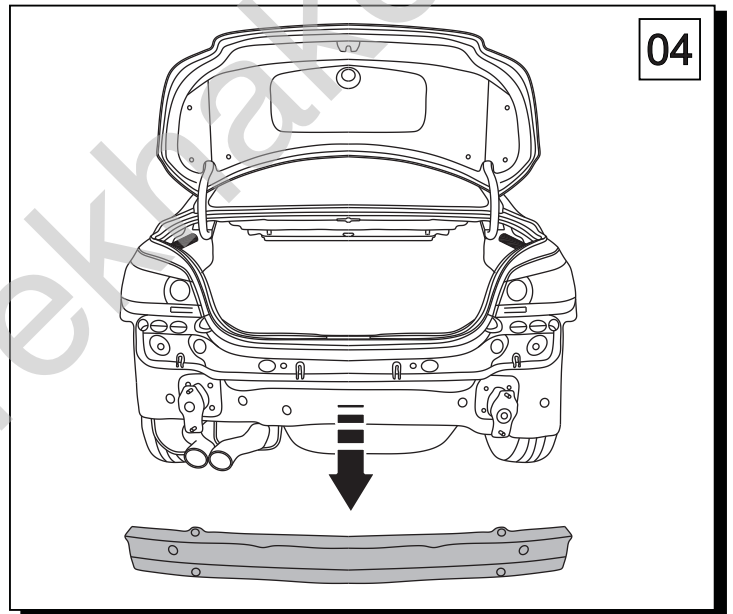
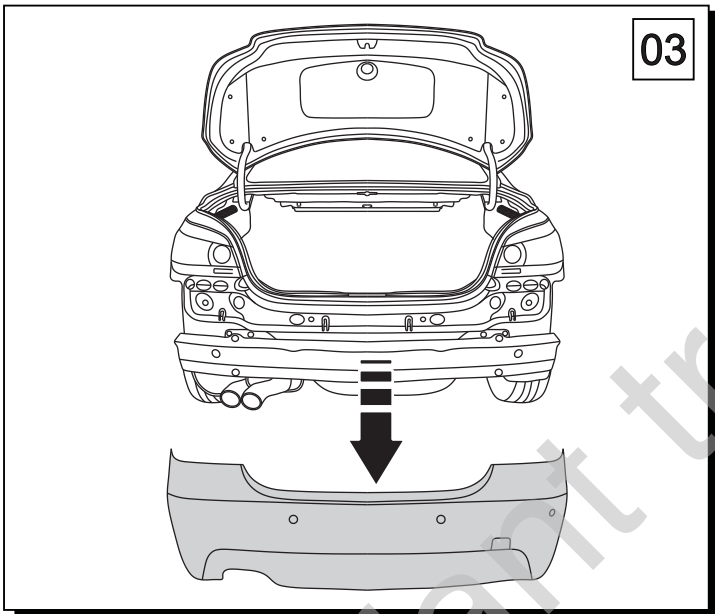
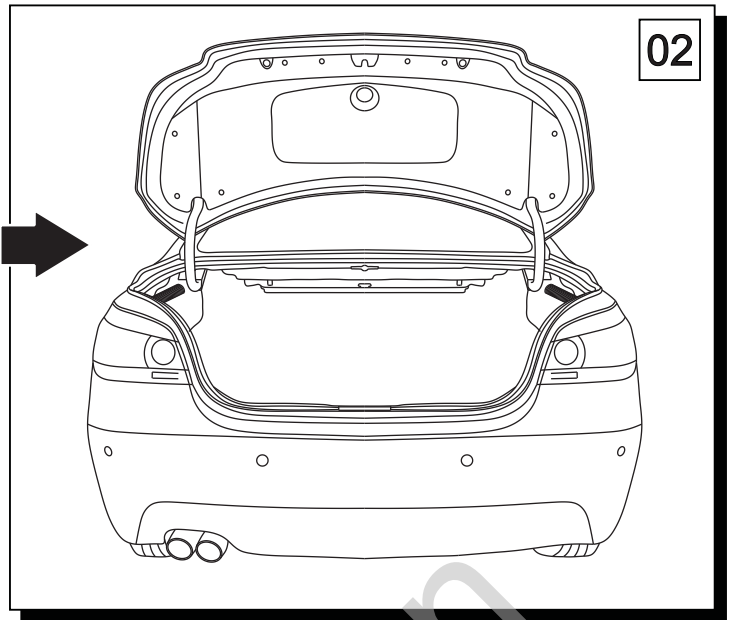
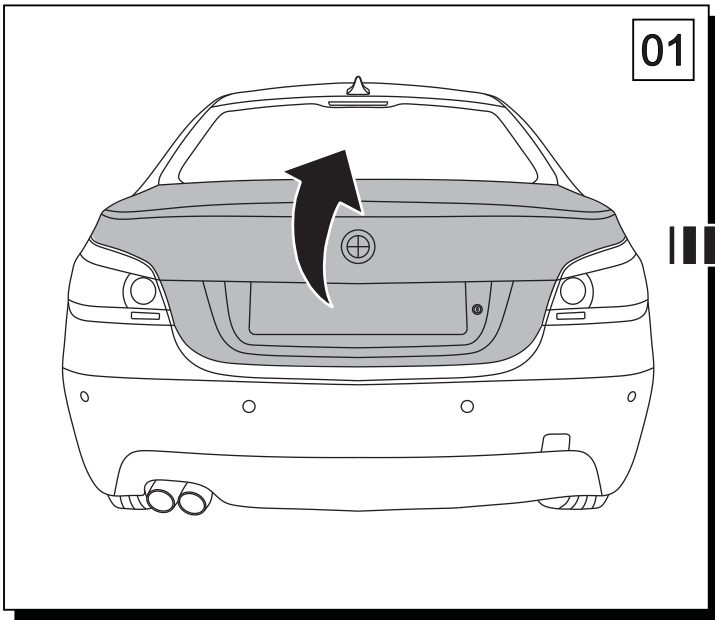


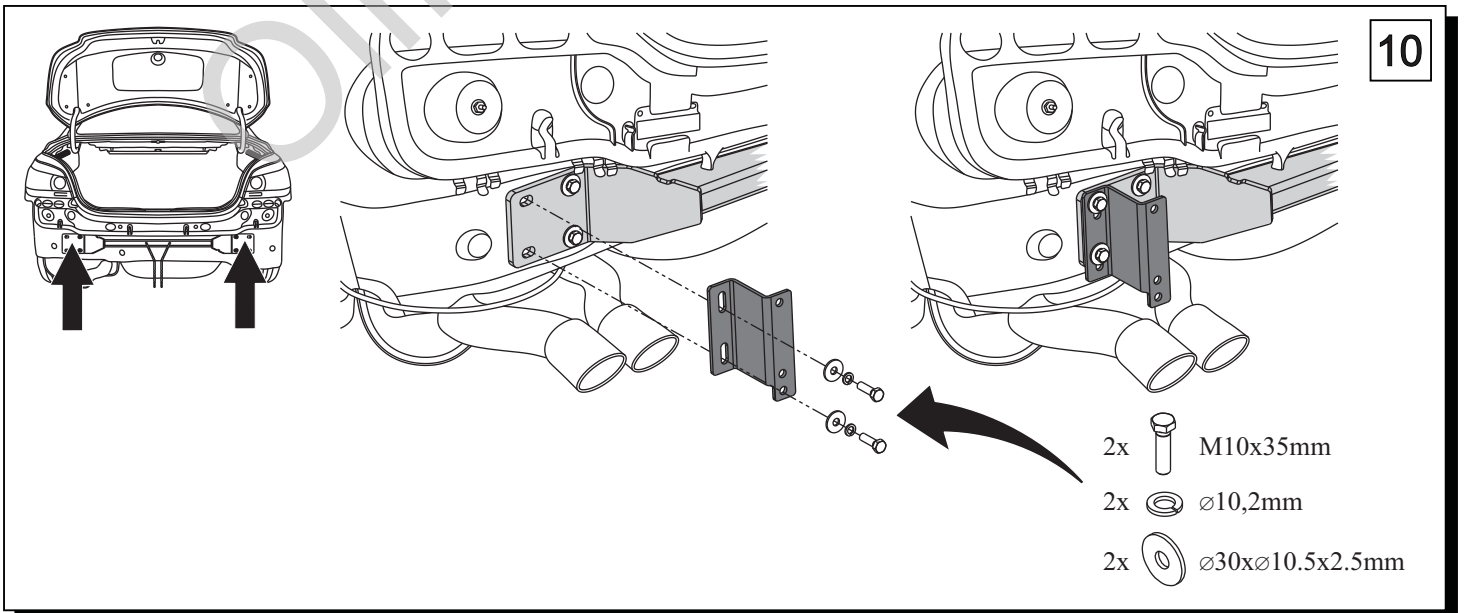
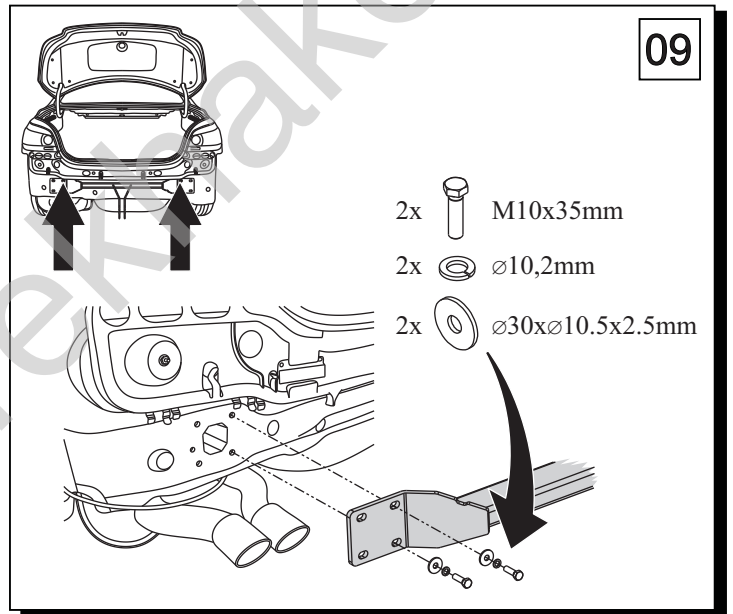
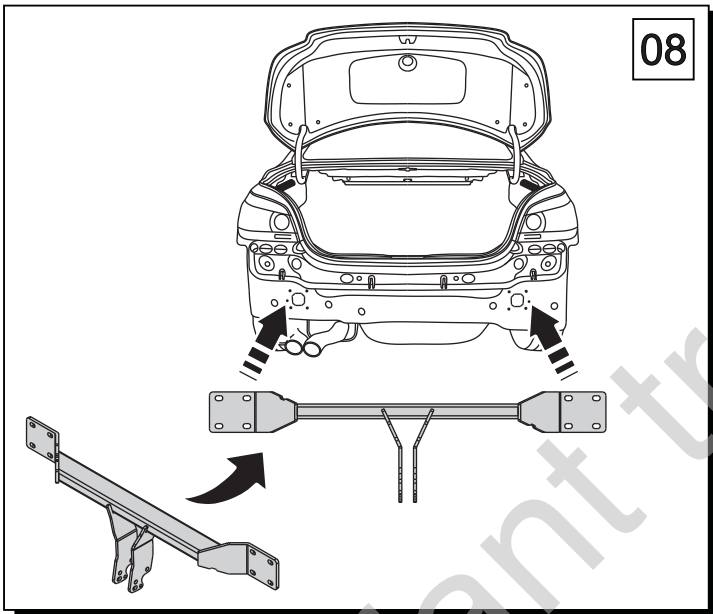
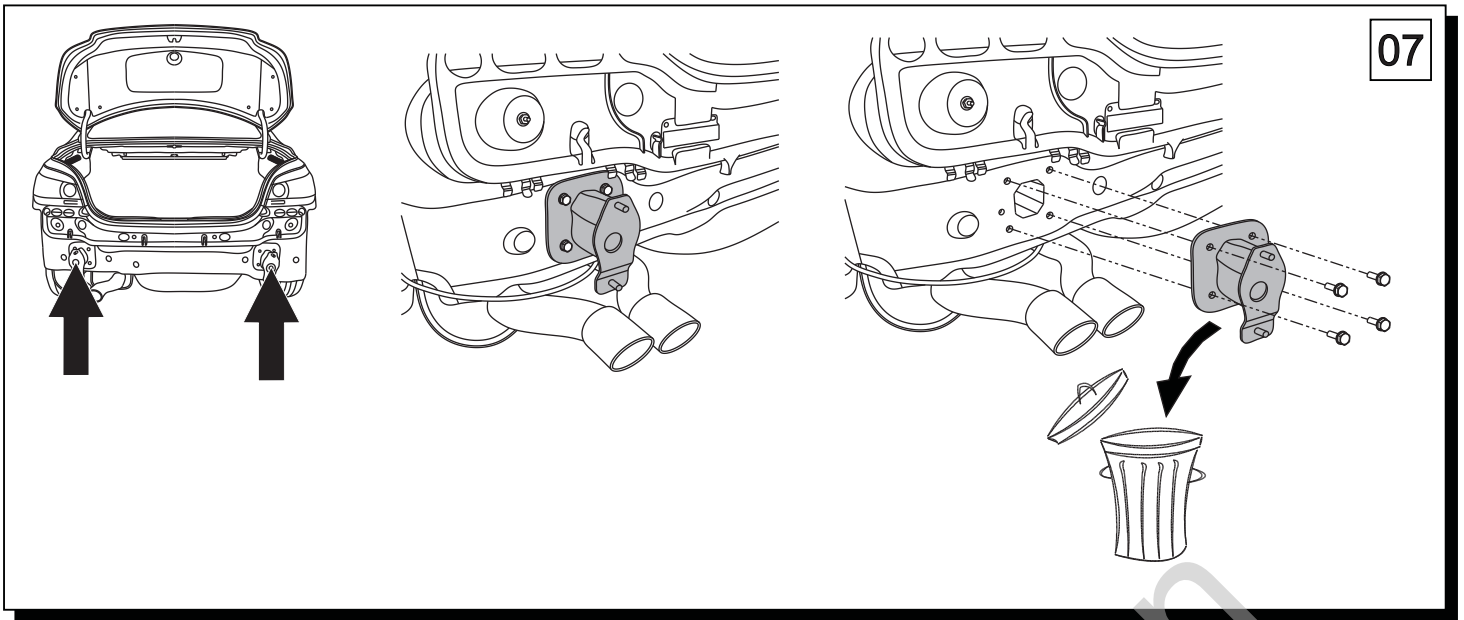
AUTO-HAK

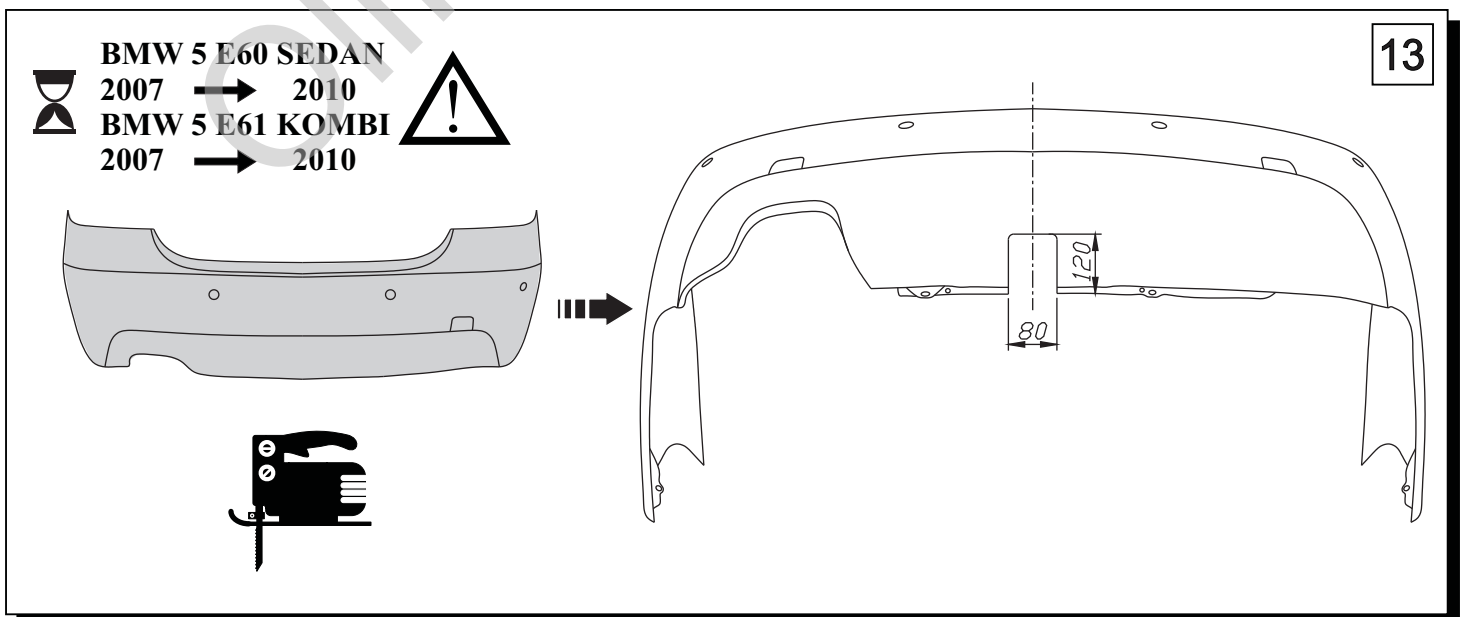
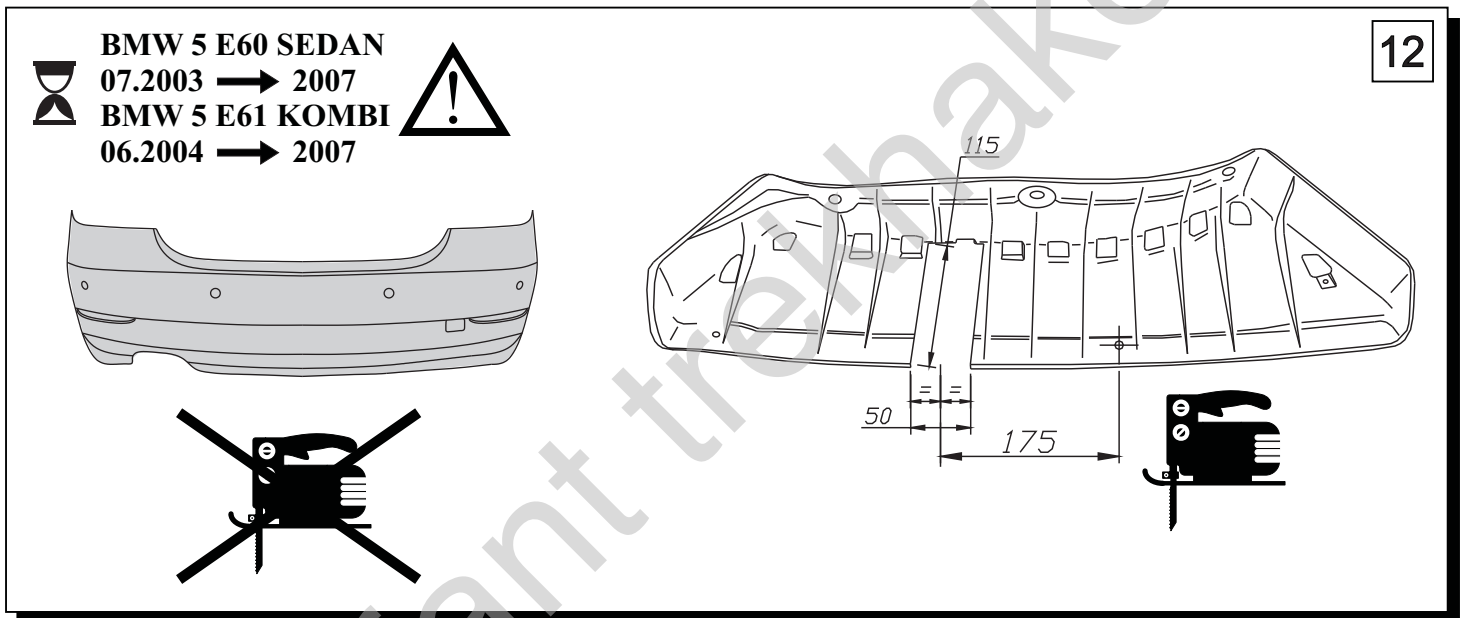
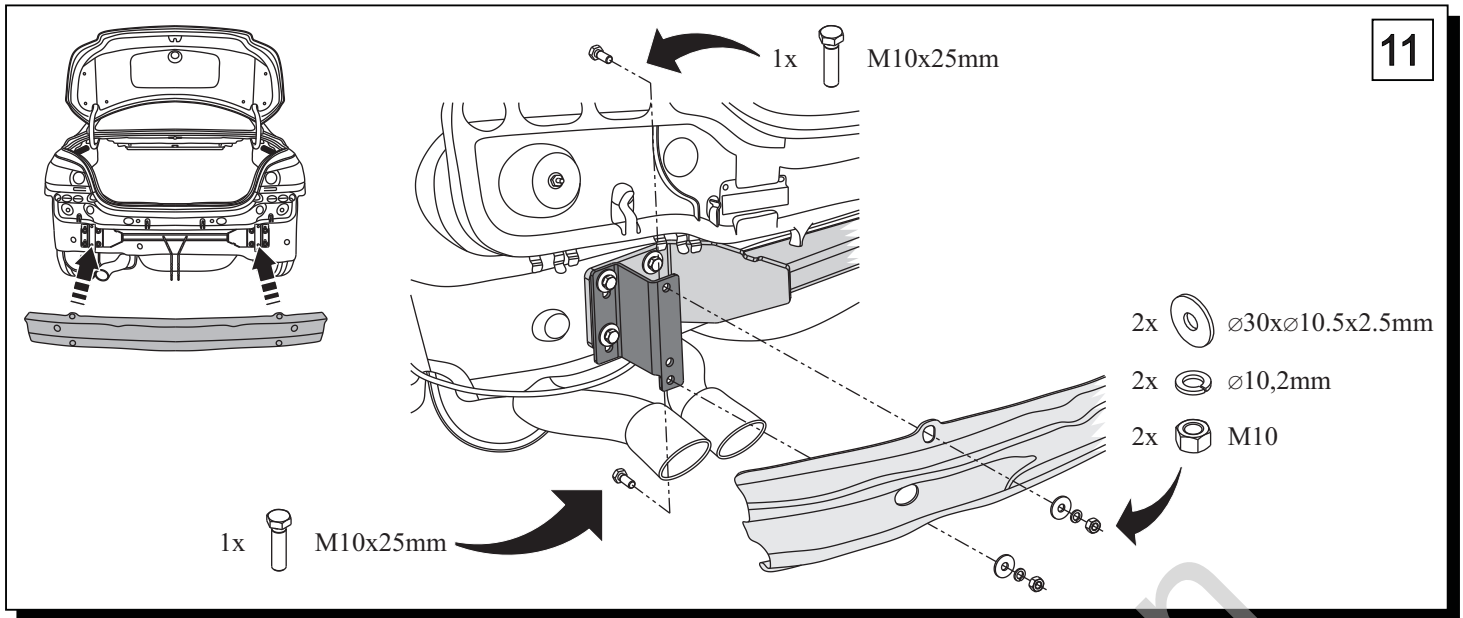
	BMW 5 E60 4D, M Pakiet, 4x4 MS ⌚ 07.2003 → 02.2010	Cat. no: B12A
	BMW 5 E61 Touring KOMBI M Pakiet MS ⌚ 06.2004 → 08.2010	 2h
e20	e20*94/20*0597*00	 <input checked="" type="checkbox"/>
D	11,4 kN	 <input type="checkbox"/> ... → 2007
	R=2000 kg	<input checked="" type="checkbox"/> 2007 → 2010
	S=90 kg	
	17,5 kg 	
		
	M6 - 11 Nm M10 - 50 Nm M14 - 138 Nm	M8 - 25 Nm M12 - 87 Nm M16 - 210 Nm
	 0 km →  1000 km	

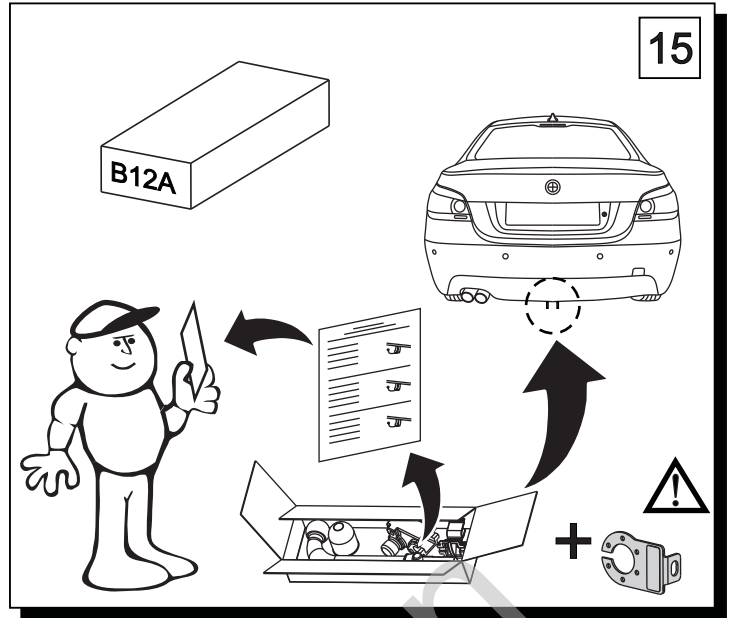
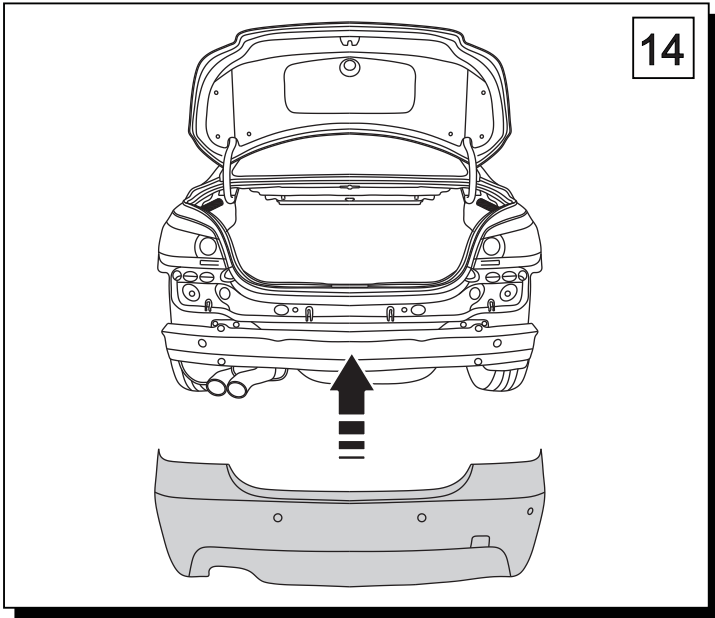


1		x1		6	M10x35	x8	
				7	M10x25	x4	
2		x1		8	$\varnothing 30 \times \varnothing 10.5 \times 2.5$ 10 (DIN 9021)	x12	
					9	$\varnothing 10.2$	x12
						10	M10
Art.nr-KL1B12A							
3		x1					
Art.nr-BL1B12A							
4		x1					
5		x1					









Olifant trekhaker