

AUTO-HAK Sp. z o.o.

ul. Słoneczna 16K 76-200 SŁUPSK
POLAND

tel/fax +48 59 8 414 414; +48 59 8 414 413

e-mail: office@autohak.com.pl

www.autohak.com.pl



AUTO-HAK

BMW 1 (E81/E87)

3/5D, ~~M Pakiet, 135i~~

⌚ 09.2004 → 08.2011

BMW 3 (E90)

4D, ~~M Pakiet, M3/335i/335d~~

⌚ 02.2005 → 02.2012

BMW 3 (E91) TOURING

KOMBI, ~~M Pakiet~~

⌚ 09.2005 → 08.2012


Cat. no:

B11A

1,5h

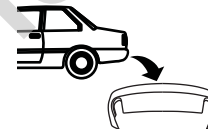
e20 e20*94/20*0467*00

D 10,35 kN

 R=1965 kg

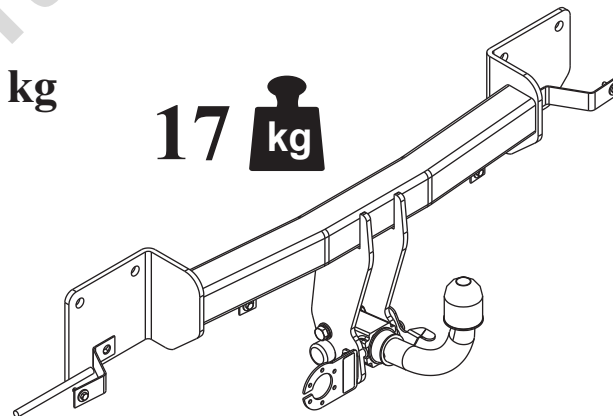
 S=80 kg

17 kg



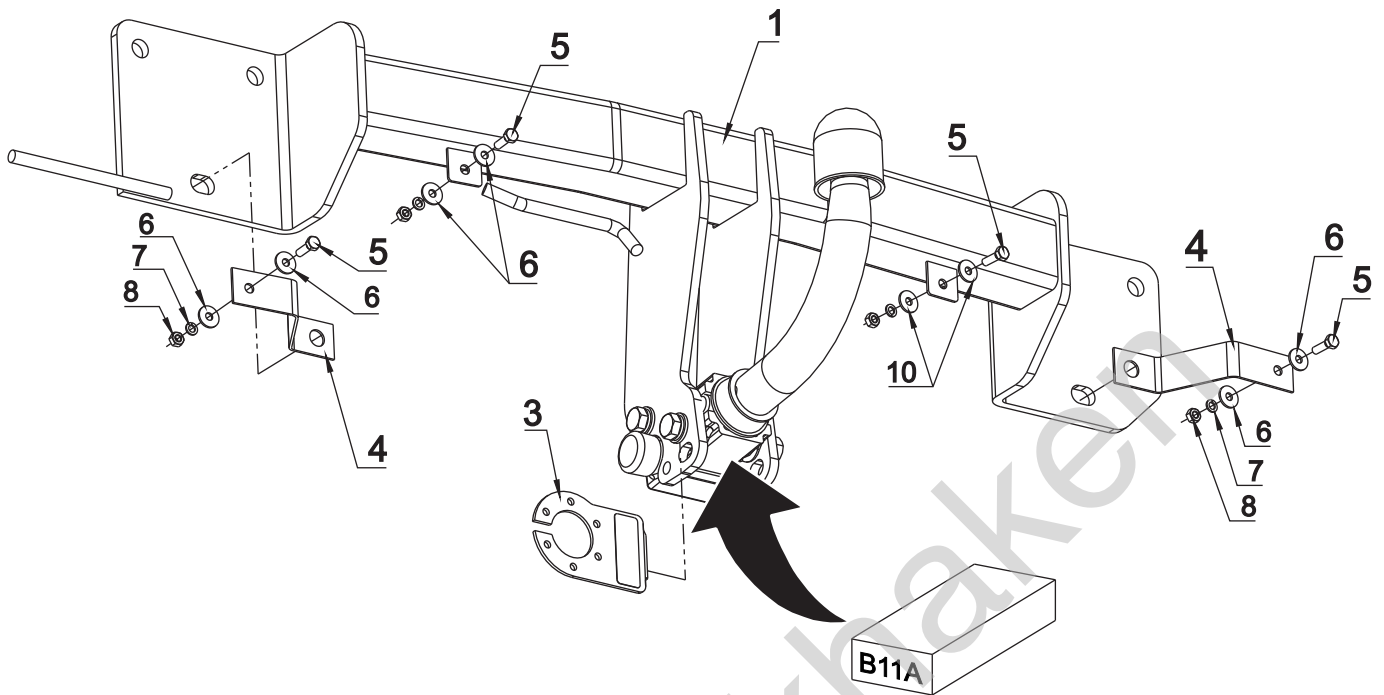
BMW 1

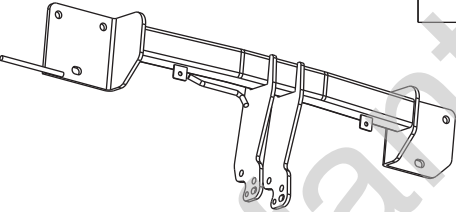


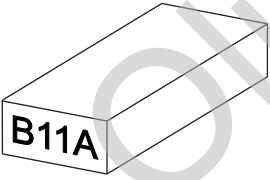

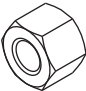
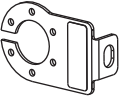
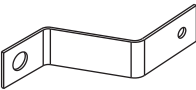
BMW 3

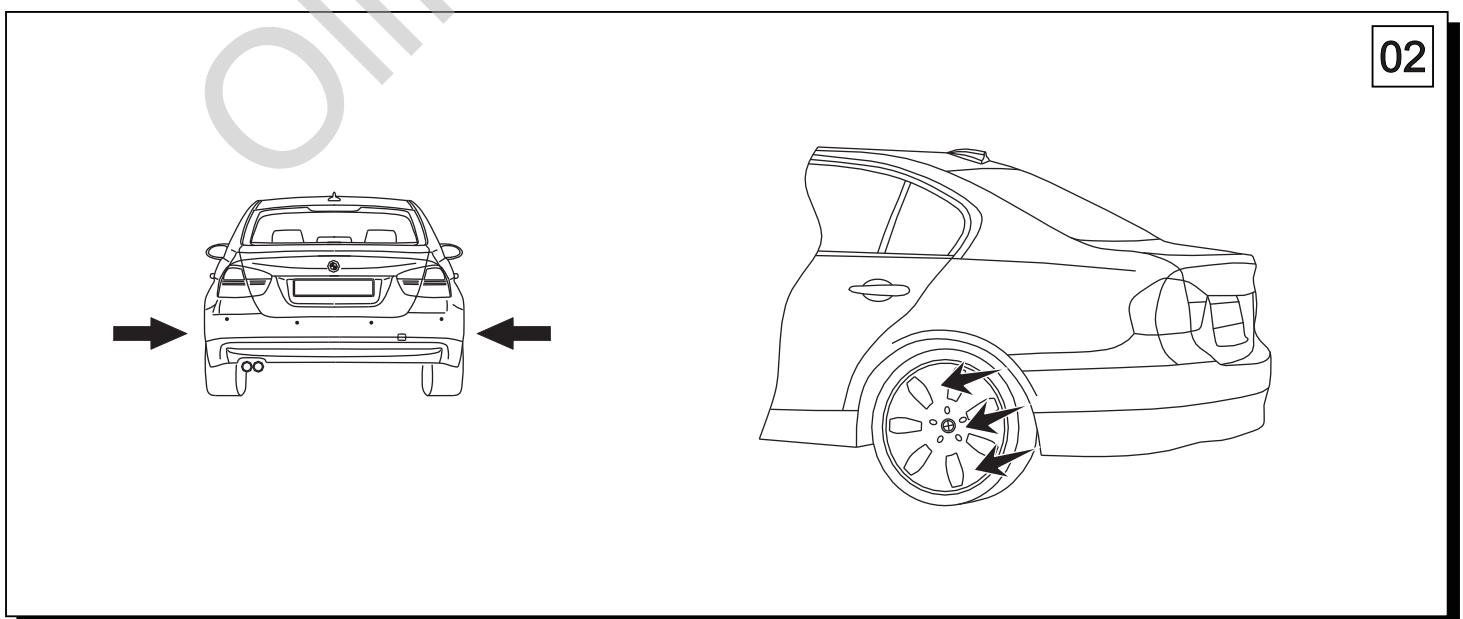
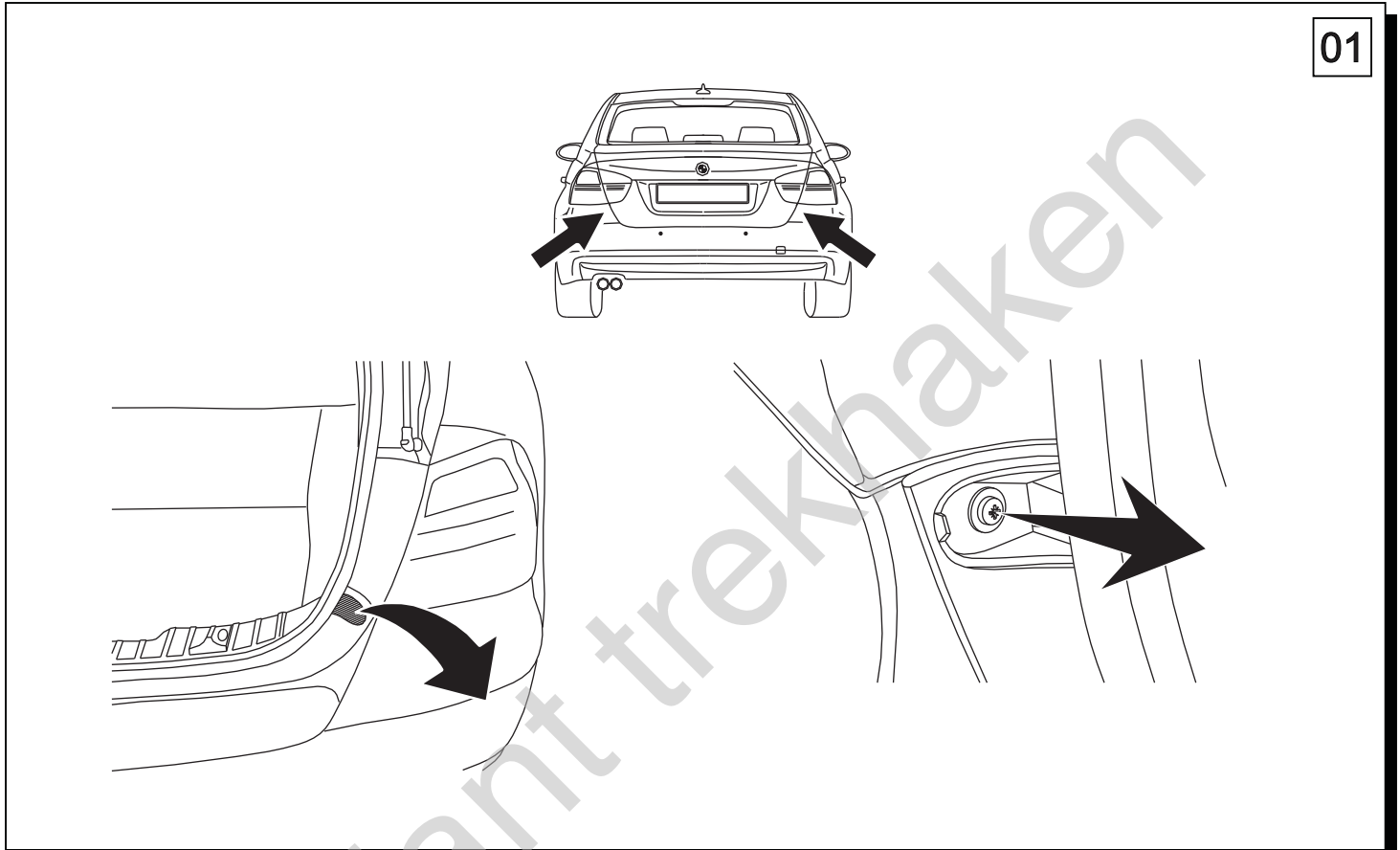
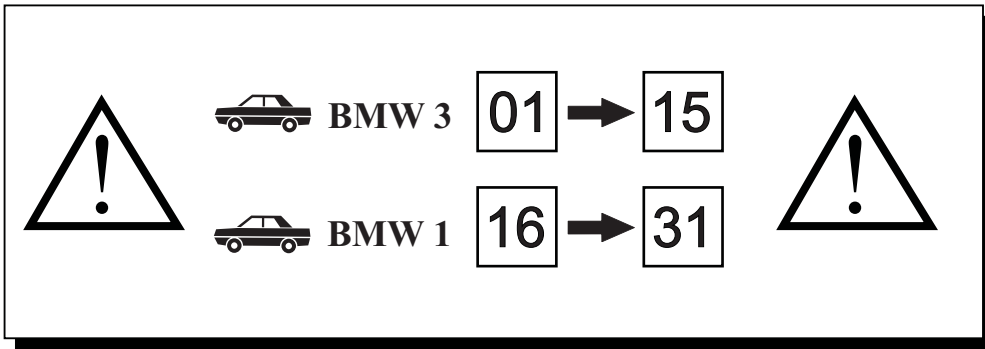


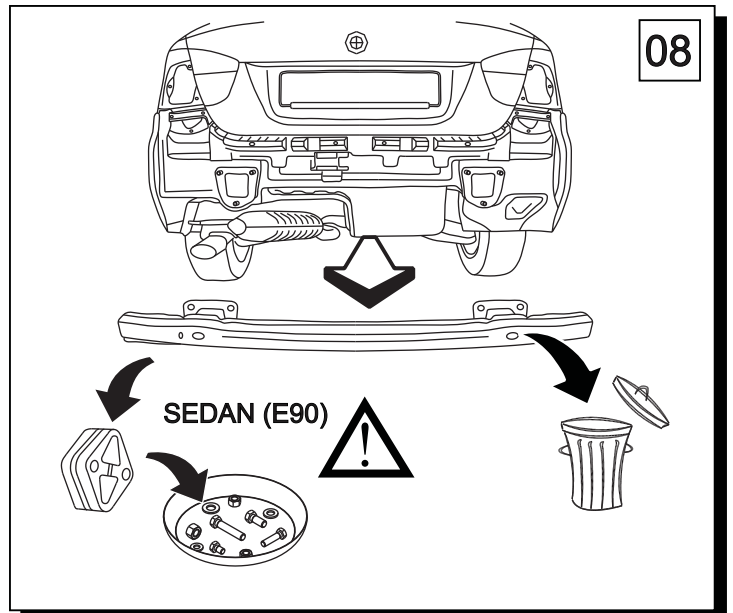
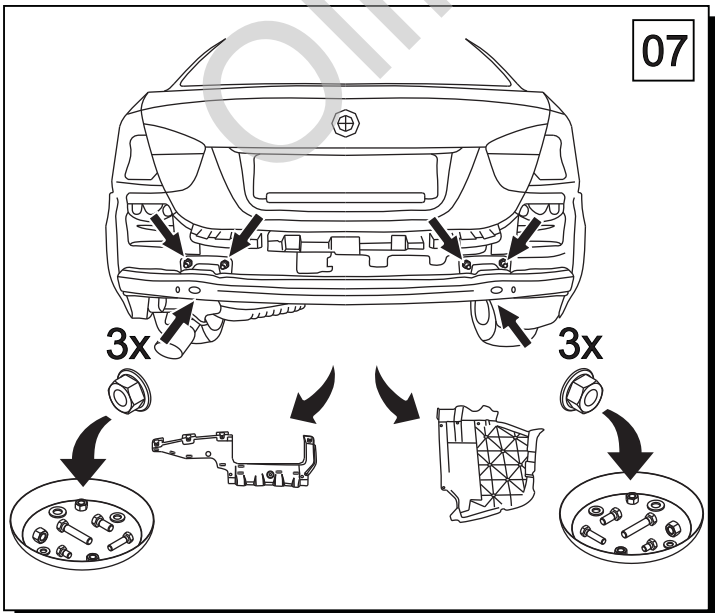
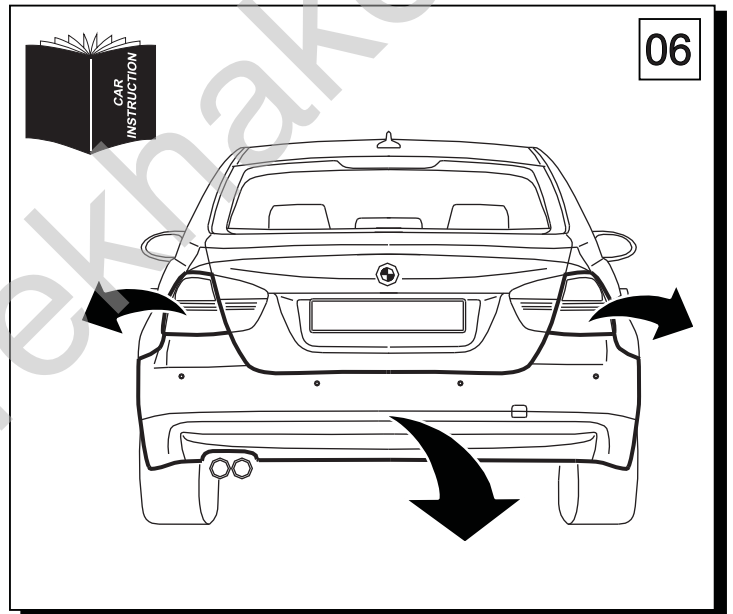
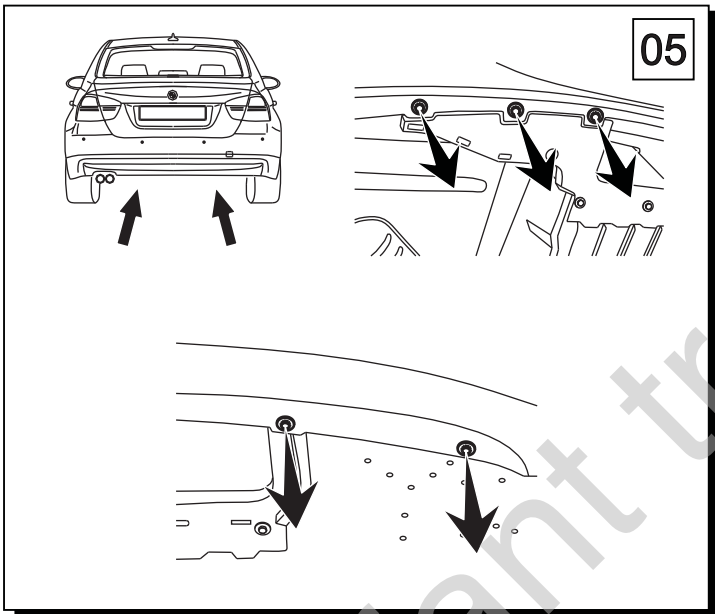
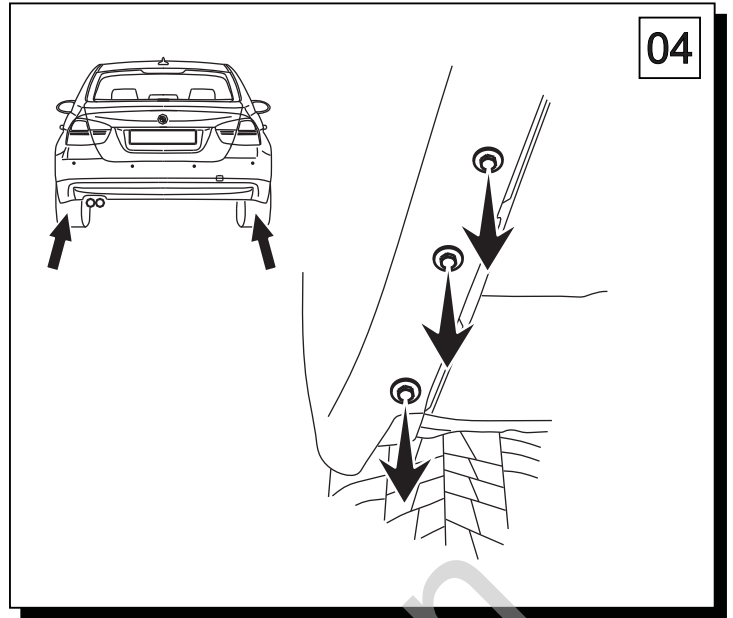
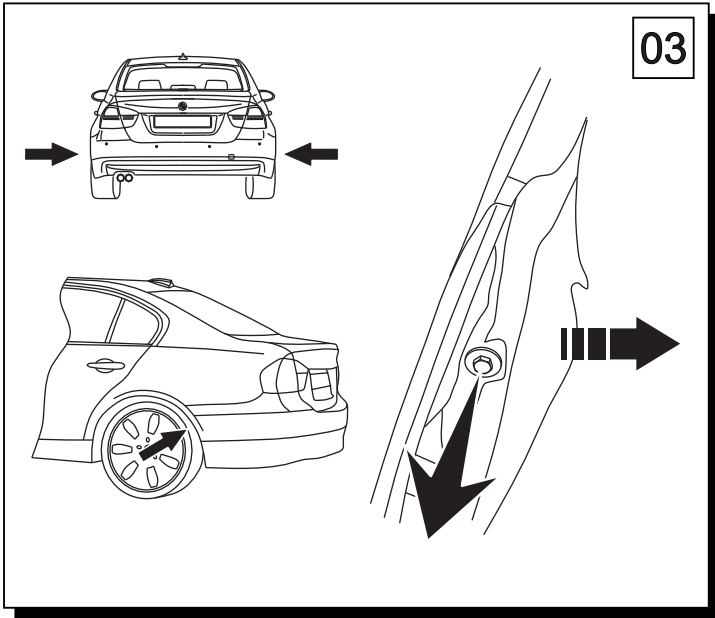
śruba Nm	M6	M8	M10	M12	M14	M16
klasa 8.8	9,9	24	48	83	132	200
klasa 10.9	14	34	67	117	185	285

⌚ 0 km → ⌚ 1000 km



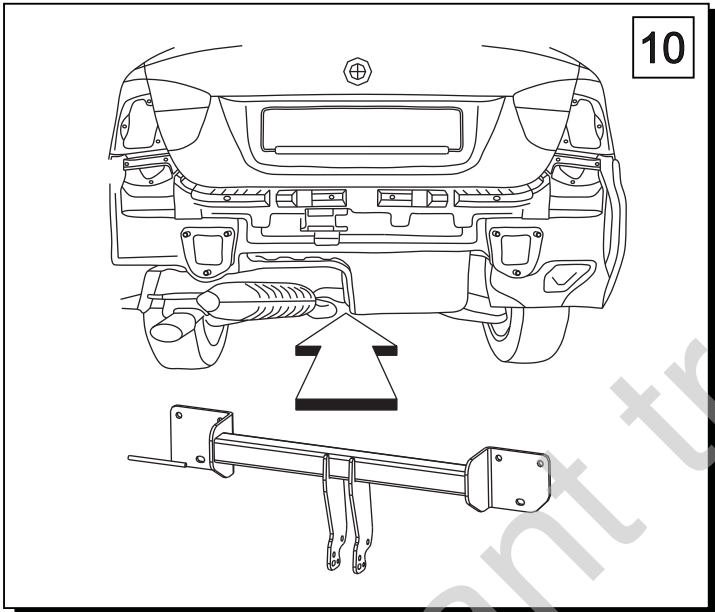
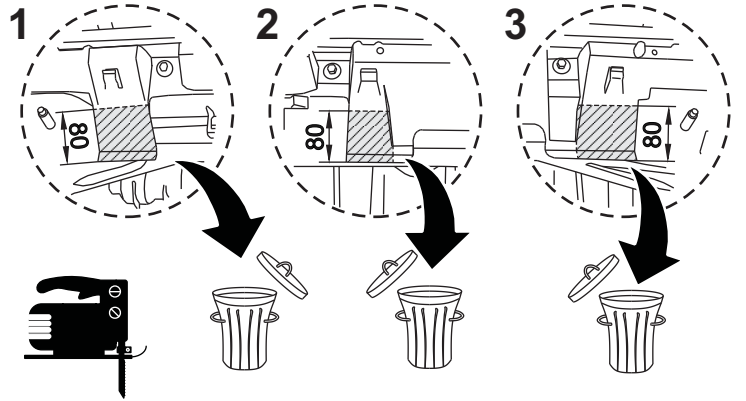
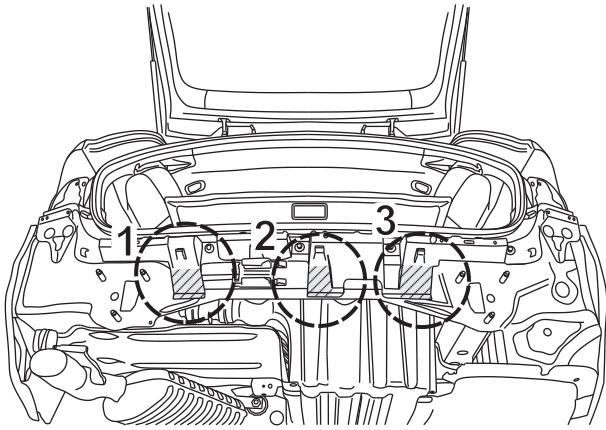
1		x 1		5 M 6x20	x 4
				6 \varnothing 18x \varnothing 6.4x1.6 6 (DIN 9021)	x 8
2		x 1		7 \varnothing 6.2	x 4
	Art.nr-KL1B11A			8 M 6	x 4
3		x 1			
	Art.nr-BL1B11A				
4		x 2			



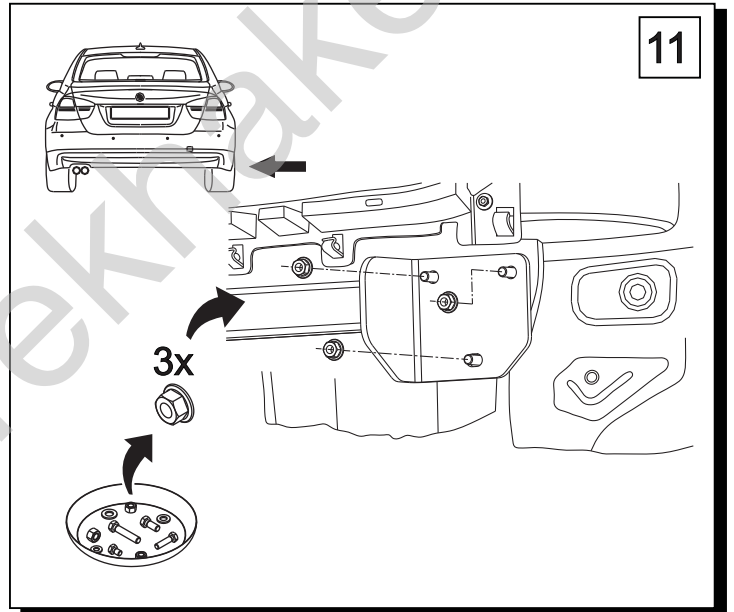


! BMW 3 (E91) TOURING / KOMBI !

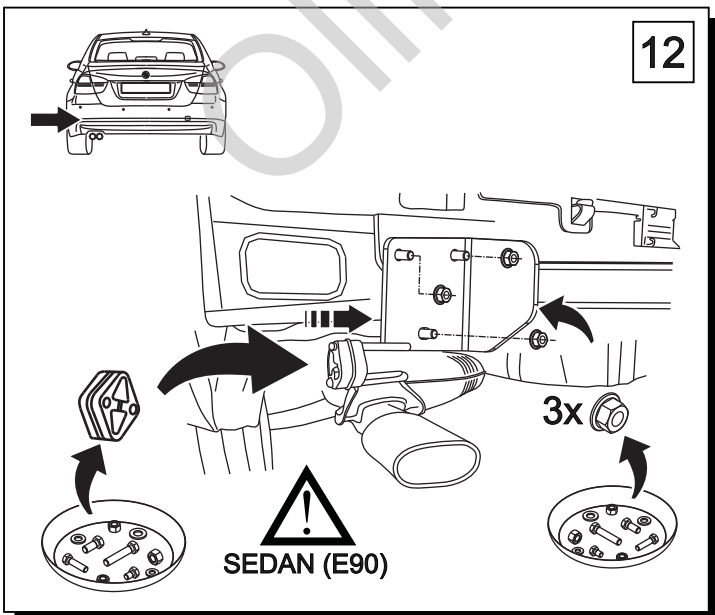
09



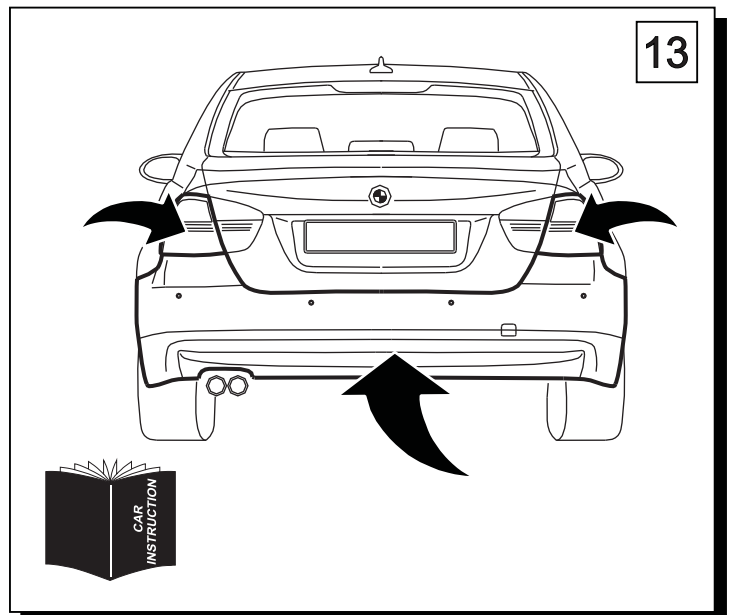
10



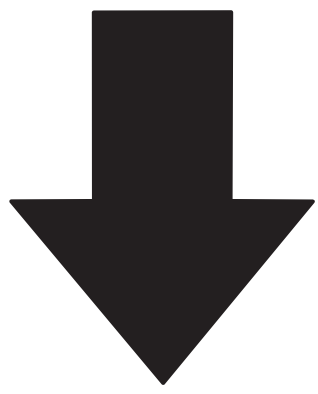
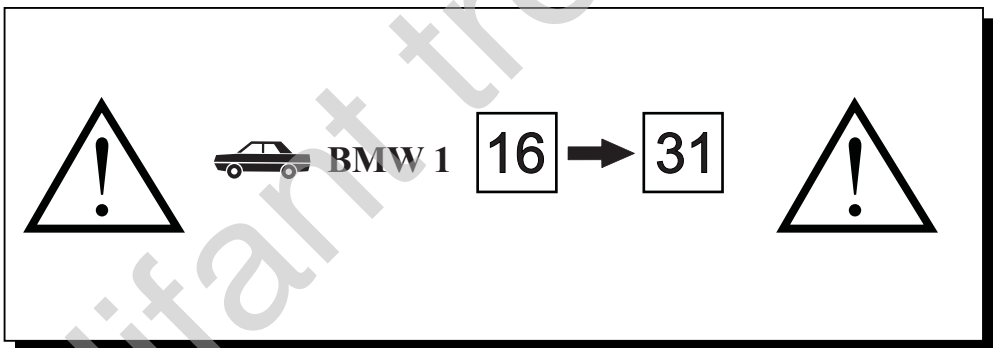
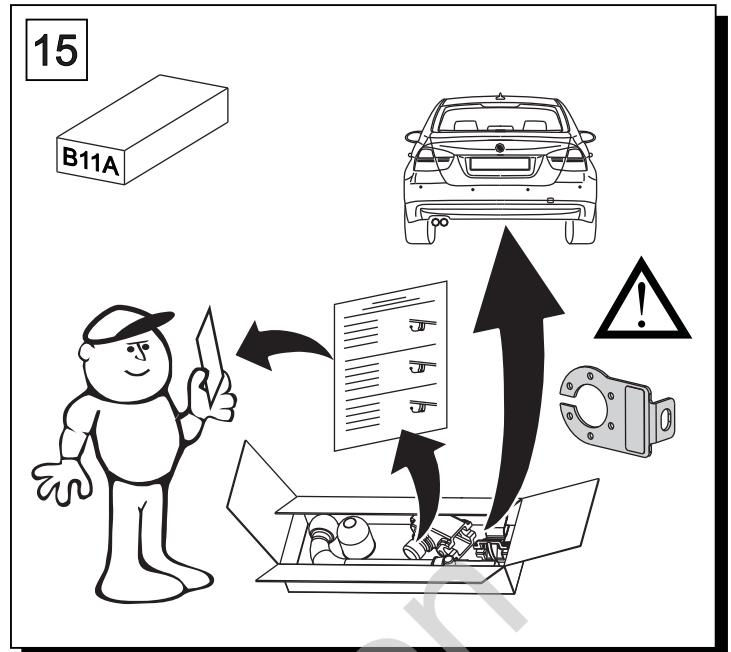
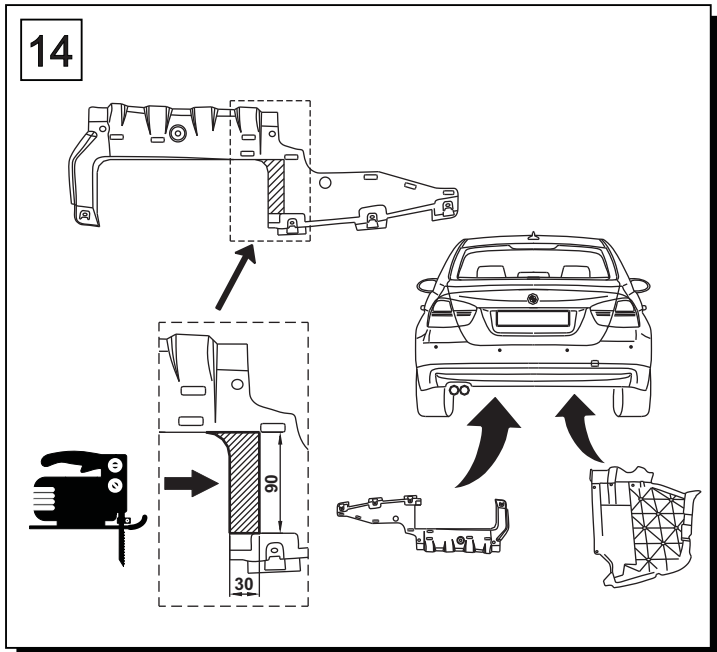
11

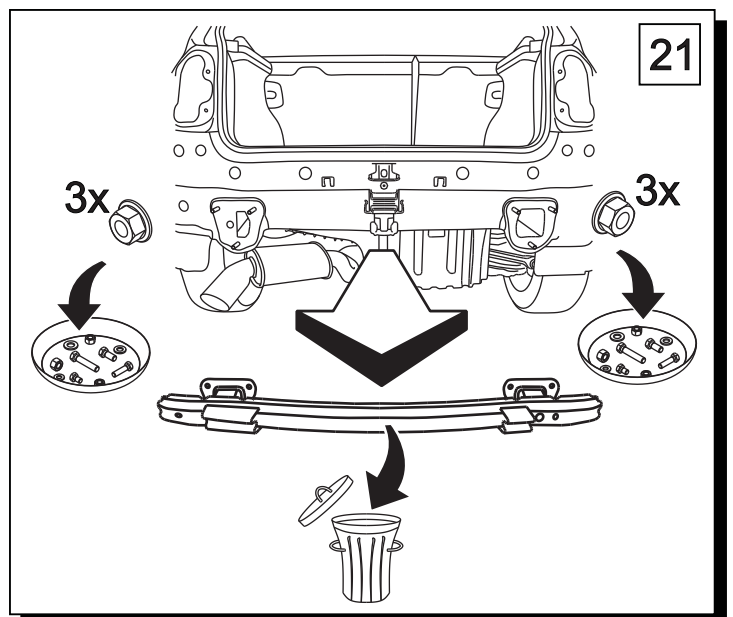
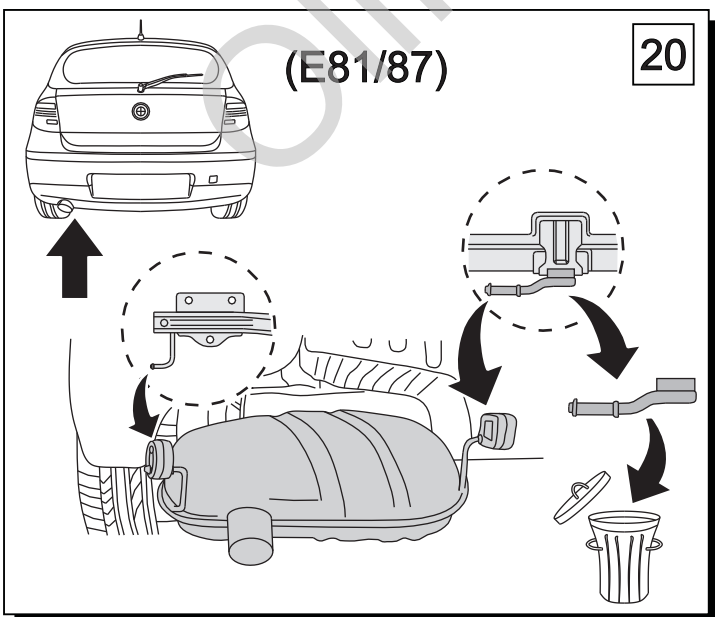
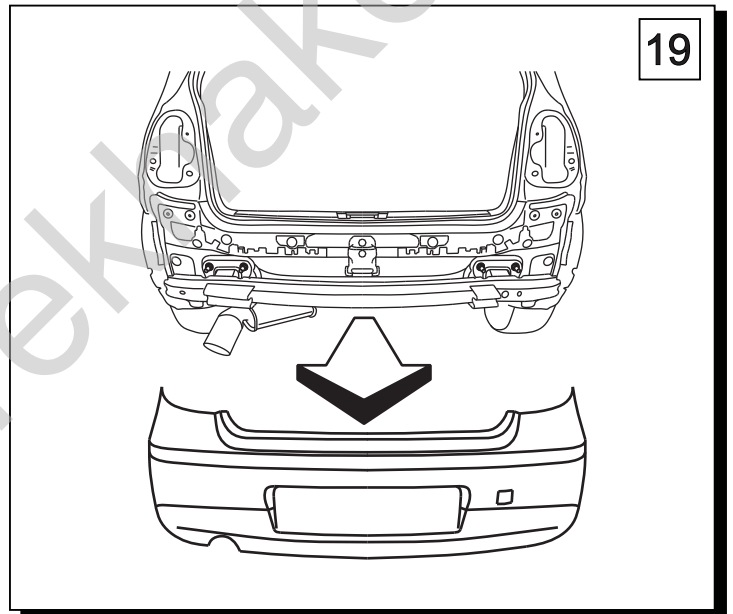
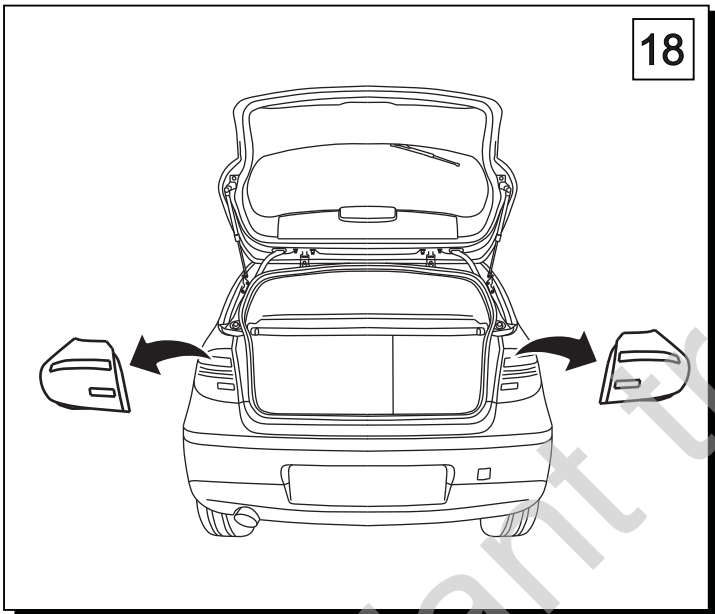
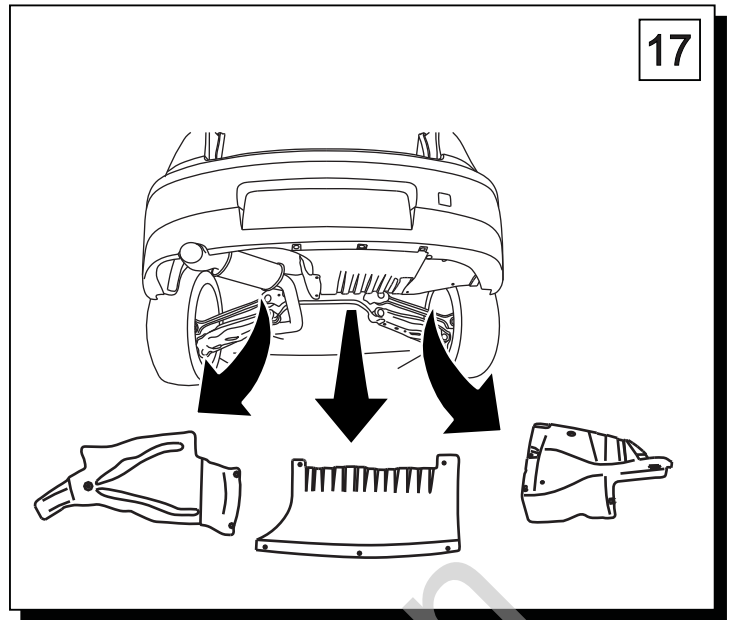
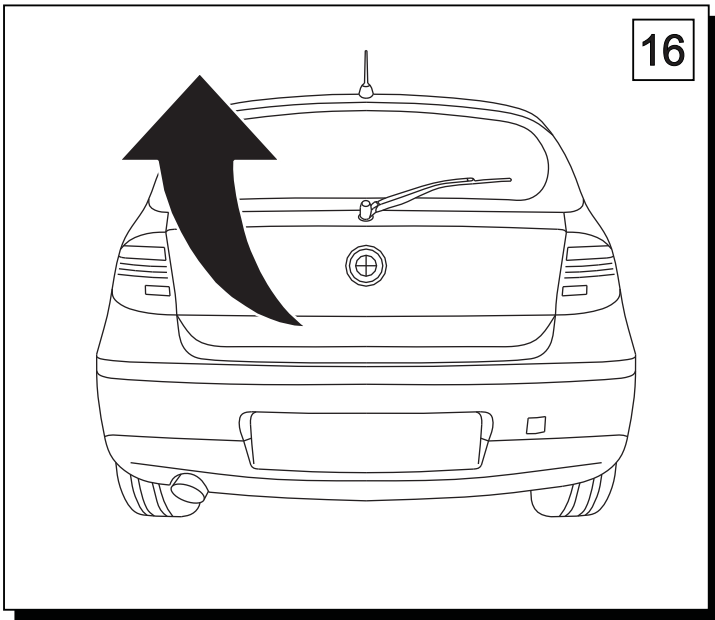


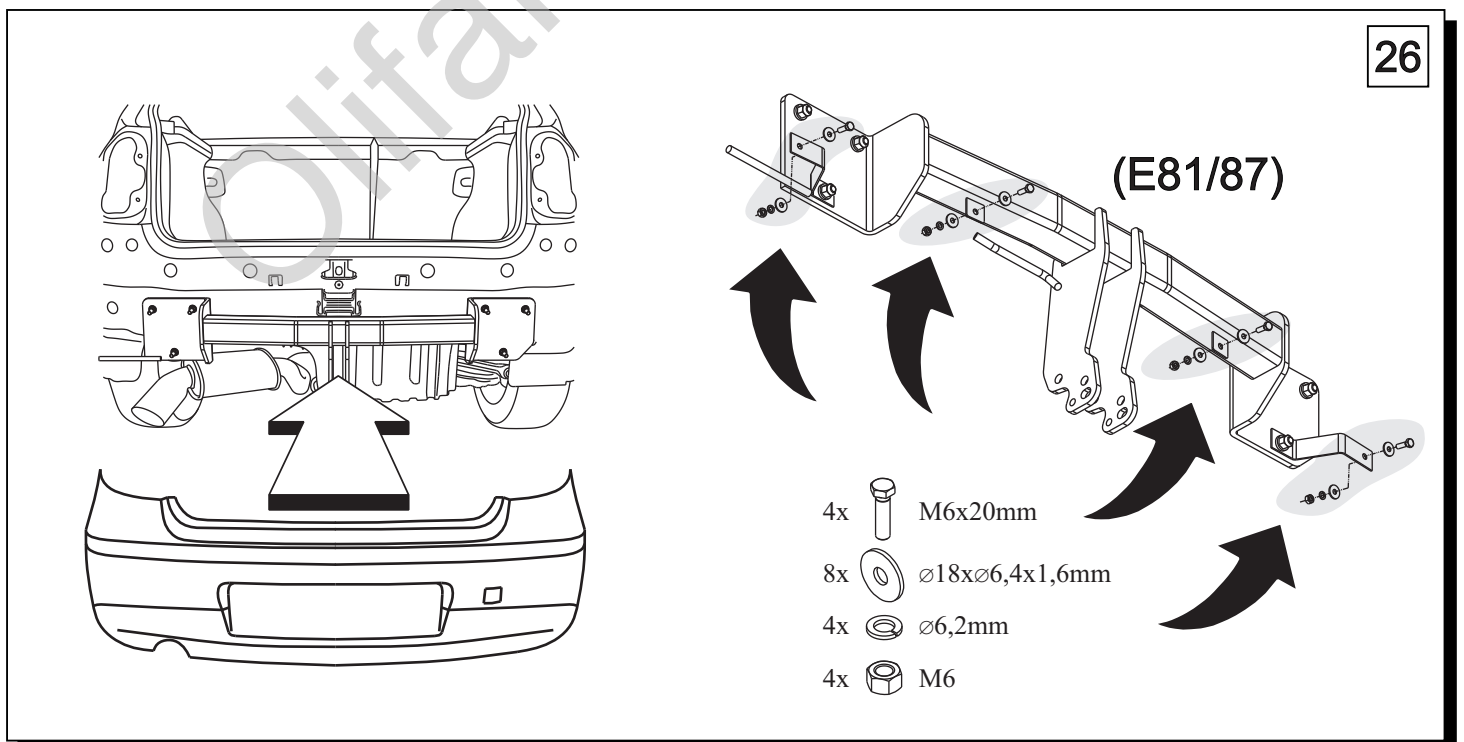
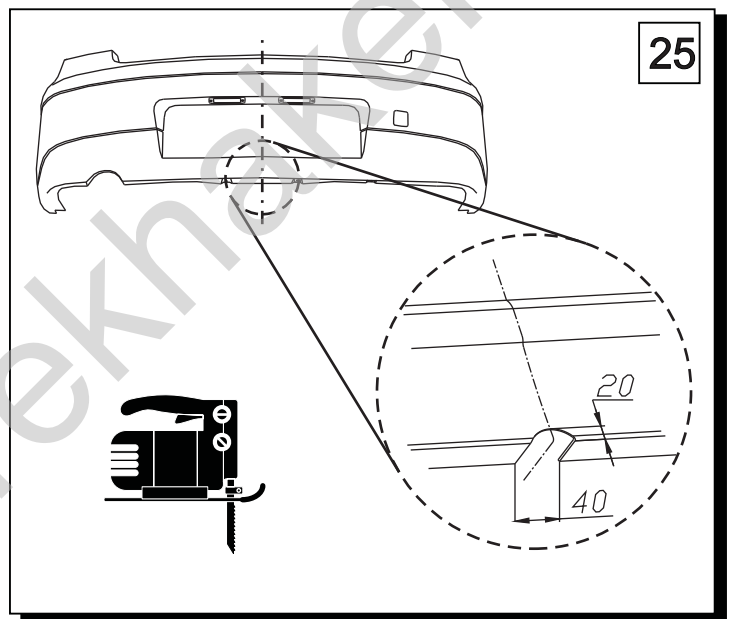
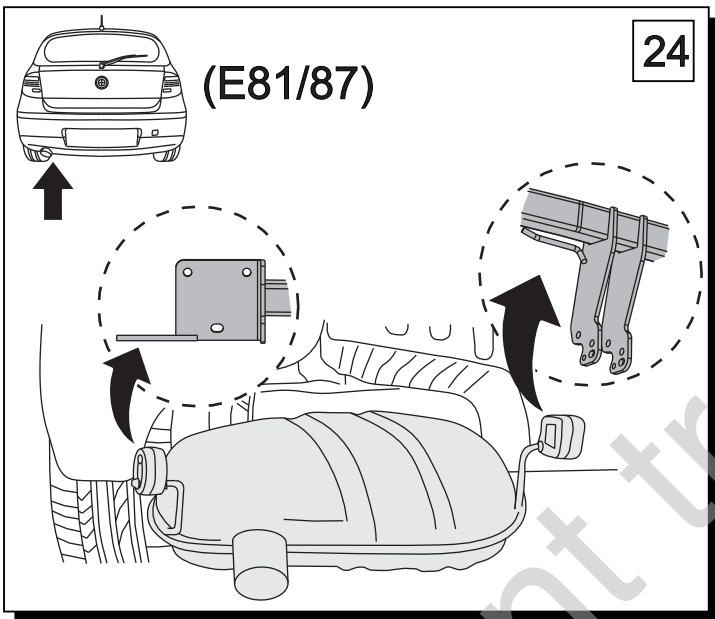
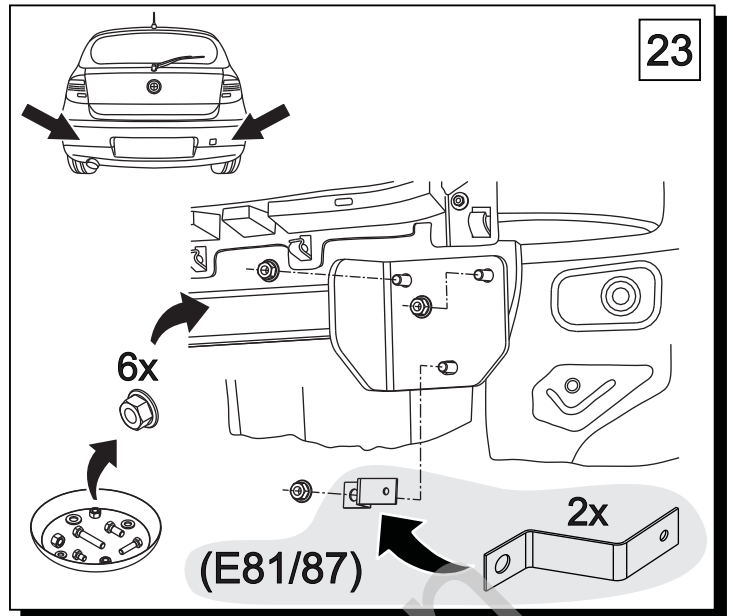
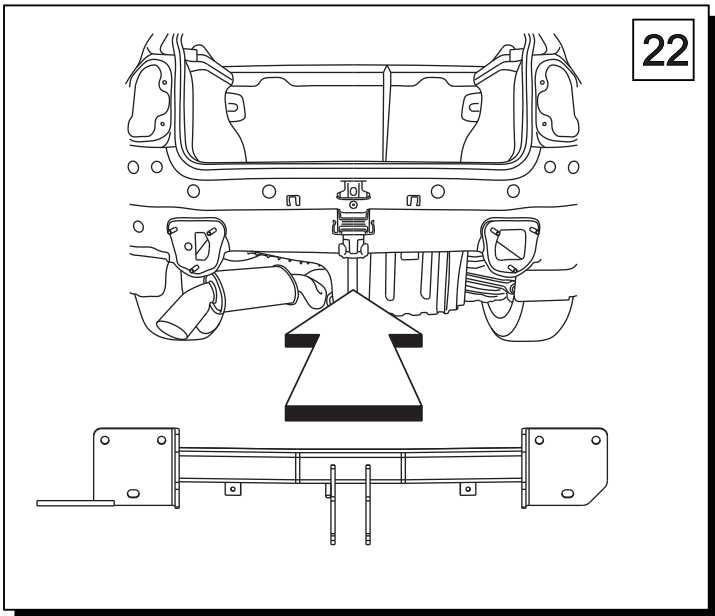
12



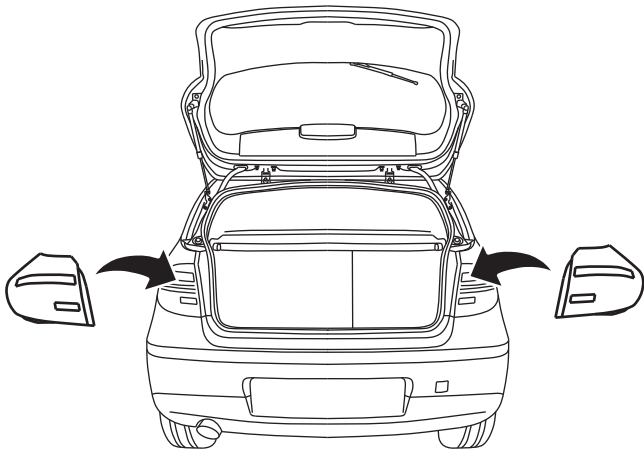
13



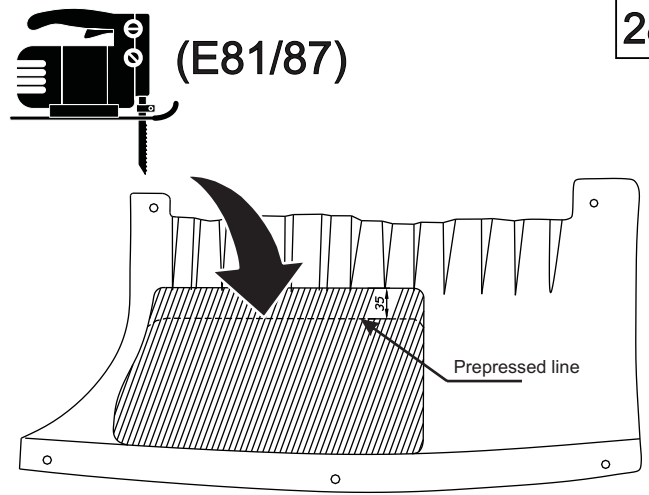




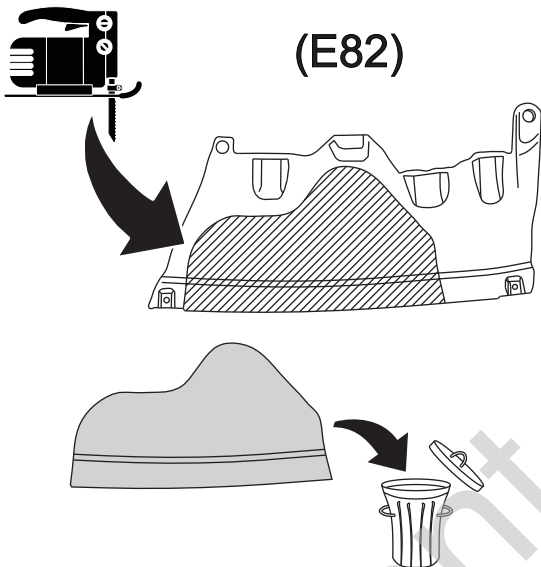
27



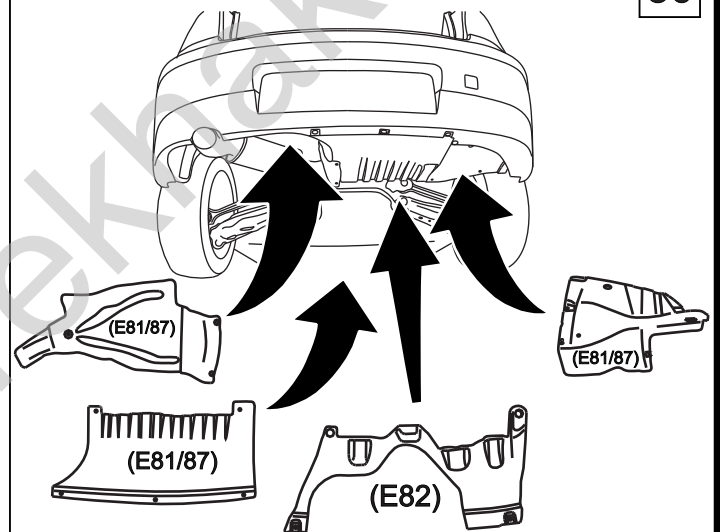
28



29



30



31

