

# AUTO-HAK Sp. z o.o.

ul. Słoneczna 16K 76-200 SŁUPSK  
POLAND

tel/fax +48 59 8 414 414; +48 59 8 414 413

e-mail: [office@autohak.com.pl](mailto:office@autohak.com.pl)

[www.autohak.com.pl](http://www.autohak.com.pl)



# AUTO-HAK



## BMW 3

(E46), 4D, COUPE, CABRIO,  
~~M Pakiet/M3/3.0 xd 150KW~~

⌚ 01.1998 - 01.2005

(E46), COMPACT, 3D,  
~~M Pakiet~~

⌚ 07.2001 - 02.2005

(E46) TOURING, 4x4,  
~~M Pakiet i 3.0 xd 150KW~~

⌚ 10.1999 - 08.2005

Cat. no:

# B06



## 2h



### E20-55R-01 1135

## D

### 9,8 kN



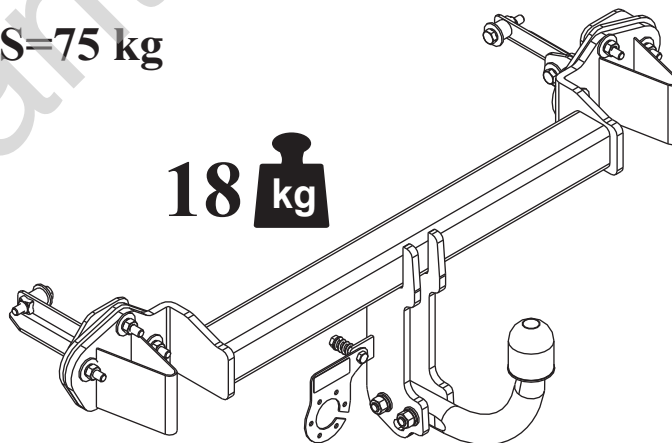
### R=1800 kg



### S=75 kg



## 18 kg



M6 - 11 Nm  
M10 - 50 Nm  
M14 - 138 Nm

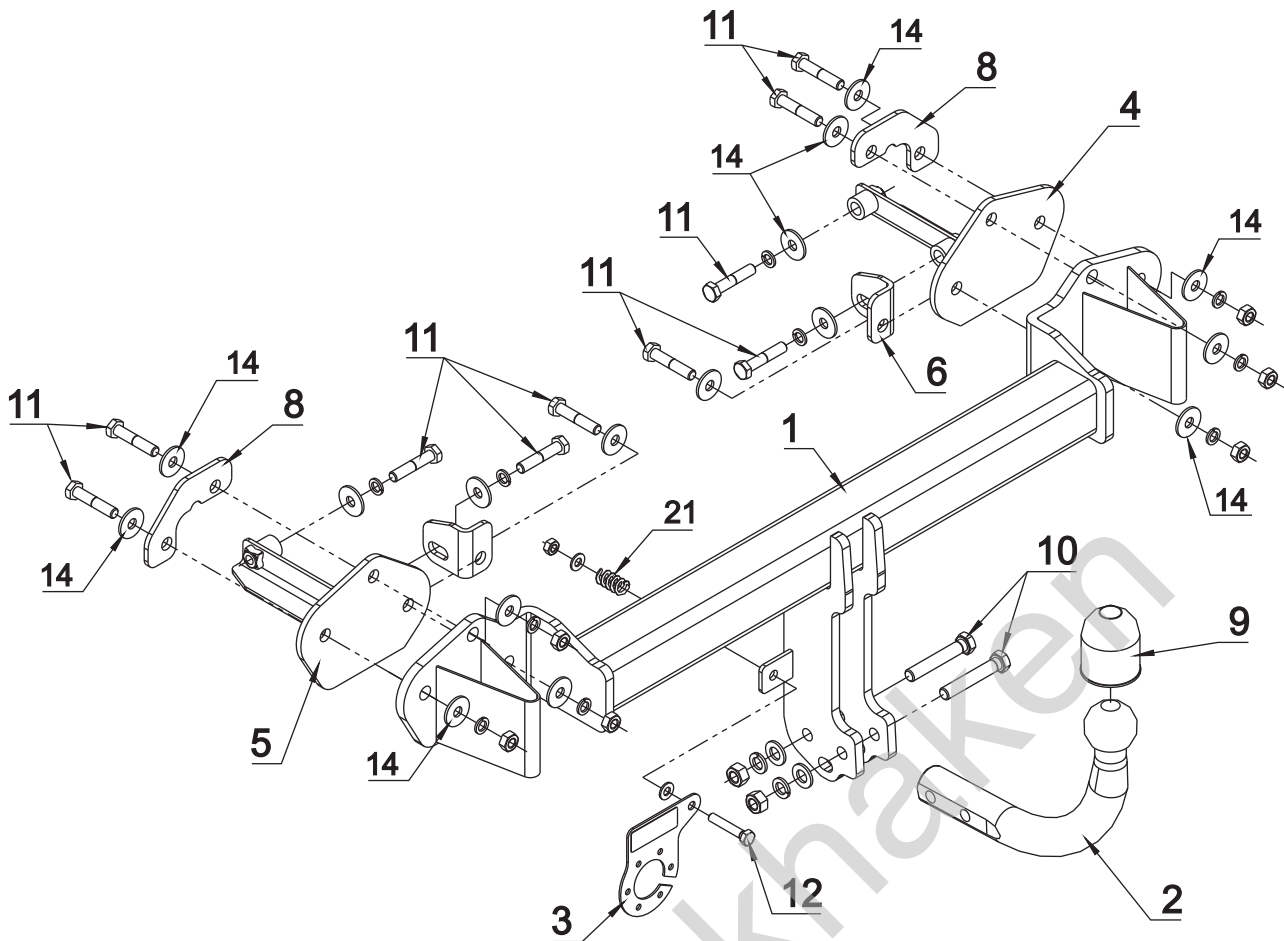
M8 - 25 Nm  
M12 - 87 Nm  
M16 - 210 Nm

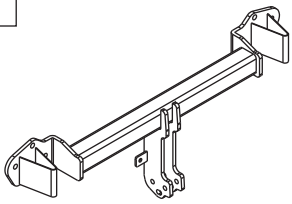





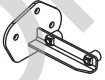

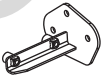
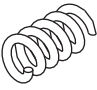
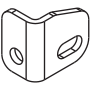
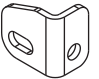




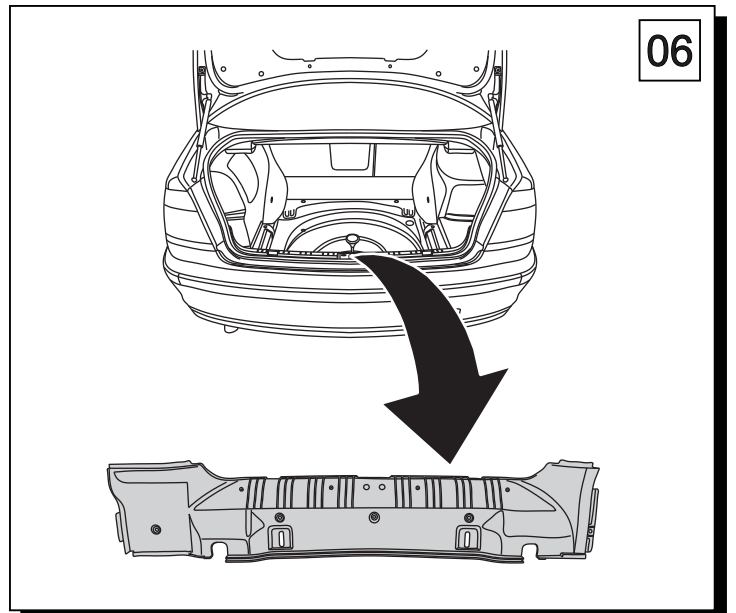
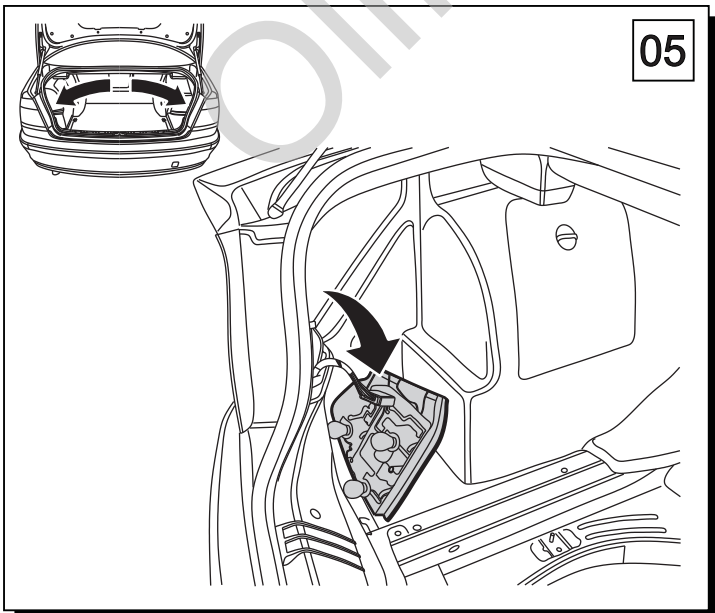
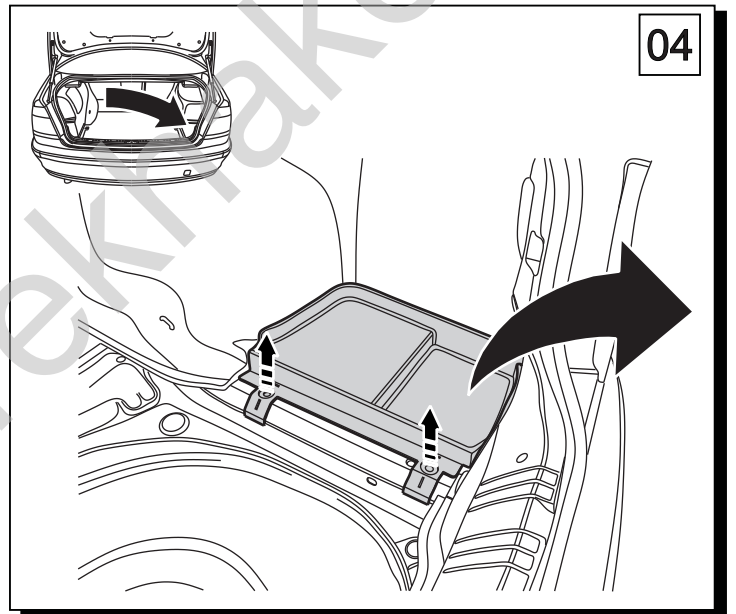
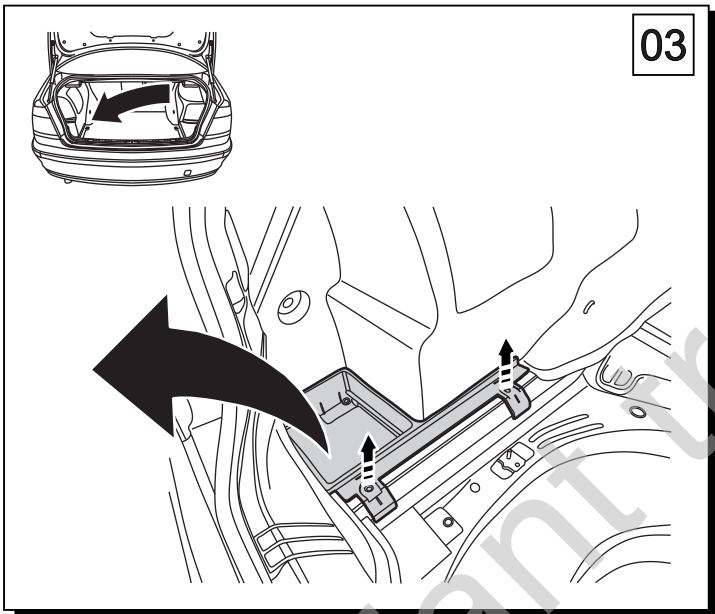
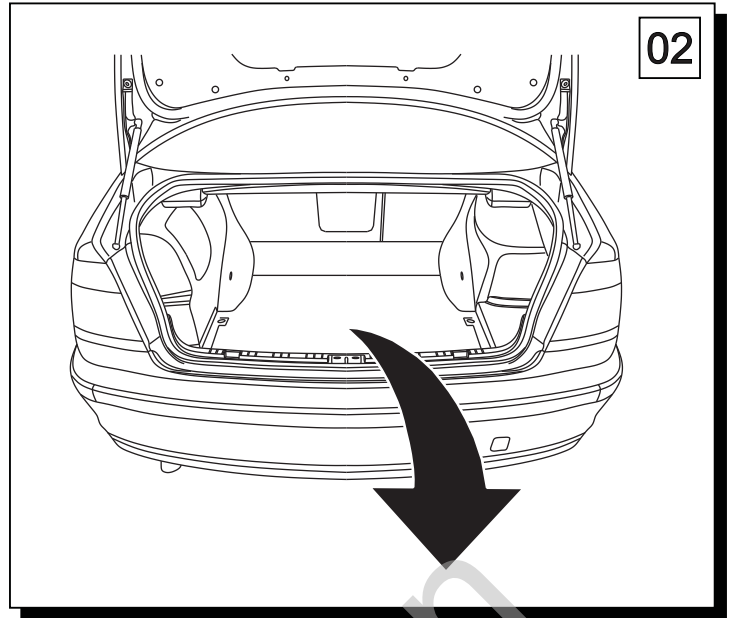
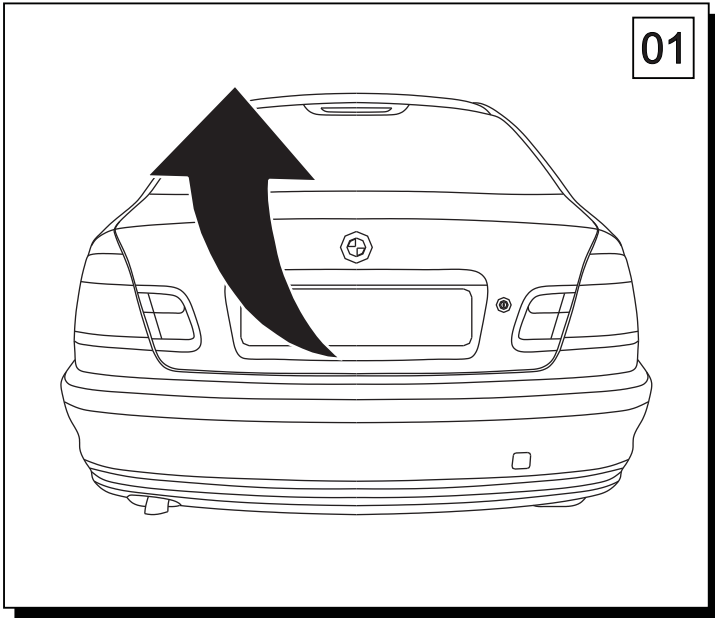
0 km →

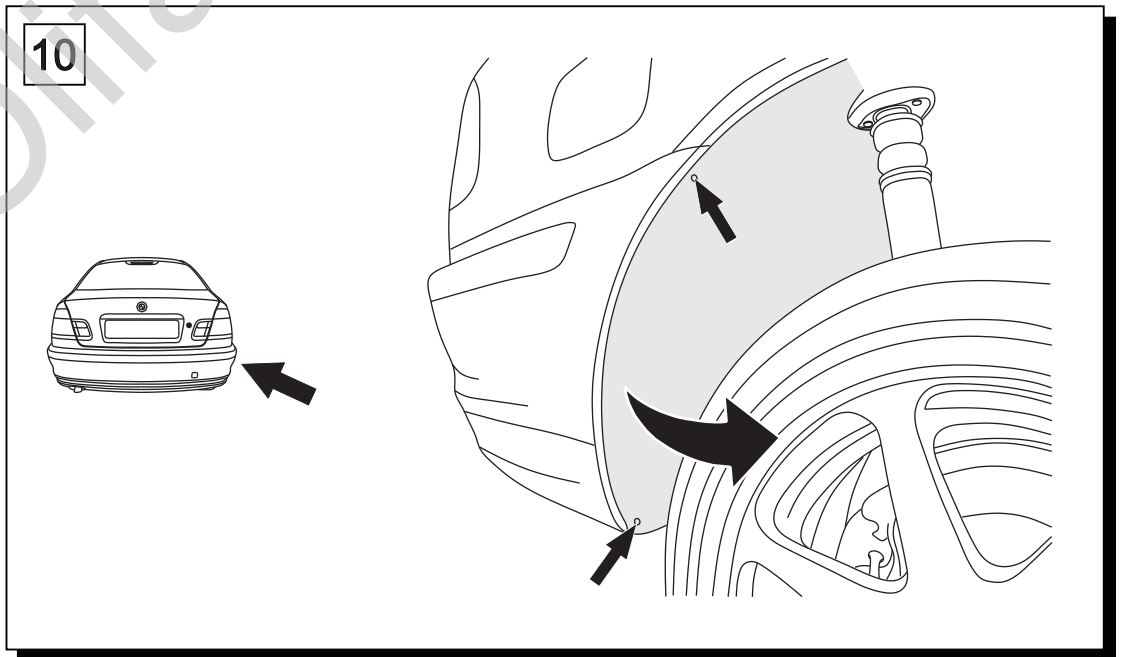
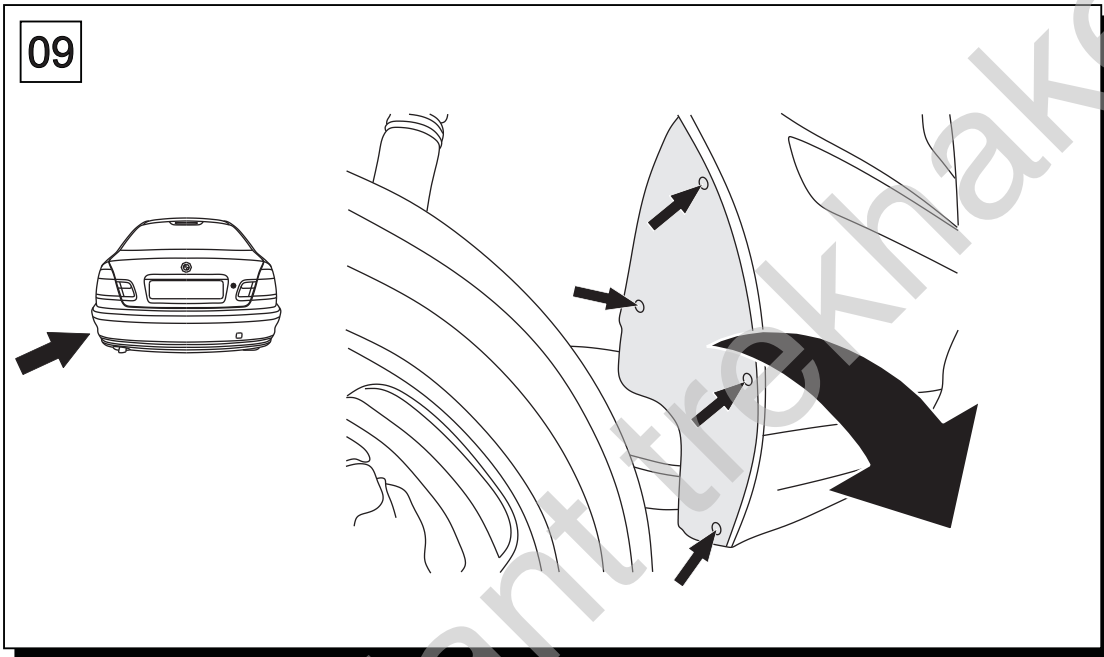
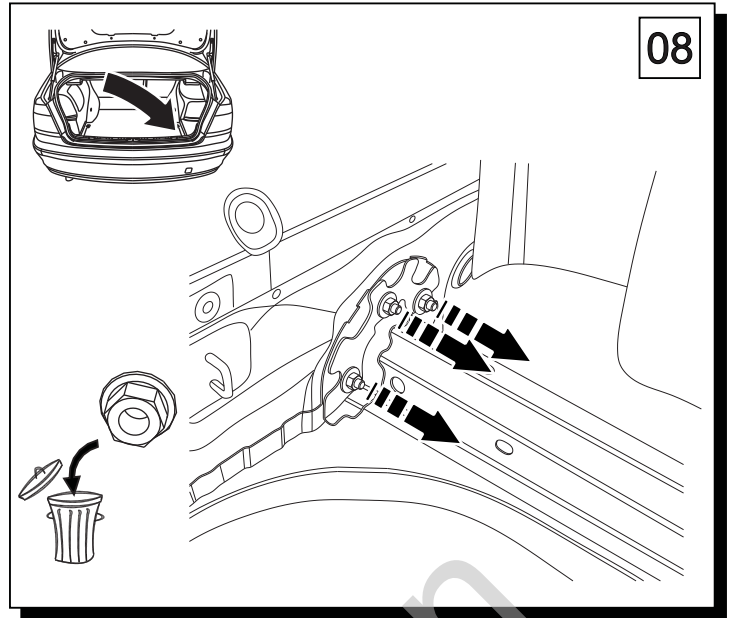
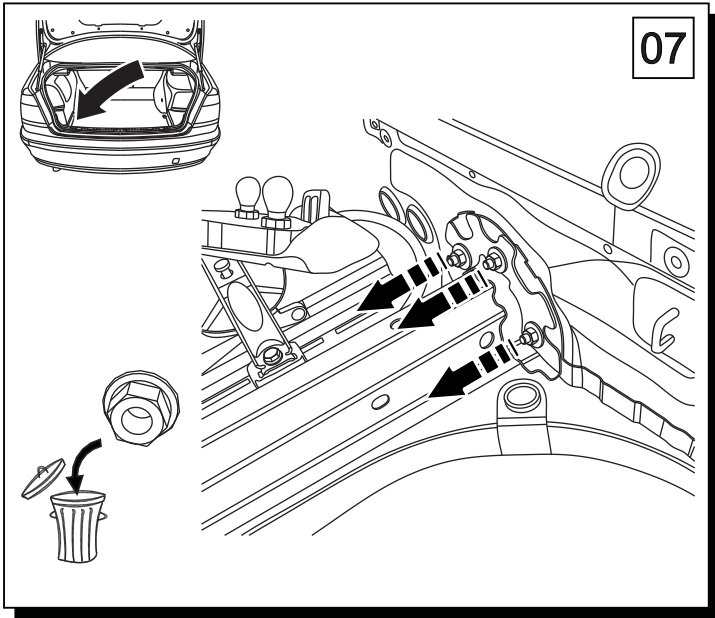


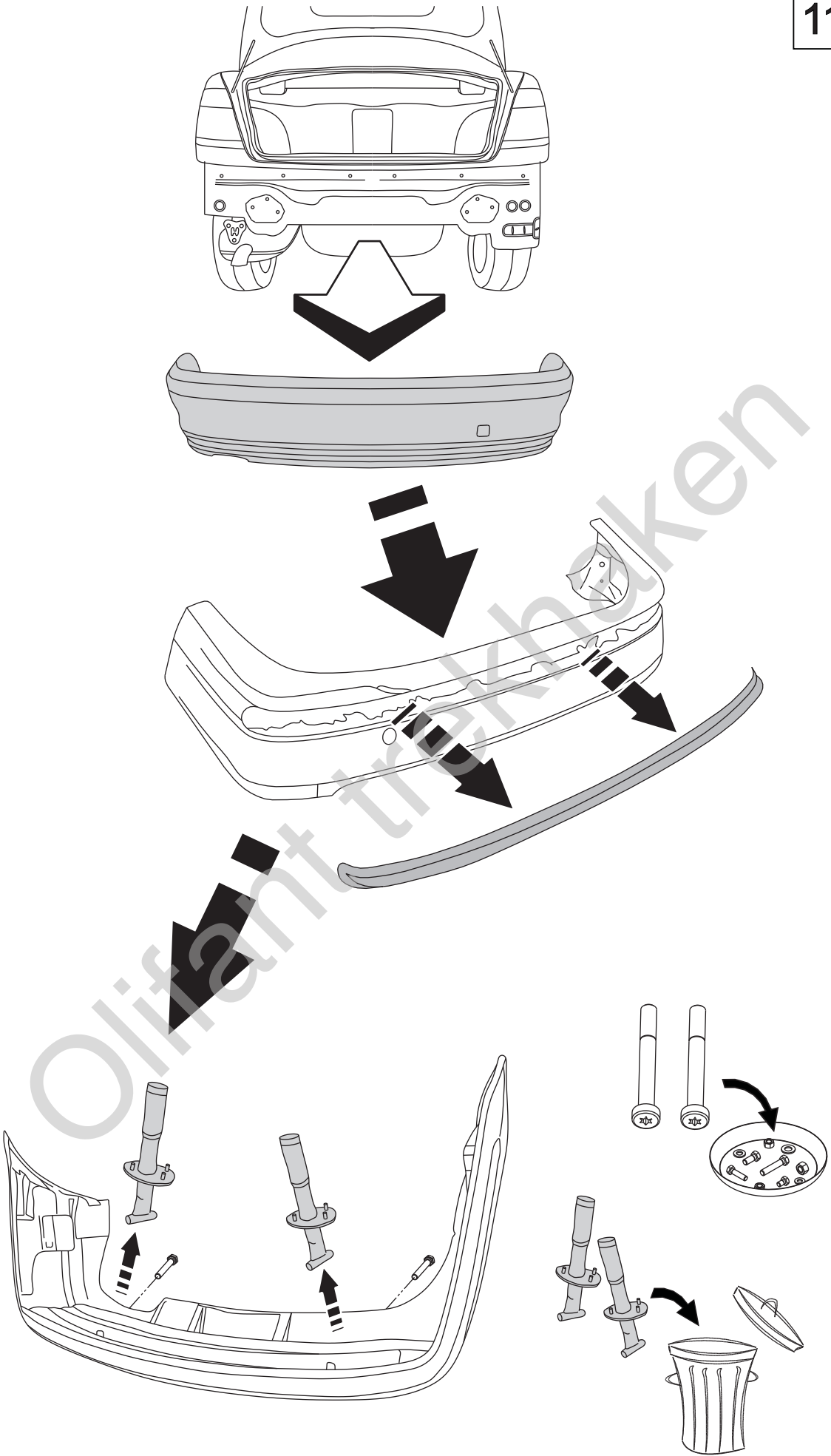
1000 km

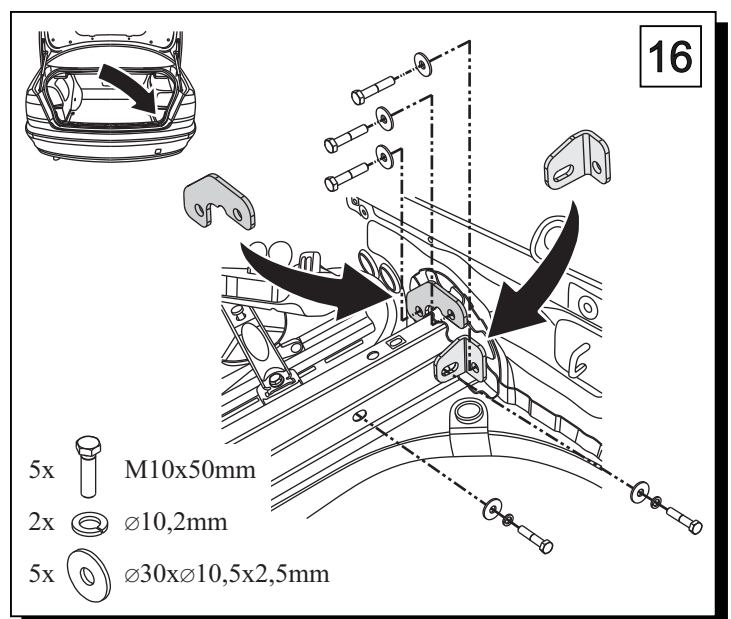
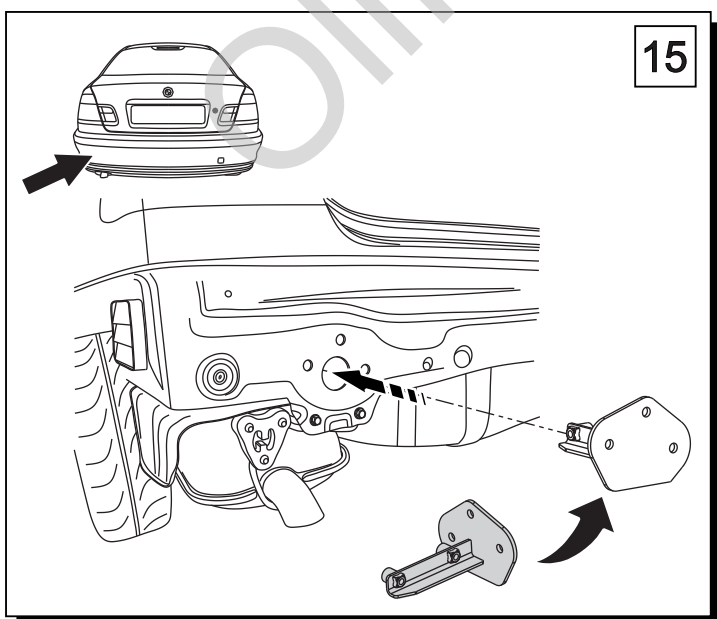
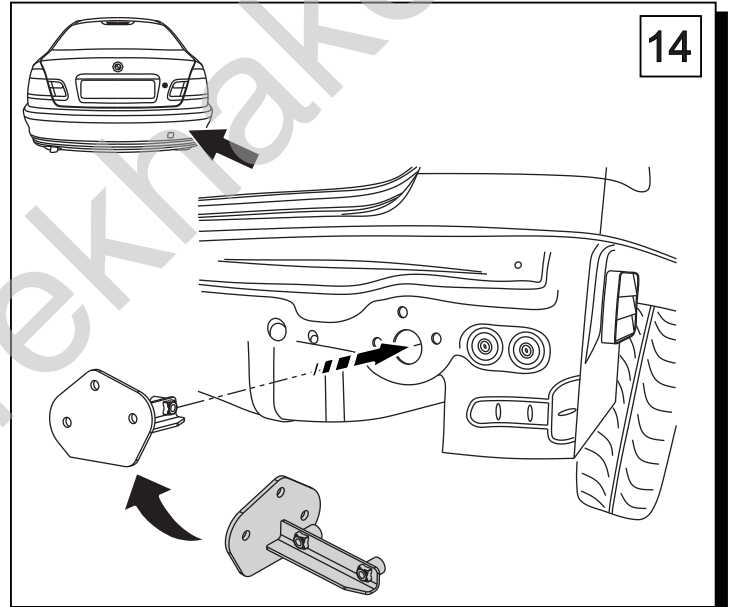
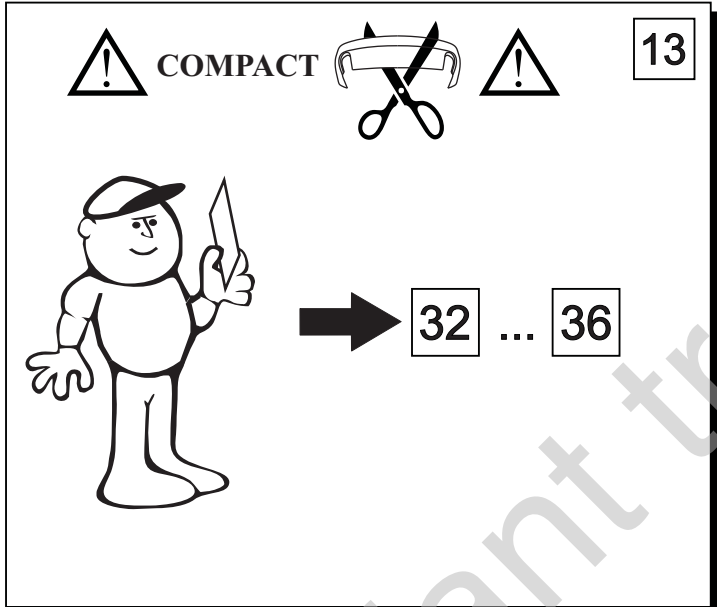
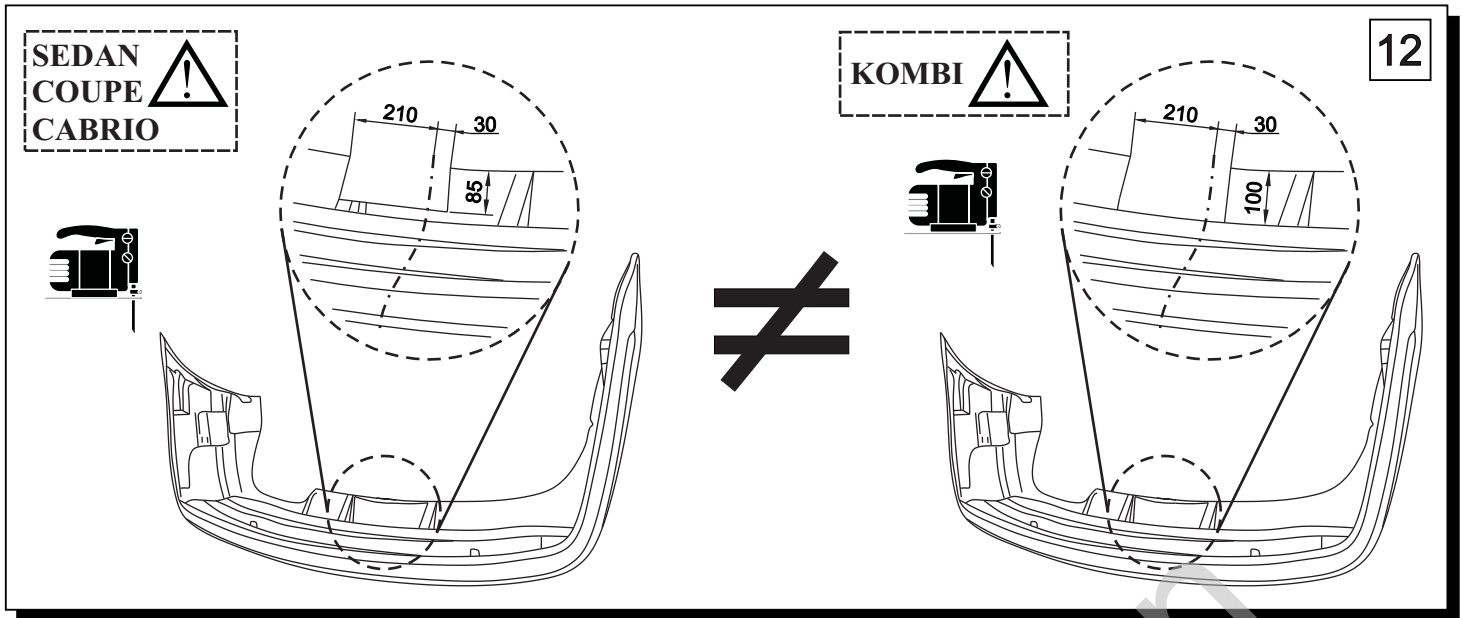


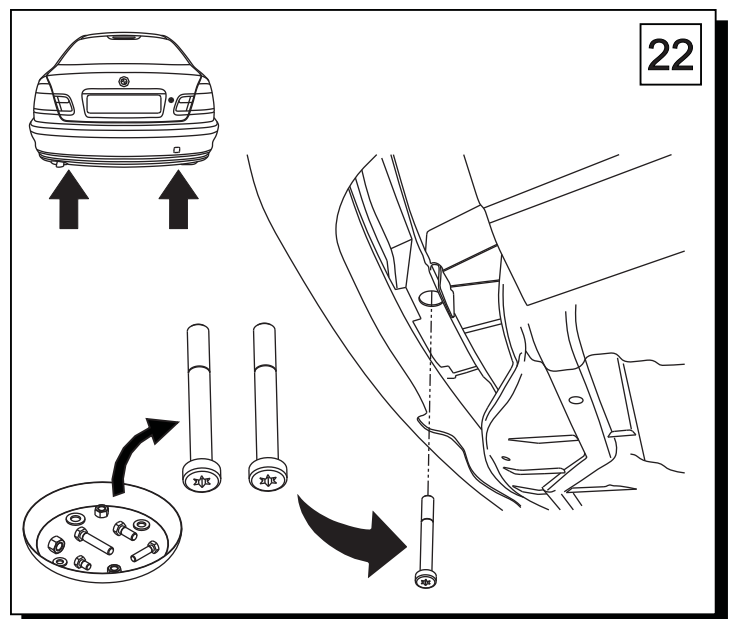
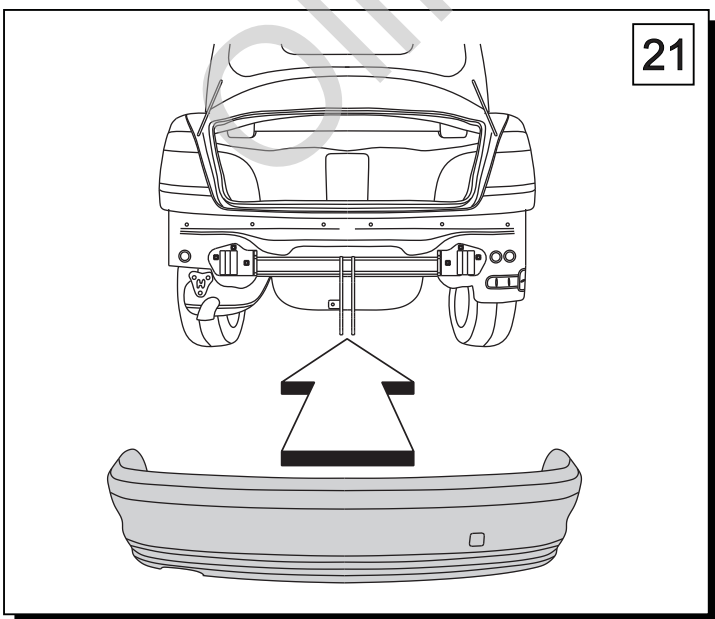
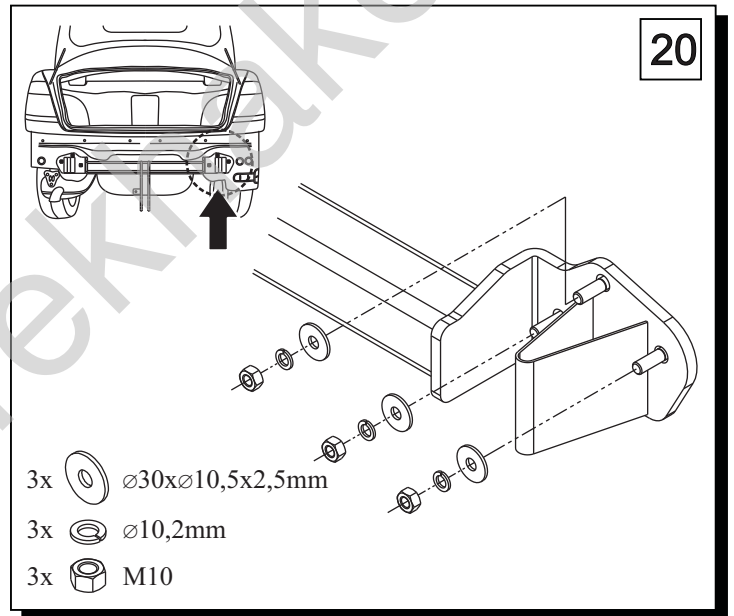
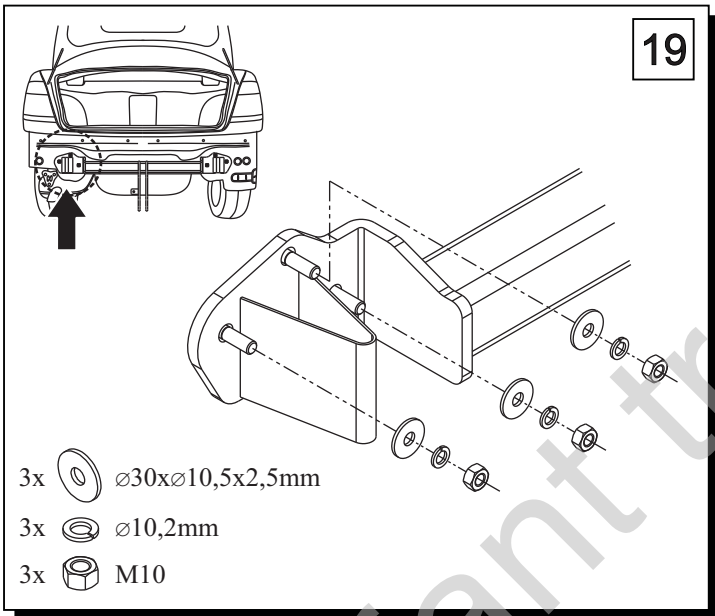
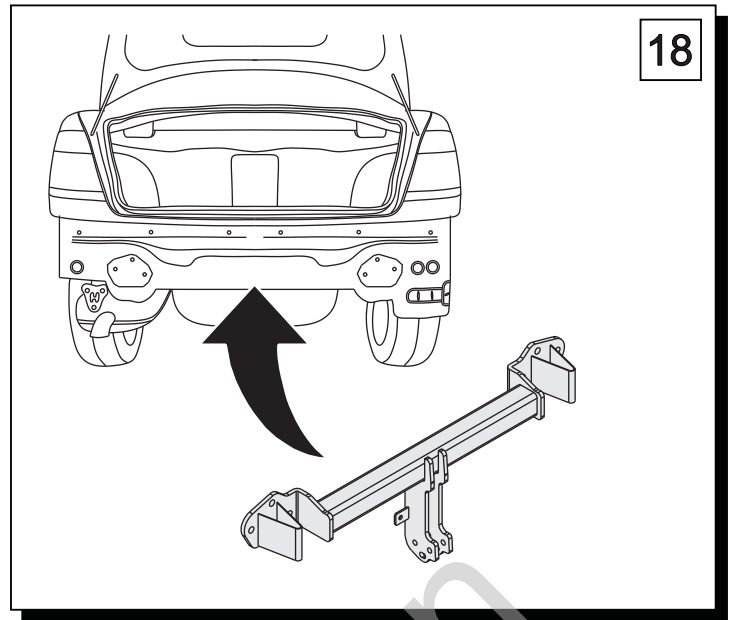
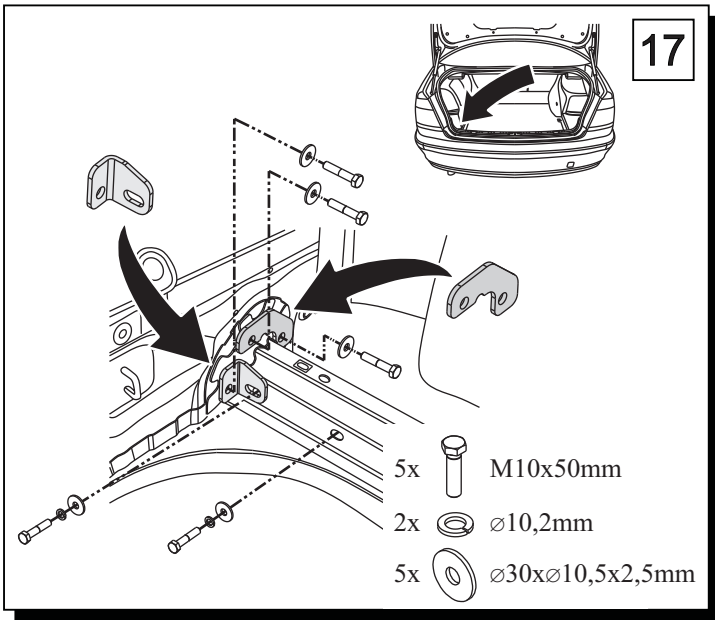
1		x1		10	M12x70	x2
				11	M10x50	x10
				12	M8x45	x1
				13	∅ 13	x2
				14	∅ 30x∅10.5x2.5 16 (DIN 9021)	x16
				15	∅ 8.4	x2
2		x1 Art. nr-KL1B06		16	∅ 12.2	x2
3		x1 Art. nr-BL1B06		17	∅ 10.2	x10
4		x1		18	M12	x2
				19	M10	x6
				20	M8	x1
5		x1	21			x1
6		x1				
7		x1				
8		x2				
9		x1				

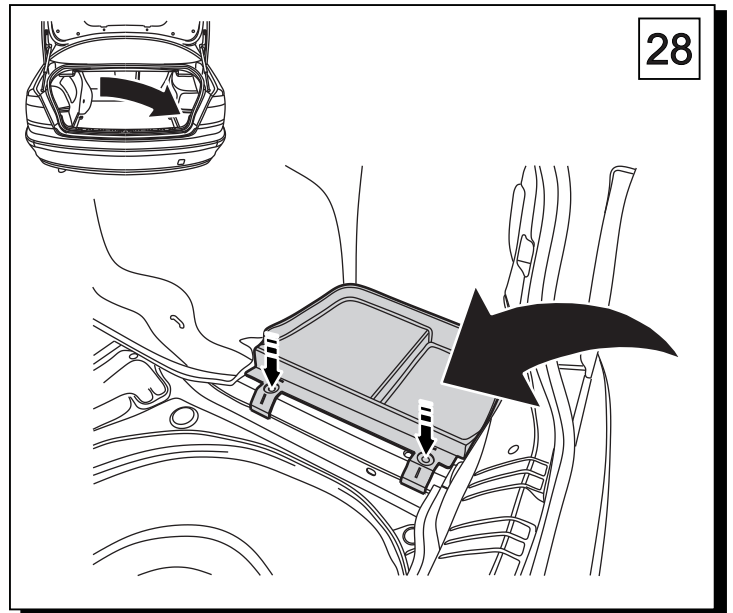
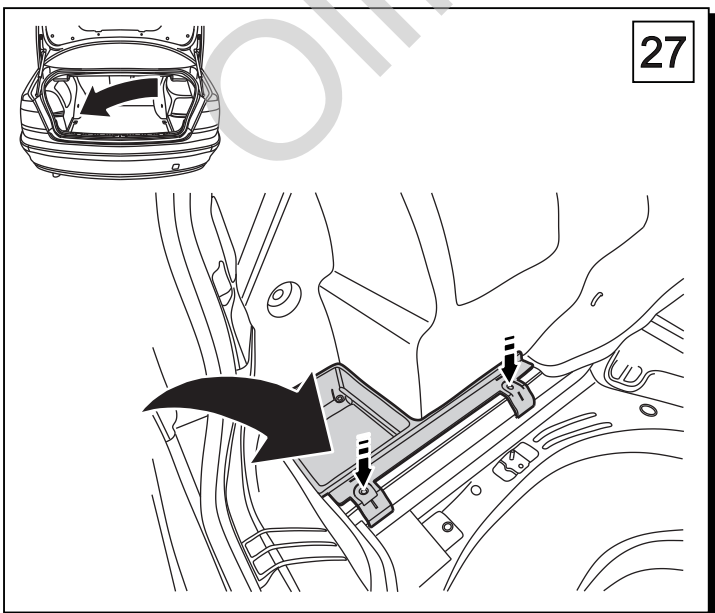
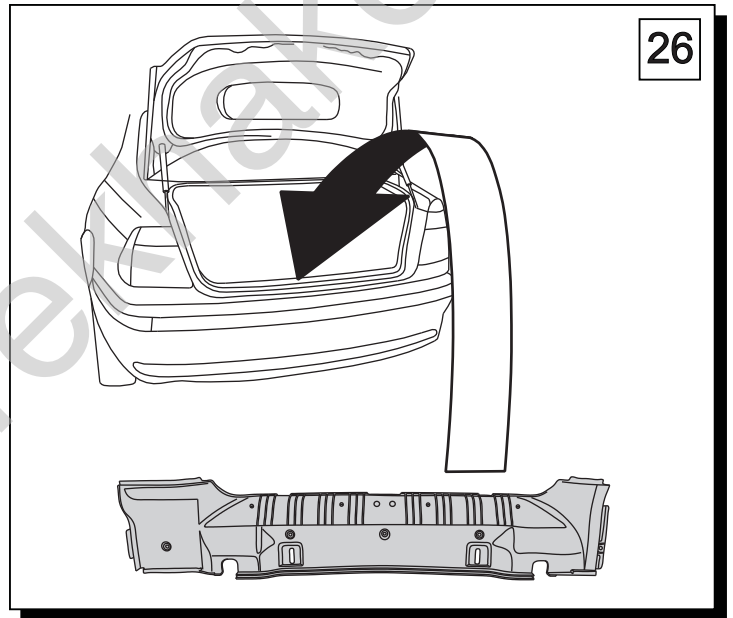
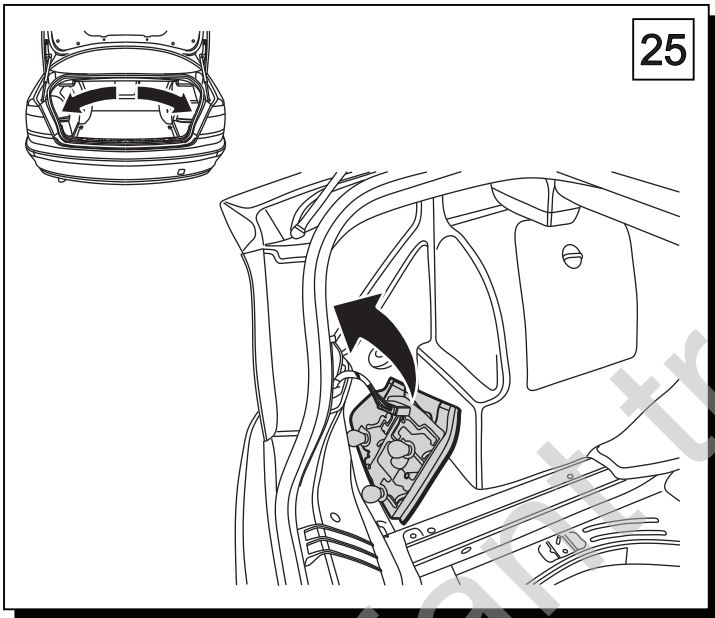
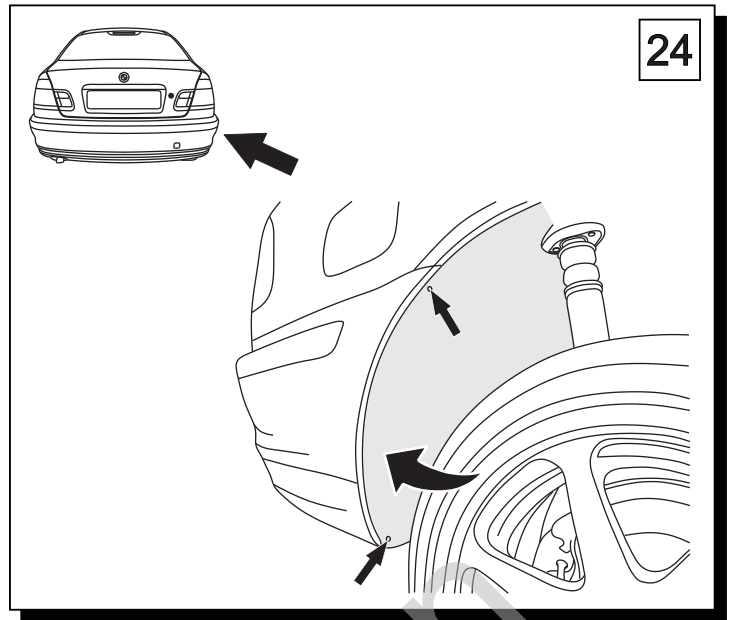
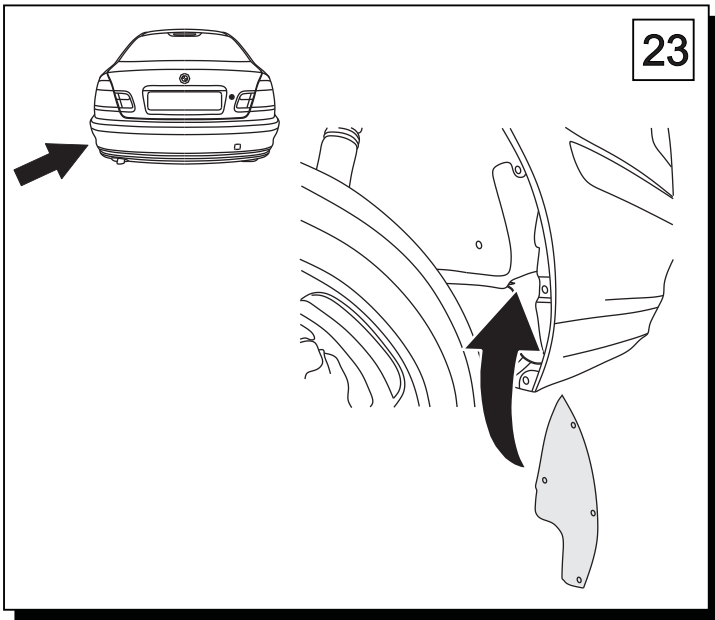




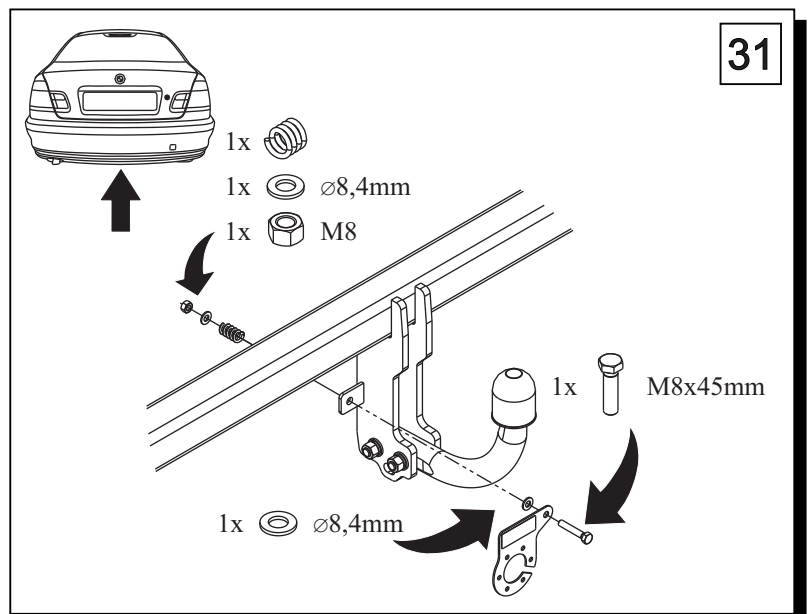
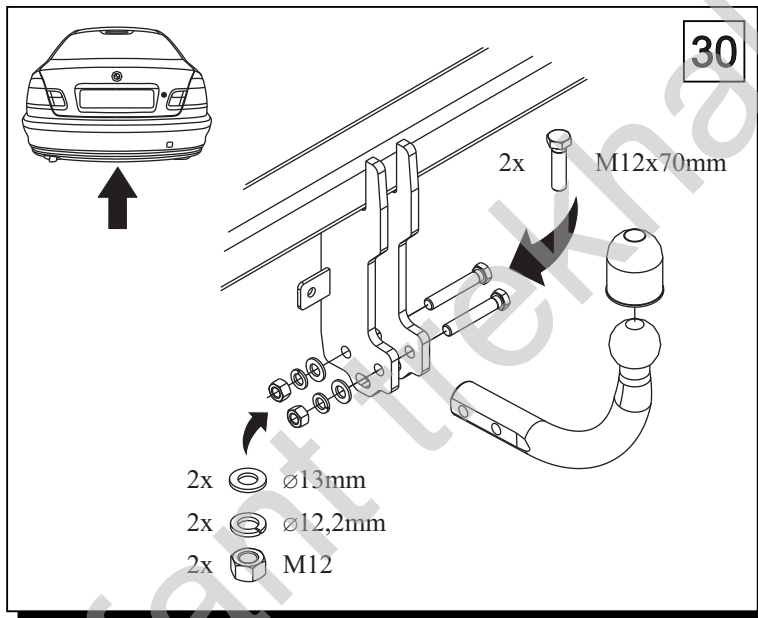
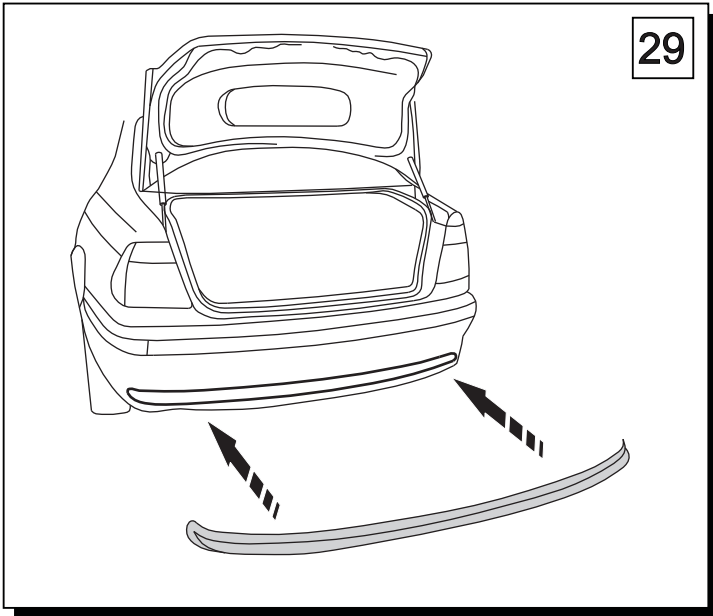




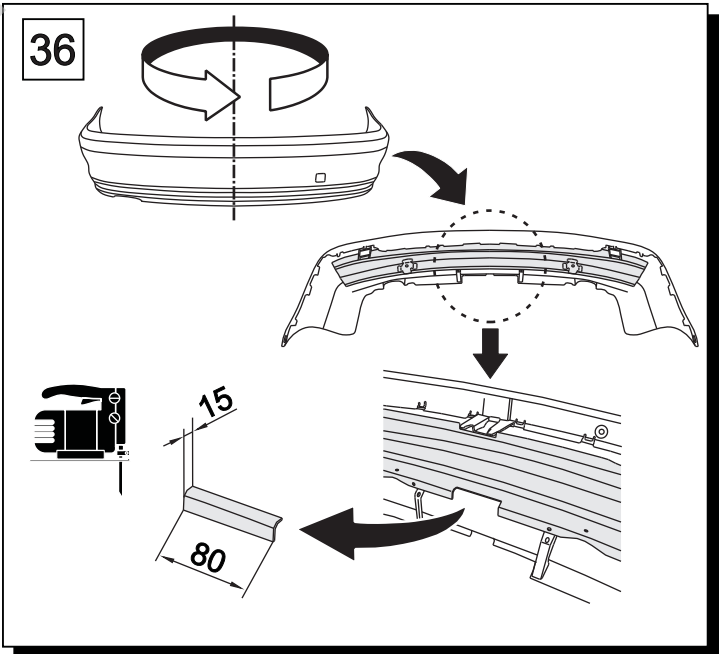
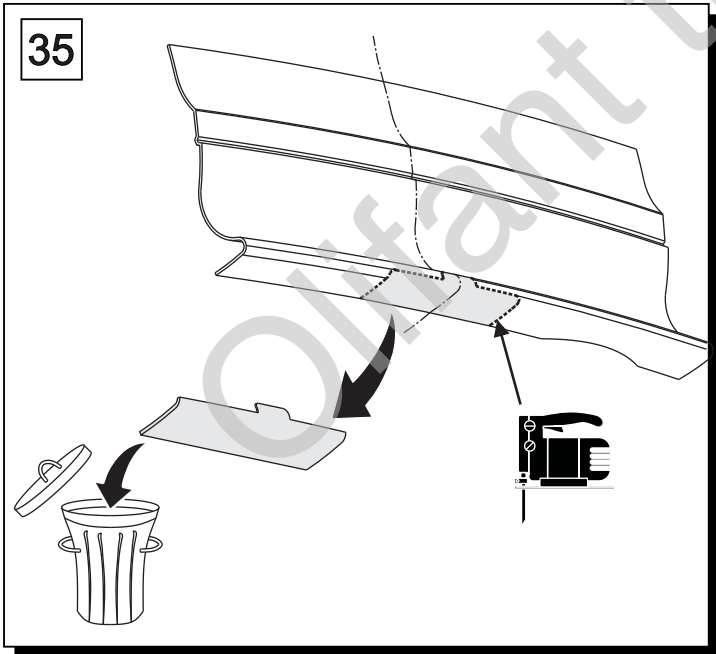
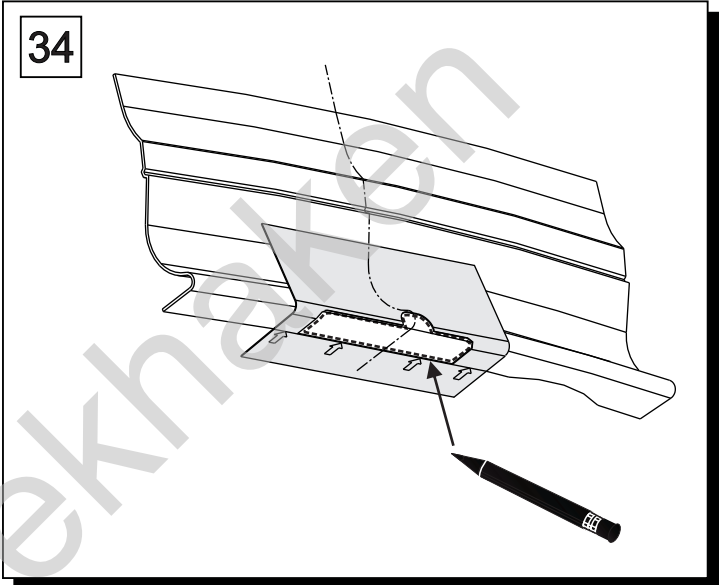
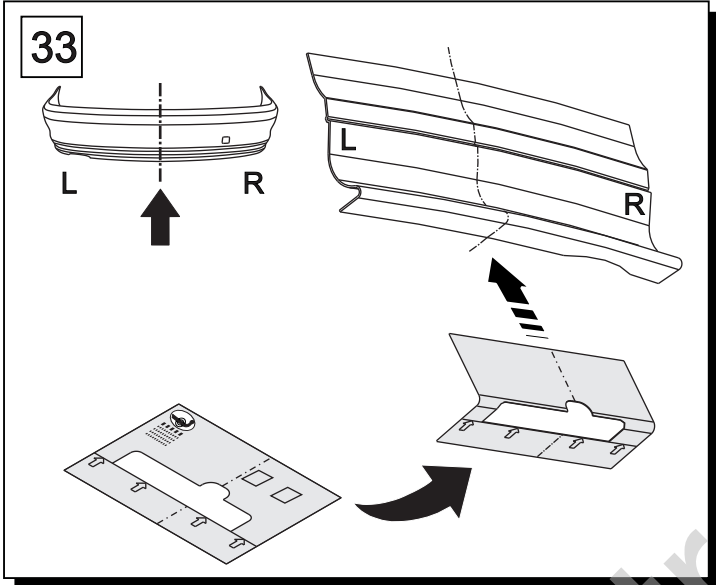
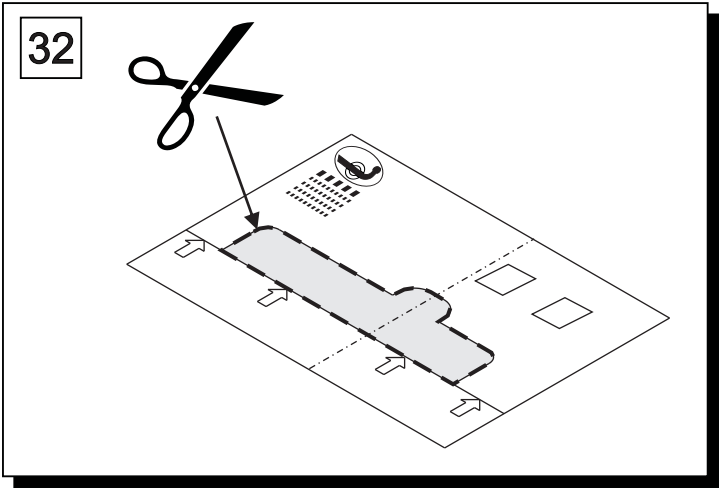
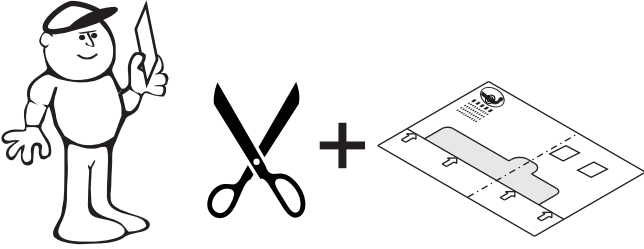


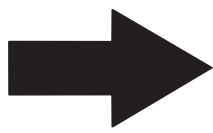






**COMPACT** 



 **14** ...

# PPUH AUTO-HAK Sp.J.

Henryk & Zbigniew Nejman

ul. Słoneczna 16K 76-200 SŁUPSK

POLAND

tel/fax +48 059 8-414-414; 8-414-413

e-mail: [office@autohak.com.pl](mailto:office@autohak.com.pl)

[www.autohak.com.pl](http://www.autohak.com.pl)

Cat. no:

**B06**



134

77

42

21

20

43

