

# AUTO-HAK Sp. z o.o.

ul. Słoneczna 16K 76-200 SŁUPSK  
POLAND

tel/fax +48 59 8 414 414; +48 59 8 414 413

e-mail: [office@autohak.com.pl](mailto:office@autohak.com.pl)

[www.autohak.com.pl](http://www.autohak.com.pl)



# AUTO-HAK



## BMW 3 Seria (E36)

4D, Coupe, Cabrio, ~~M Pakiet/M3~~

⌘ 09.1990 → 04.1999

## BMW 3 Seria (E36) Touring

Kombi, ~~M Pakiet~~

⌘ 01.1995 → 08.1999

Cat. no:

# B02A

**e20** e20\*94/20\*0651\*00

**D** 9,3 kN

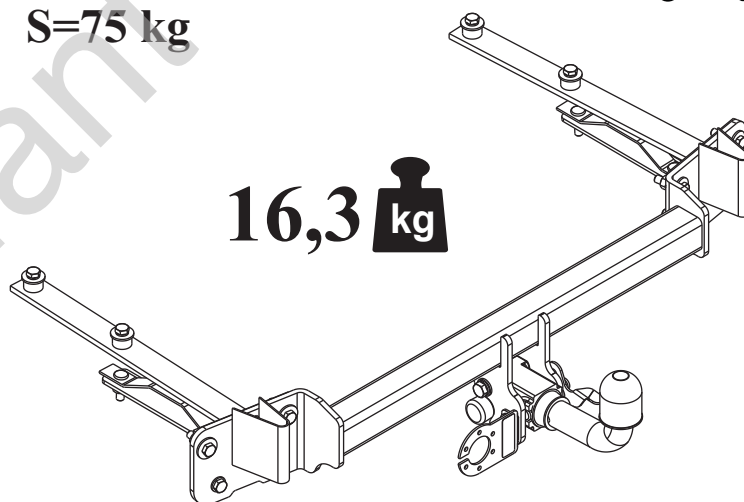


R=1800 kg



S=75 kg

**16,3 kg**



**2h**



M6 - 11 Nm  
M10 - 50 Nm  
M14 - 138 Nm

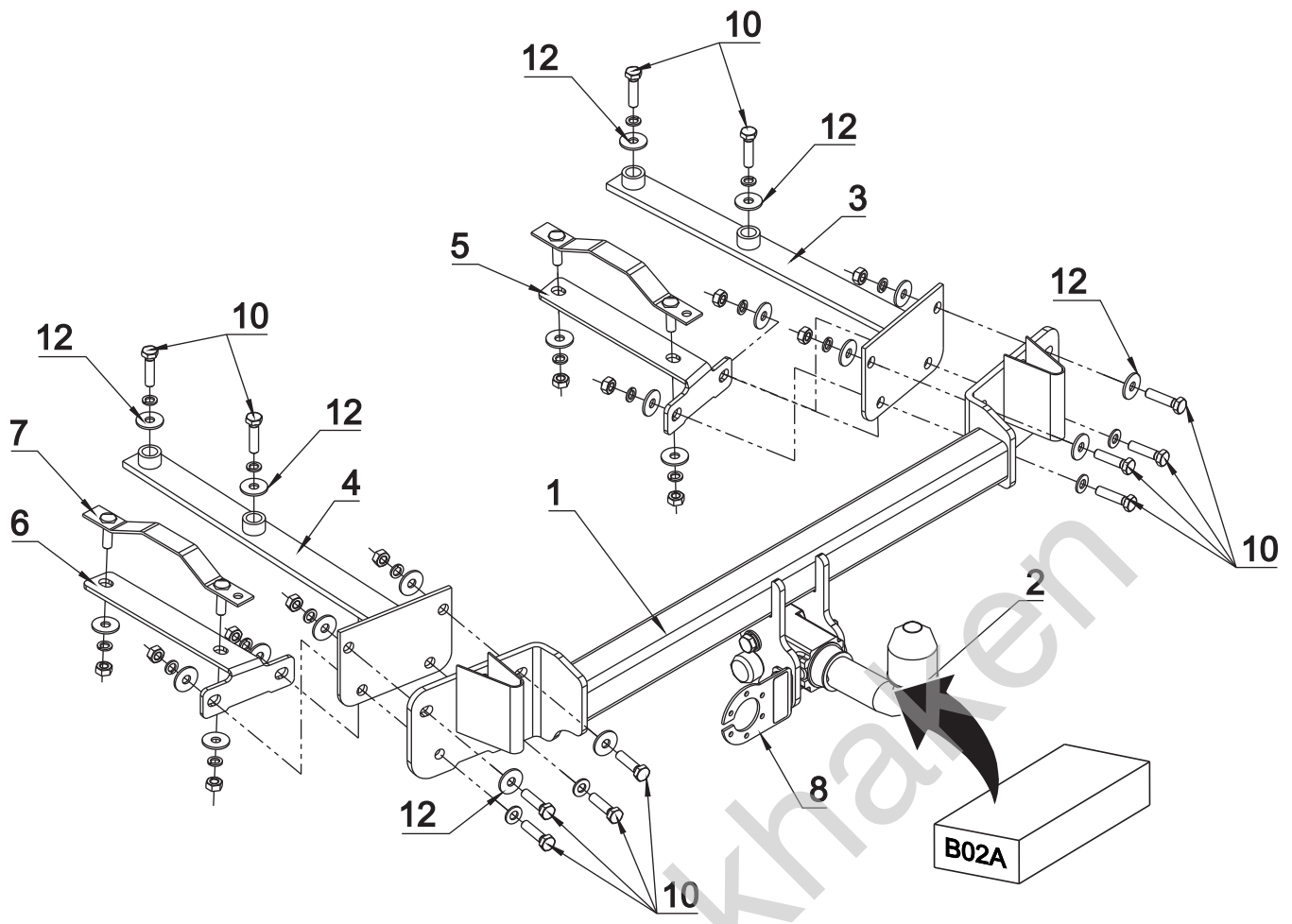
M8 - 25 Nm  
M12 - 87 Nm  
M16 - 210 Nm

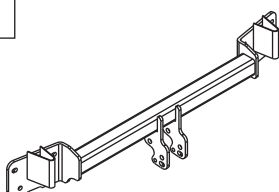


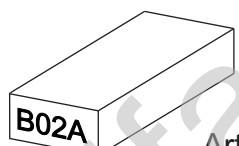



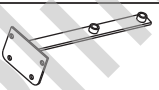
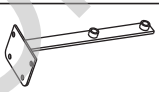
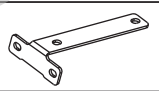
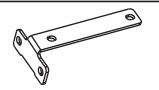
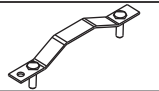
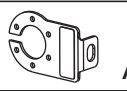



0 km →

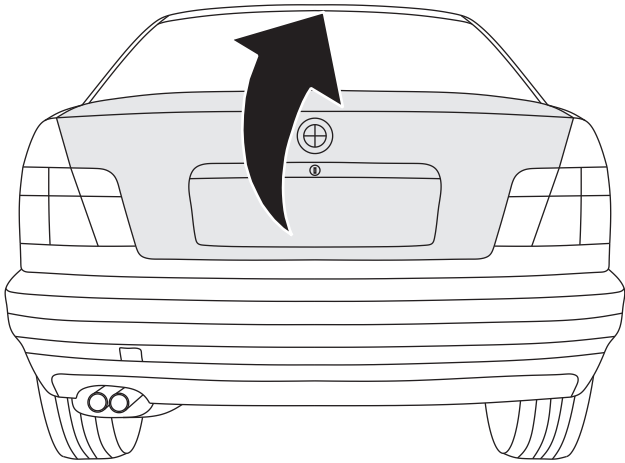


1000 km

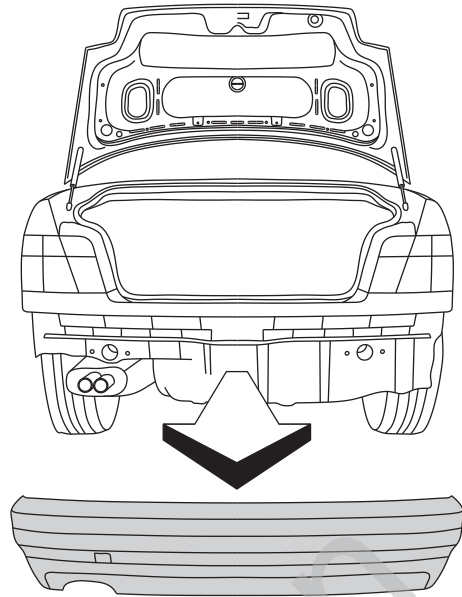


	x1		10 M10x40	12
				11 $\varnothing$ 10.5
 Art.nr-KL1B02A	x1		12 $\varnothing$ 30x $\varnothing$ 10.5x2.5	20
				13 $\varnothing$ 10.2
			14 M10	12
	x1			
	x1			
	x1			
	x1			
	x2			
 Art.nr-BL1B02A	x1			
	x1			

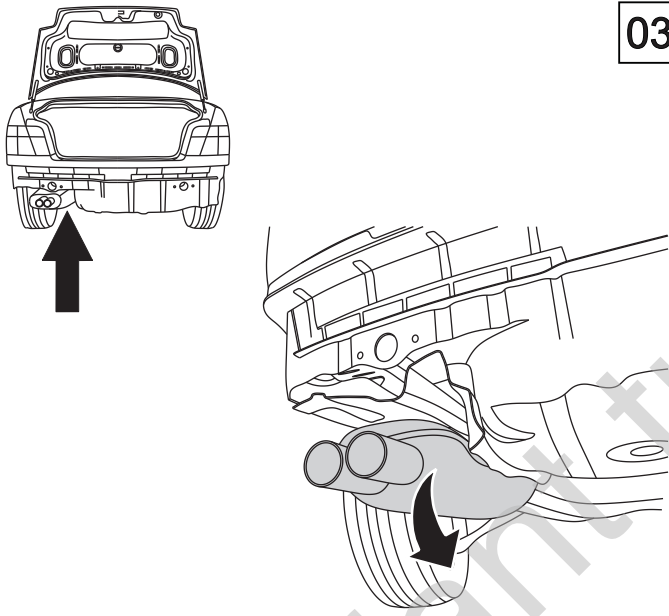
01



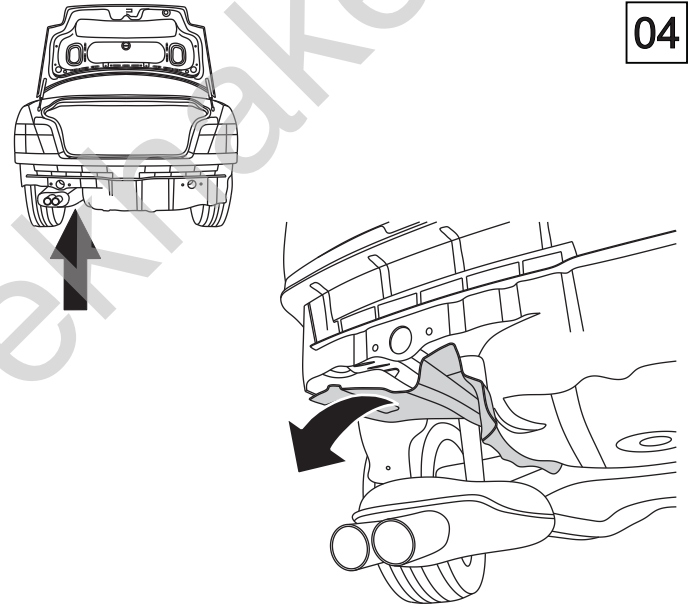
02



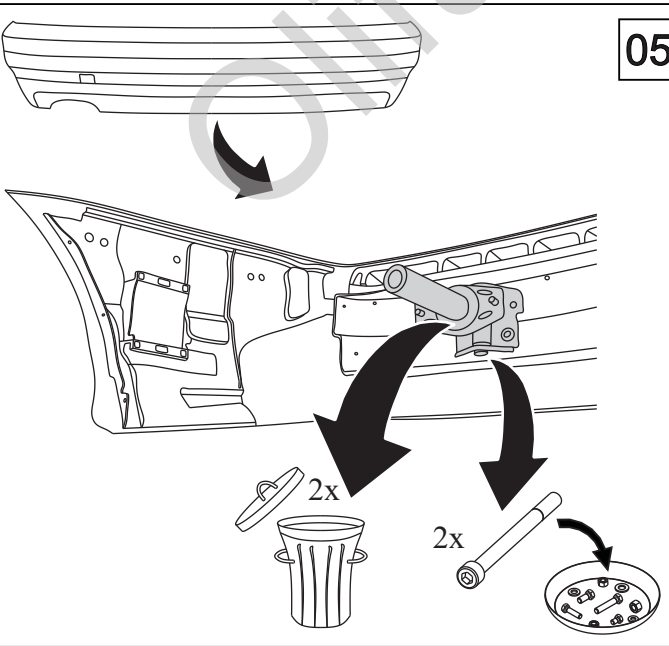
03



04



05



06

