

# AUTO-HAK Sp. z o.o.

ul. Słoneczna 16K 76-200 SŁUPSK  
POLAND

tel/fax +48 59 8 414 414; +48 59 8 414 413

e-mail: [office@autohak.com.pl](mailto:office@autohak.com.pl)

[www.autohak.com.pl](http://www.autohak.com.pl)



# AUTO-HAK



## BMW 3 Seria (E36)

4D, Coupe, Cabrio, ~~M Pakiet/M3~~

⌚ 09.1990 → 04.1999

## BMW 3 Seria (E36) Touring

Kombi, ~~M Pakiet~~


⌚ 01.1995 → 08.1999

Cat. no:

# B02

**e20** e20\*94/20\*0650\*00

**D** 9,3 kN

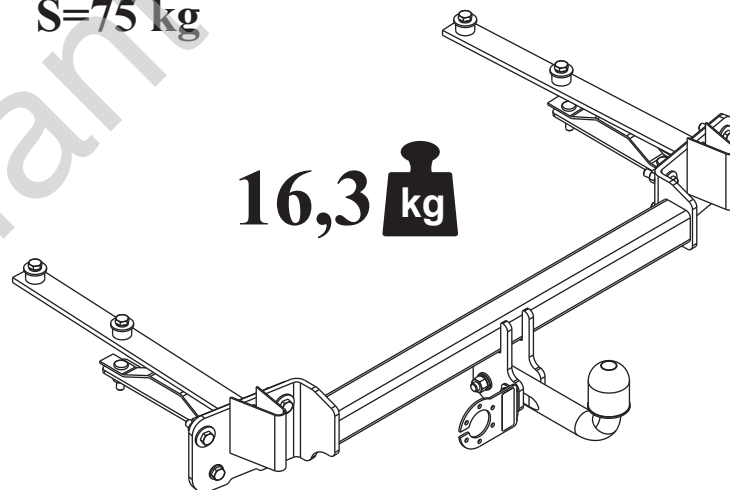
 R=1800 kg

 S=75 kg

**16,3 kg**



**2h**



M6 - 11 Nm  
M10 - 50 Nm  
M14 - 138 Nm

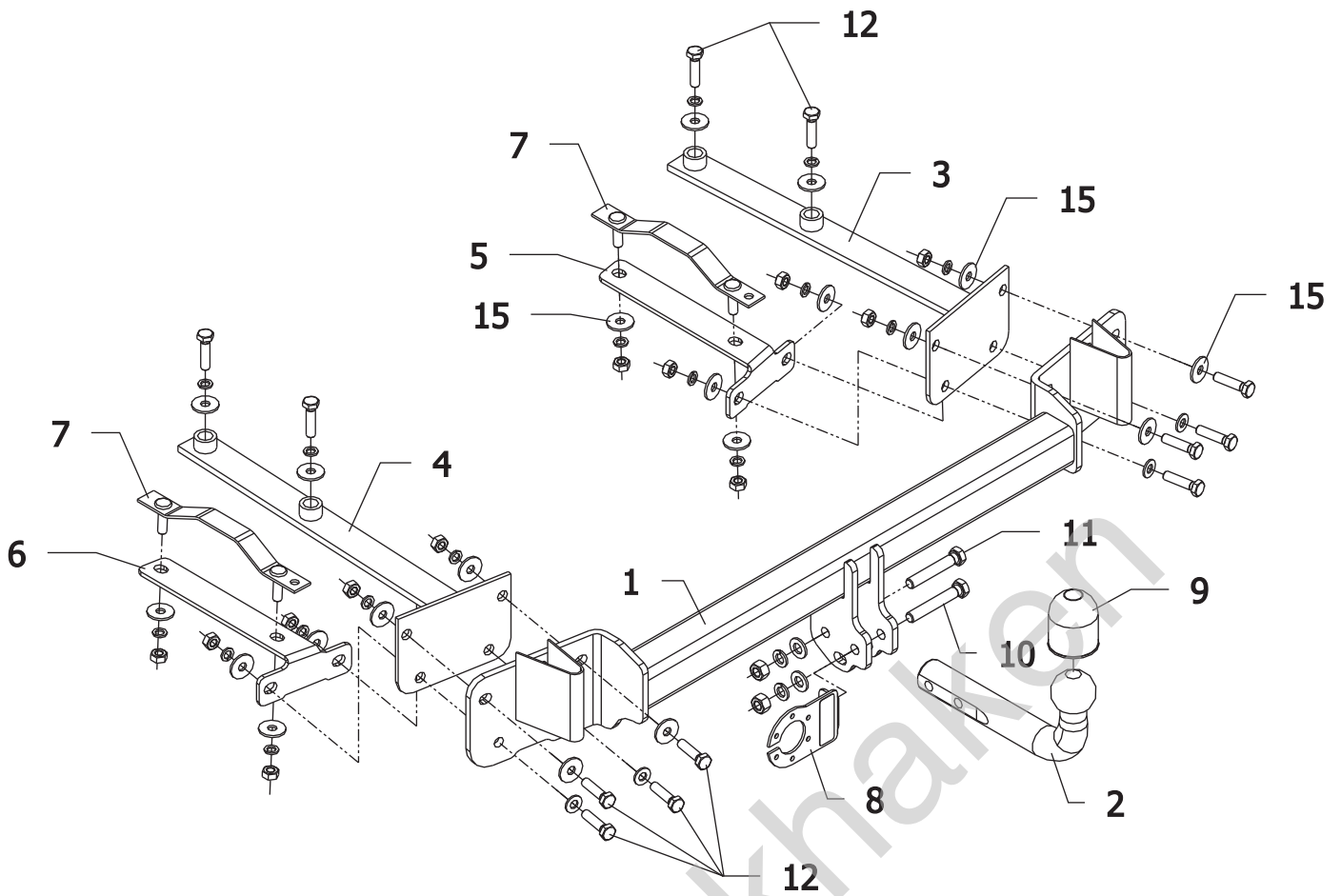
M8 - 25 Nm  
M12 - 87 Nm  
M16 - 210 Nm

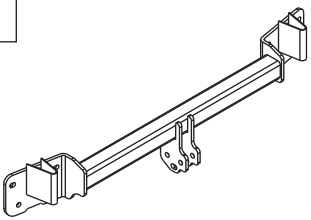

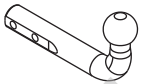

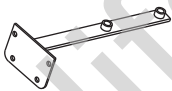


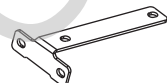

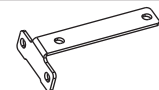
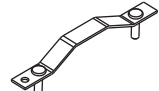
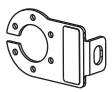



0 km →

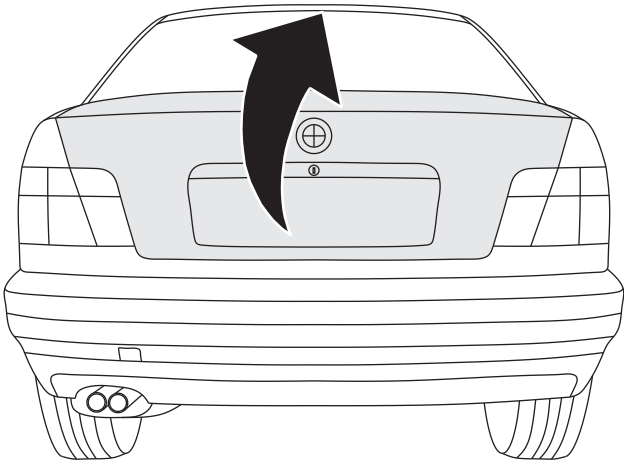


1000 km

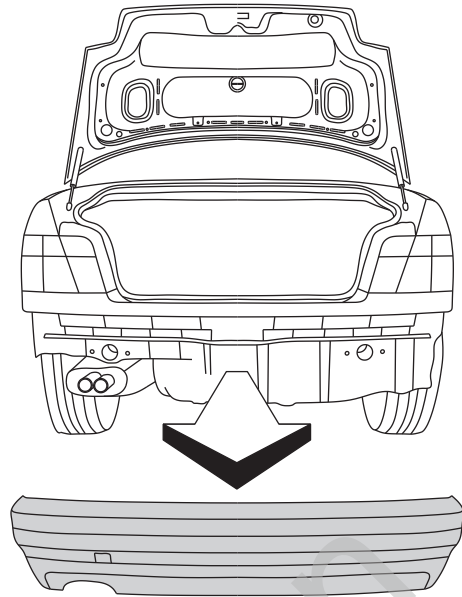


	x1		10	M12x75	1
			11	M12x70	1
			12	M10x40	12
			13	∅ 13	2
			14	∅ 10.5	4
	x1		15	∅ 30x∅10.5x2.5 10 DIN 9021	20
	x1		16	∅ 12.2	2
	x1		17	∅ 10.2	16
			18	M12	2
	x1		19	M10	12
				x1	
	x2				
	x1				
	x1				

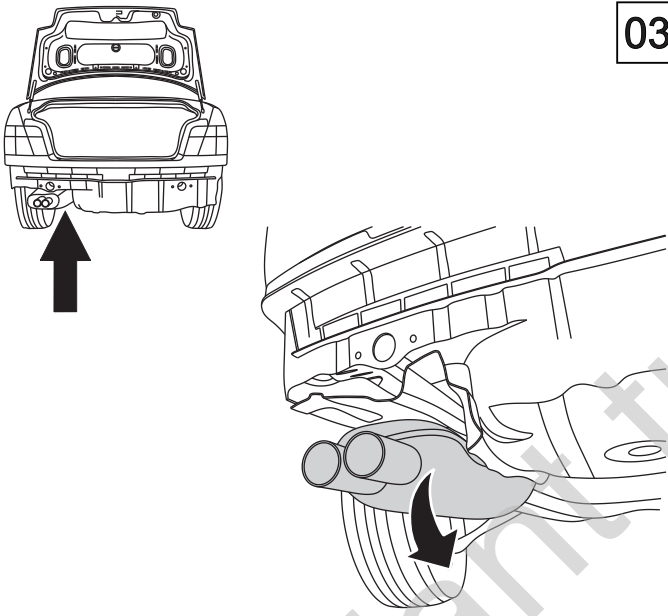
01



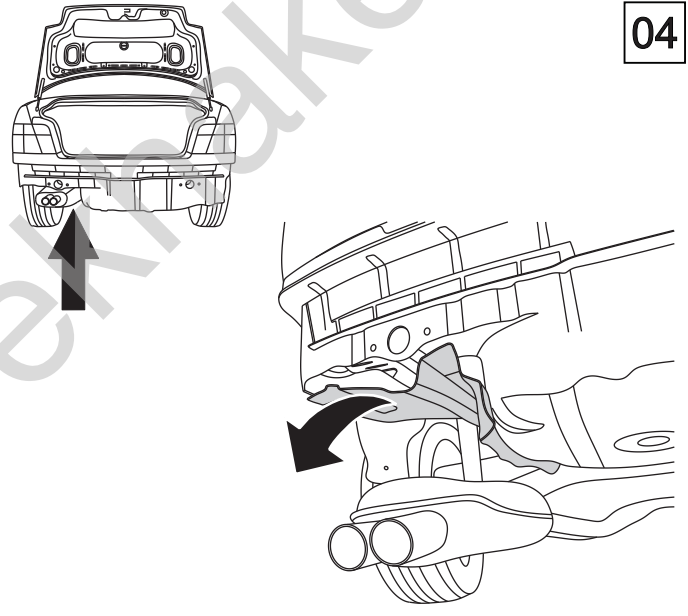
02



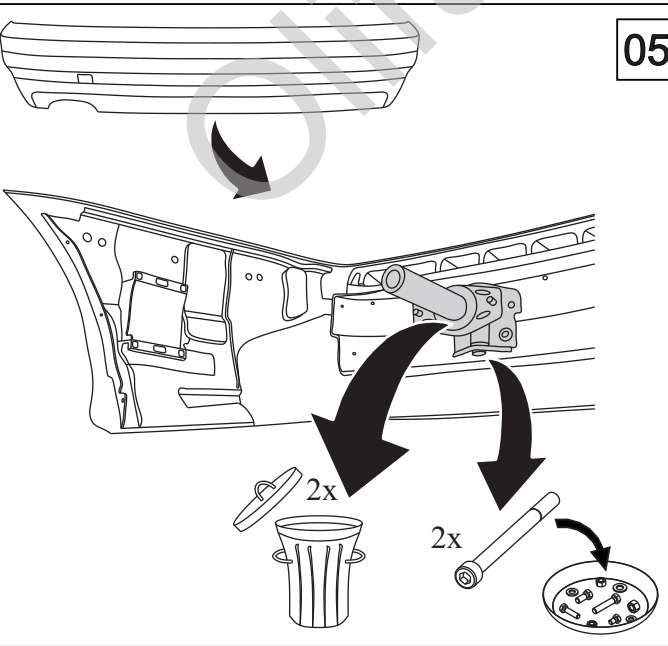
03



04



05



06

