

AUTO-HAK Sp. z o.o.

ul. Słoneczna 16K 76-200 SŁUPSK
POLAND

tel/fax +48 59 8 414 414; +48 59 8 414 413

e-mail: office@autohak.com.pl

www.autohak.com.pl



AUTO-HAK

ALFA ROMEO TONALE

Nr kat.

AL43A



03.2022 →



E20*55R02*6650



9,0 kN



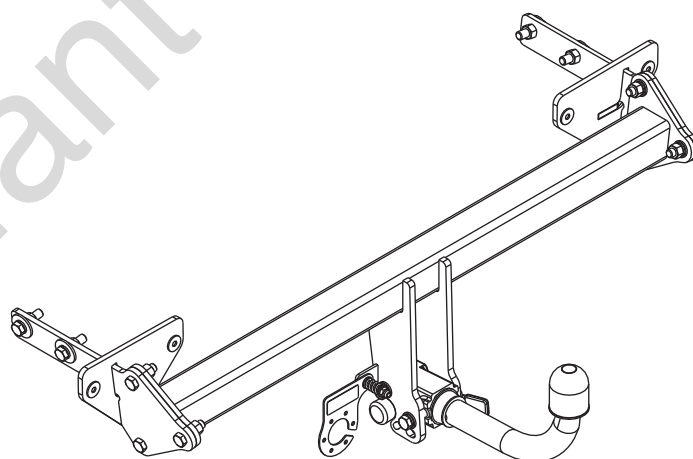
R=1600 kg



S=100 kg



2h



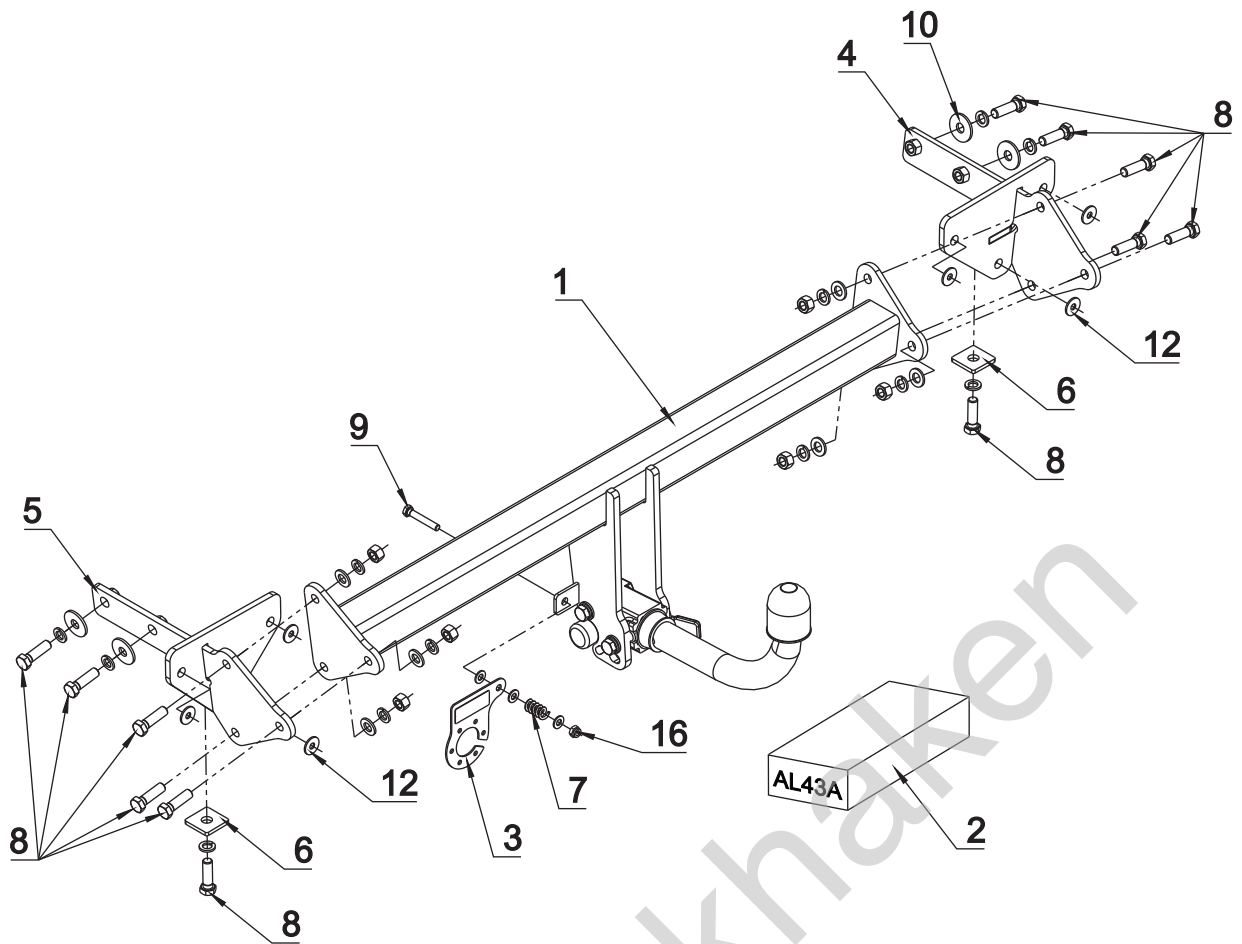
| śruba | Nm | M6 | M8 | M10 | M12 | M14 | M16 |
|------------|----|-----|----|-----|-----|-----|-----|
| klasa 8.8 | | 9,9 | 24 | 48 | 83 | 132 | 200 |
| klasa 10.9 | | 14 | 34 | 67 | 117 | 185 | 285 |

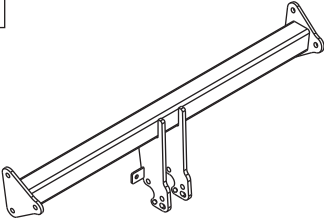

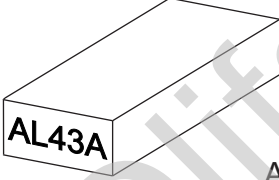



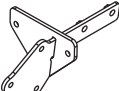
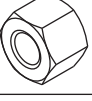
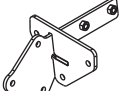




0 km →



1000 km



| | | | | |
|--|----|---|--|-----|
|  | x1 |  | 8 M12x40 | x12 |
| | | | 9 M8x50 | x1 |
| | | | 10 \varnothing 37x \varnothing 13x3 13 DIN 9021 | 4 |
| | | | 11 \varnothing 13 | x6 |
|  Art.nr-KL1AL43A | x1 |  | 12 \varnothing 24x \varnothing 8.4x2 8 DIN 9021 | 6 |
| | | | 13 \varnothing 8.4 | x3 |
| | | | 14 \varnothing 12.2 | x12 |
|  | x1 |  | 15 M12 | x6 |
| Art.nr-BL12AL43A | | | | |
|  | x1 |  | 16 M8 (DIN985) | x1 |
|  | x1 | | | |
|  | x2 | | | |
|  | x1 | | | |

