

AUTO-HAK Sp. z o.o.

ul. Słoneczna 16K 76-200 SŁUPSK
POLAND

tel/fax +48 59 8 414 414; +48 59 8 414 413

e-mail: office@autohak.com.pl

www.autohak.com.pl



AUTO-HAK

ALFA ROMEO TONALE

Nr kat.

AL43



03.2022 →



E20*55R02*6651



9,0 kN



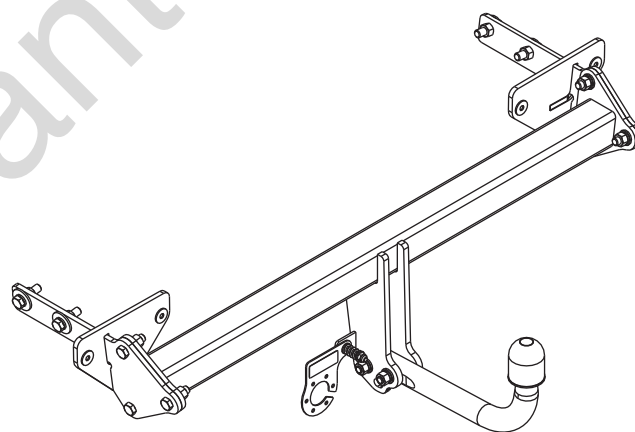
R=1600 kg



S=100 kg



2h



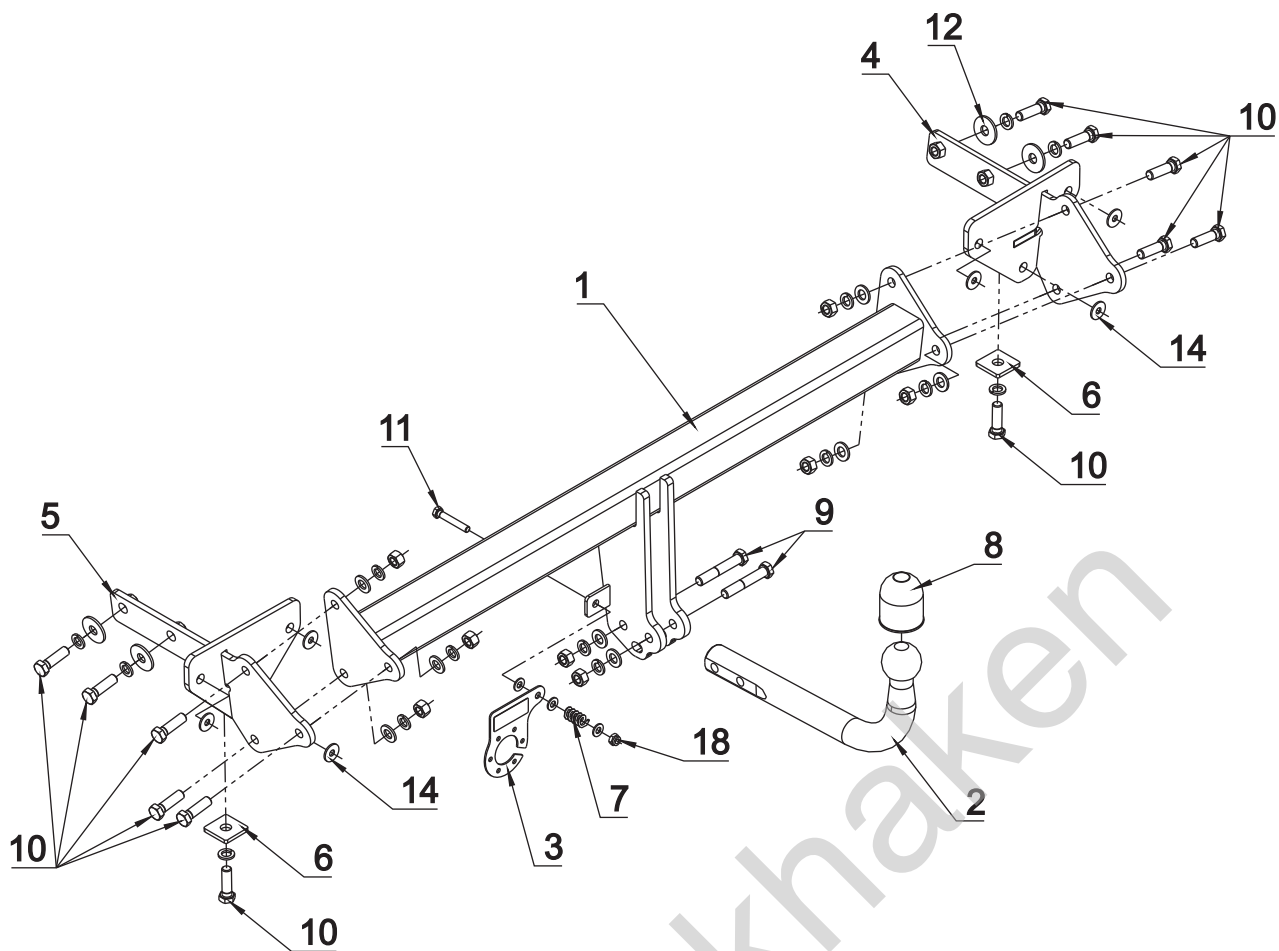
śruba	Nm	M6	M8	M10	M12	M14	M16
klasa 8.8		9,9	24	48	83	132	200
klasa 10.9		14	34	67	117	185	285

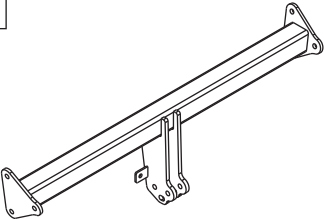


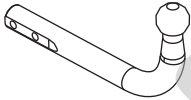

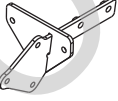

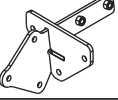


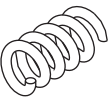




0 km →



1000 km



1		x 1		9 M 12x75	x 2
				10 M 12x40	x 12
				11 M 8x50	x 1
				12 \varnothing 37x \varnothing 13x3 13 DIN 9021	4
2	 Art.nr-KL1AL43	x 1		13 \varnothing 13	x 8
3	 Art.nr-BL12AL43	x 1		14 \varnothing 24x \varnothing 8.4x2 8 DIN 9021	6
4		x 1		15 \varnothing 8.4	x 3
5		x 1		16 \varnothing 12.2	x 14
6		x 2		17 M 12	x 8
7		x 1		18 M 8 (DIN985)	x 1
8		x 1			

