

# PPUH AUTO-HAK Sp.J.

Henryk i Zbigniew Nejman  
ul. Słoneczna 16K 76-200 SŁUPSK  
POLAND

tel/fax +48 59 8 414 414; +48 59 8 414 413

e-mail: [office@autohak.com.pl](mailto:office@autohak.com.pl)

[www.autohak.com.pl](http://www.autohak.com.pl)



# AUTO-HAK

## ALFA ROMEO GIULIA 4 drz.

Cat. no:

**AL42A**



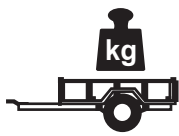
05.2016 →



E20-55R-01 5361



9,2 kN



R=1600 kg



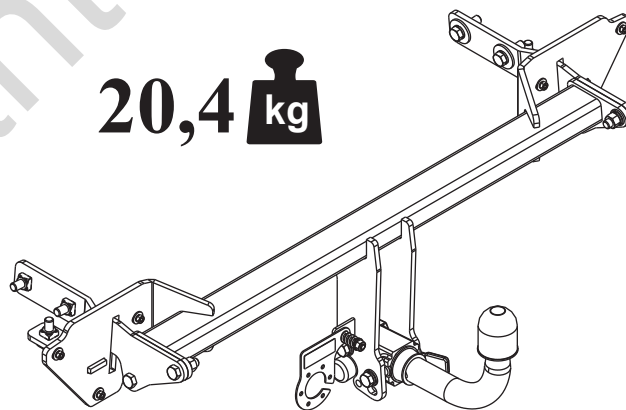
S=100 kg



2h



20,4 kg



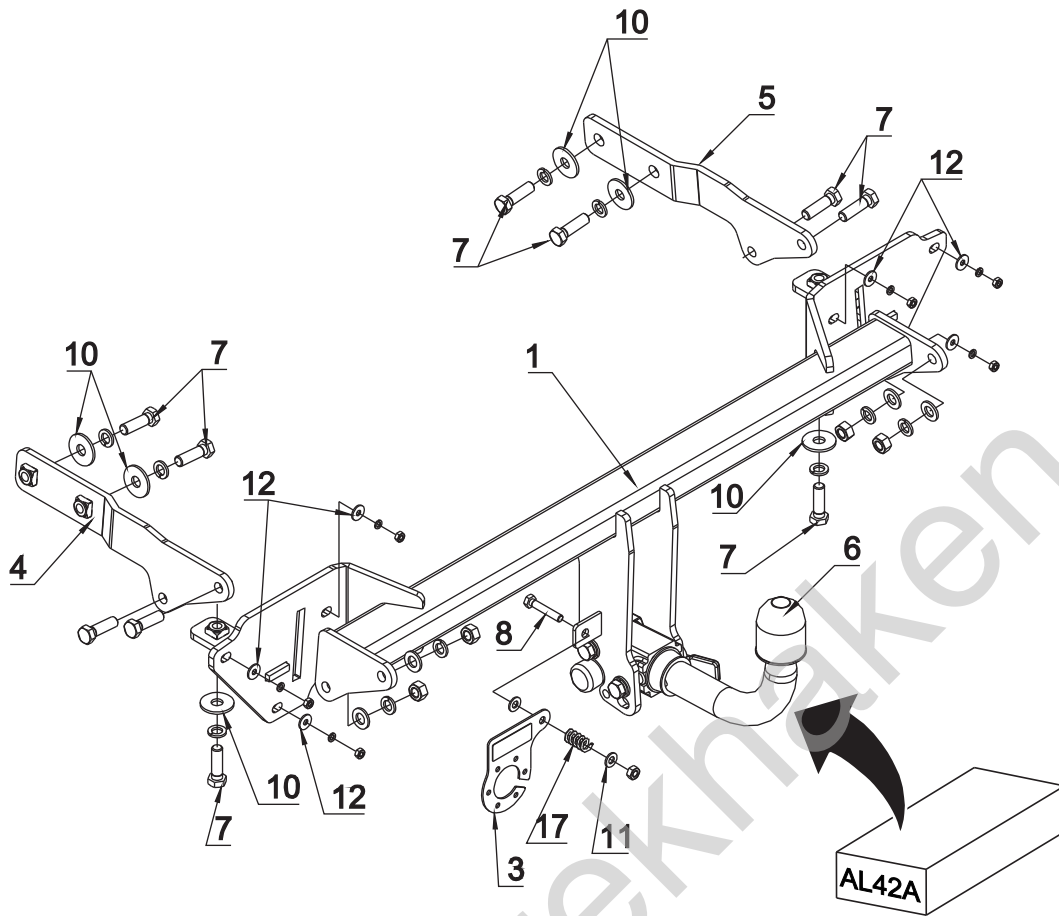
śruba	Nm	M6	M8	M10	M12	M14	M16
klasa 8.8		9,9	24	48	83	132	200
klasa 10.9		14	34	67	117	185	285

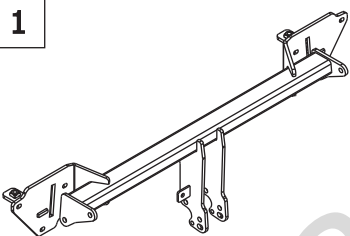




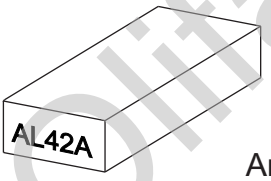


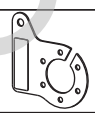





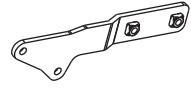




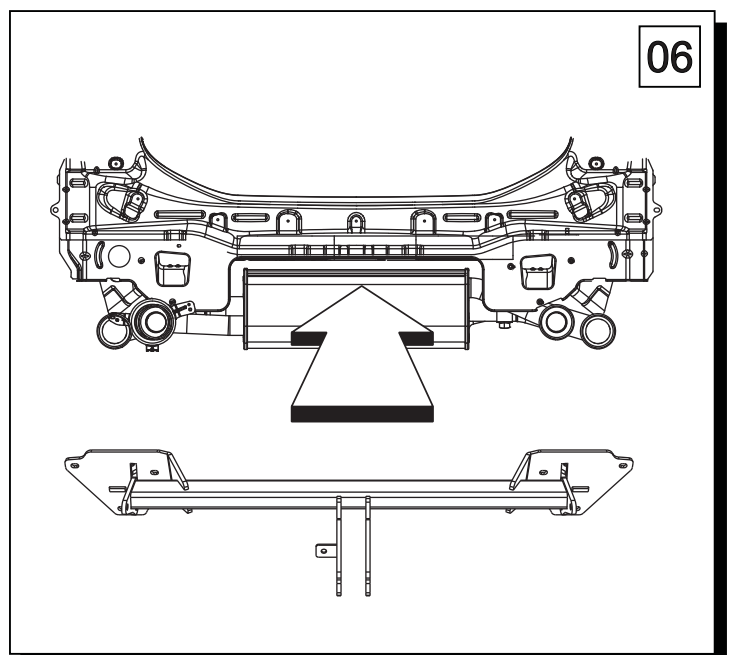
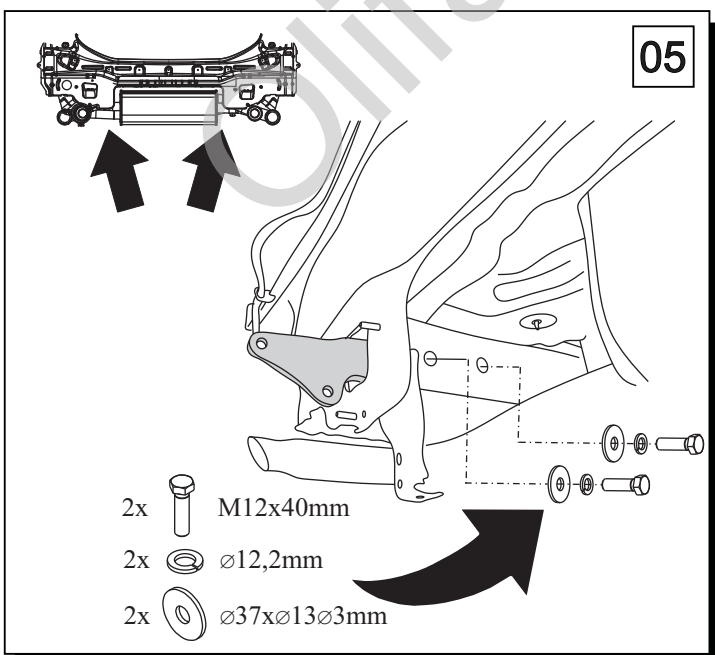
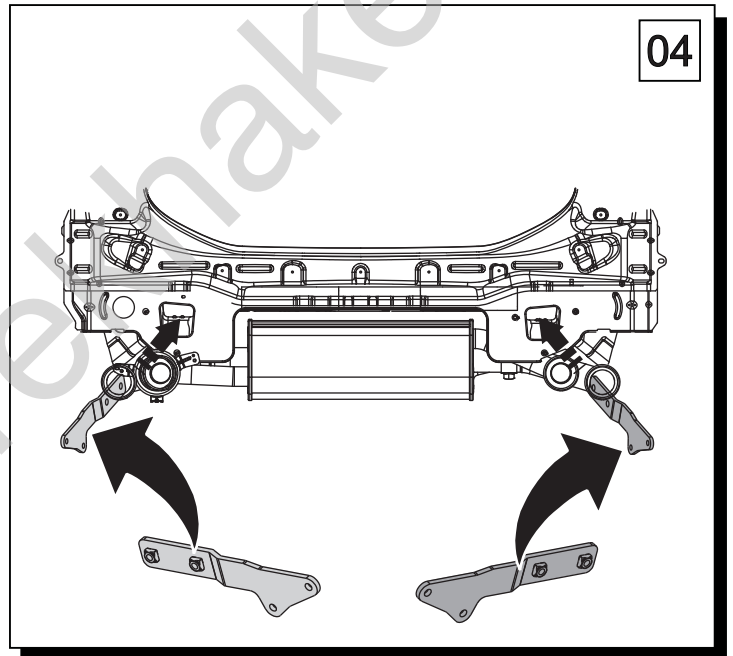
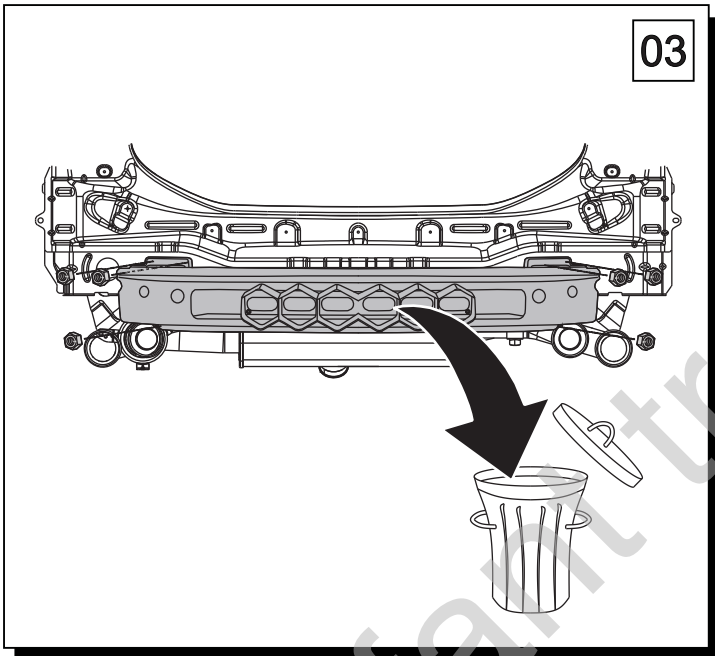
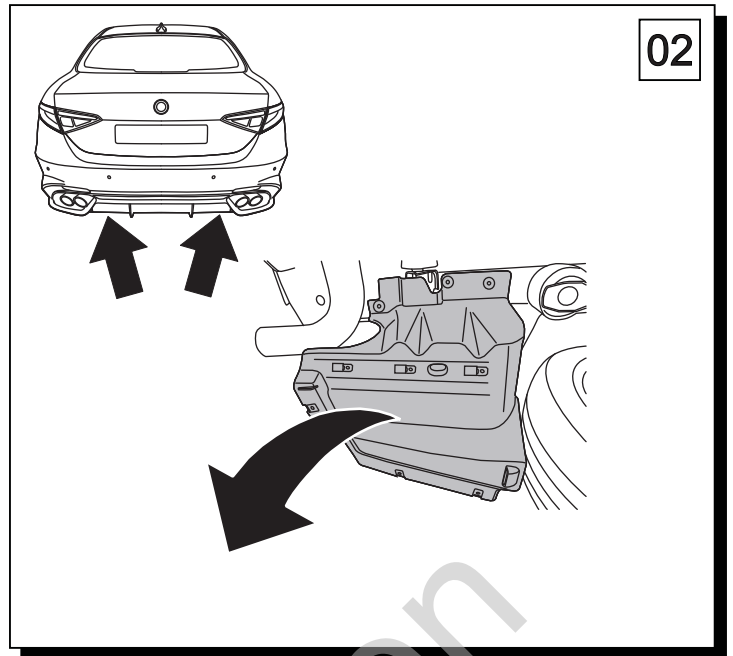
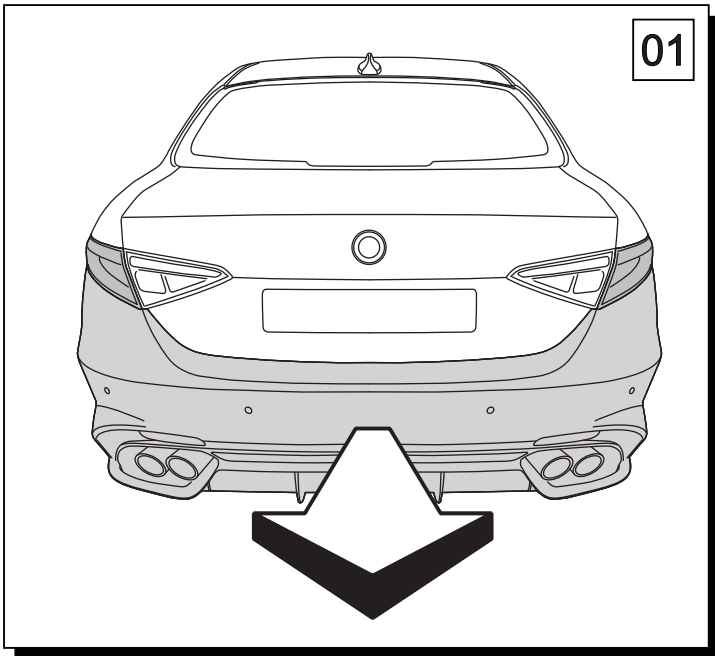
0 km →



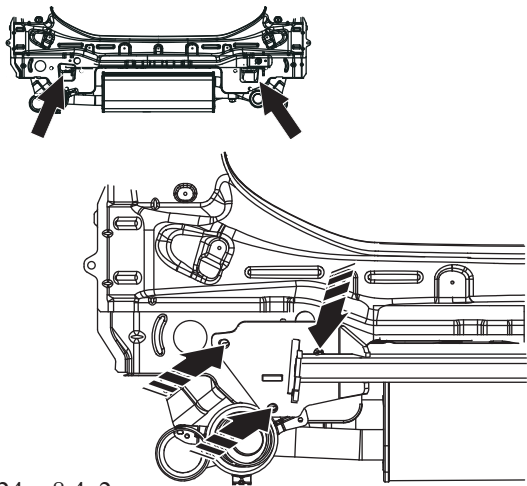
1000 km




1		x 1		7 M12x40	x 10
				8 M 8x45	x 1
				9 $\varnothing$ 13	x 4
				10 $\varnothing$ 37x $\varnothing$ 13x3 13 (DIN 9021)	x 6
2		x 1		11 $\varnothing$ 8,4	x 6
	Art.nr-KL1AL42A			12 $\varnothing$ 24x $\varnothing$ 8.5x2 8 (DIN 9021)	x 6
3		x 1		13 $\varnothing$ 12,2	x 10
	Art.nr-BL1AL42A			14 $\varnothing$ 8,2	x 6
4		x 1		15 M12	x 4
				16 M 8	x 7
5		x 1	17		x 1
6		x 1			



07

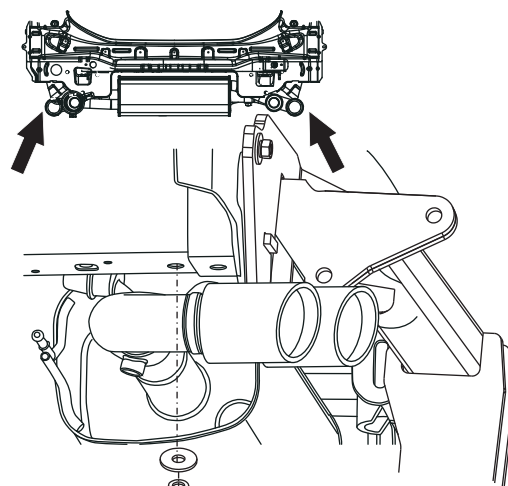



2x   $\varnothing 24 \times \varnothing 8,4 \times 2 \text{mm}$


2x   $\varnothing 8,2 \text{mm}$

2x  M8

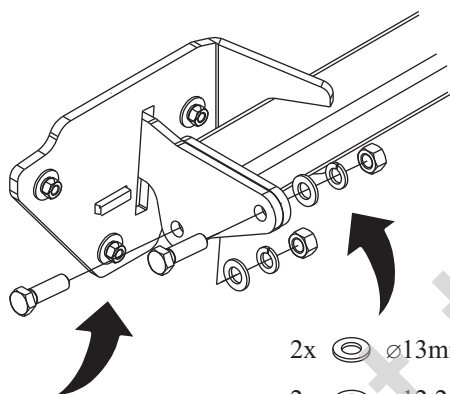
08



1x   $\varnothing 12,2 \text{mm}$

1x   $\varnothing 37 \times \varnothing 13 \times 3 \text{mm}$

09



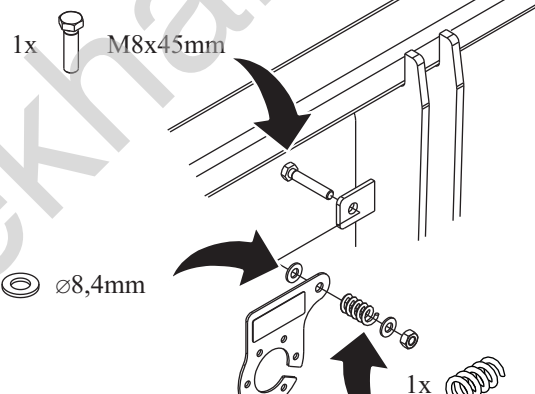
1x  M12x40mm

2x   $\varnothing 13 \text{mm}$

2x   $\varnothing 12,2 \text{mm}$

2x  M12

10



1x  M8x45mm

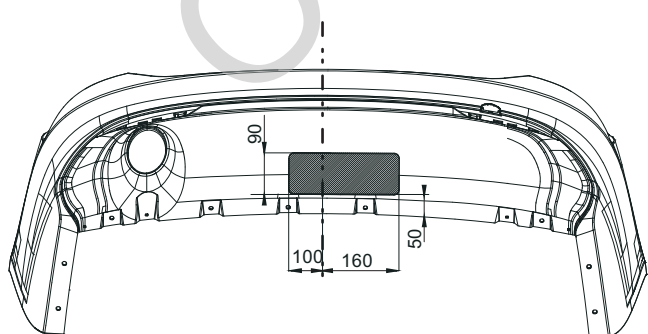
1x   $\varnothing 8,4 \text{mm}$

1x 

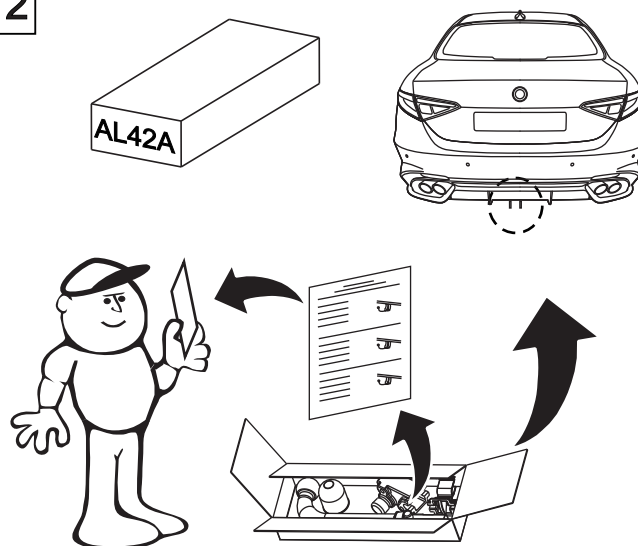
1x   $\varnothing 8,4 \text{mm}$

1x  M8

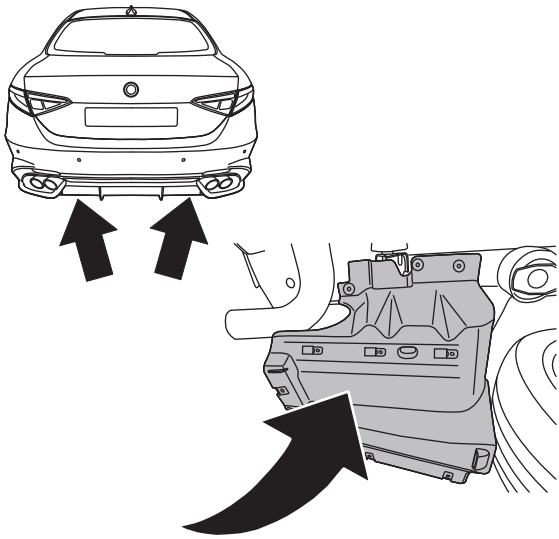
11



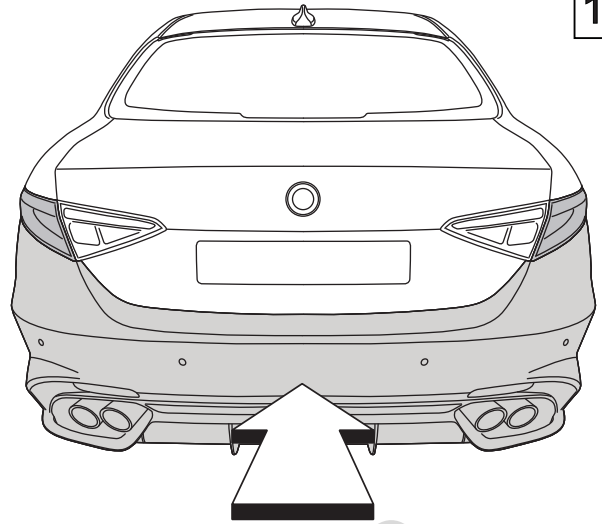
12



13



14



Olifant trekhaken