

PPUH AUTO-HAK Sp.J.

Henryk i Zbigniew Nejman
ul. Słoneczna 16K 76-200 SŁUPSK
POLAND

tel/fax +48 59 8 414 414; +48 59 8 414 413

e-mail: office@autohak.com.pl

www.autohak.com.pl



AUTO-HAK

ALFA ROMEO GIULIA 4 drz.

Cat. no:

AL42



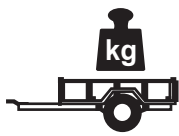
05.2016 →



E20-55R-01 5360



9,2 kN



R=1600 kg



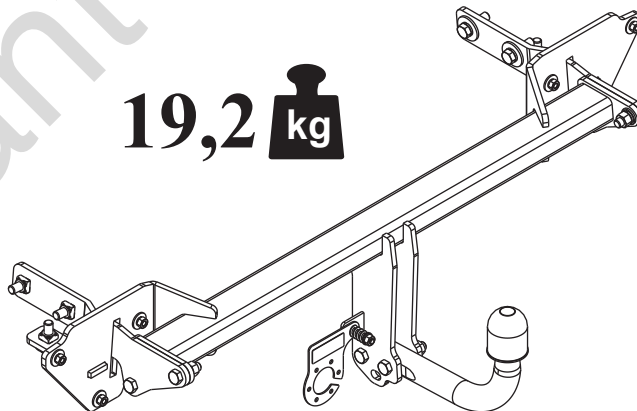
S=100 kg



2h



19,2  kg



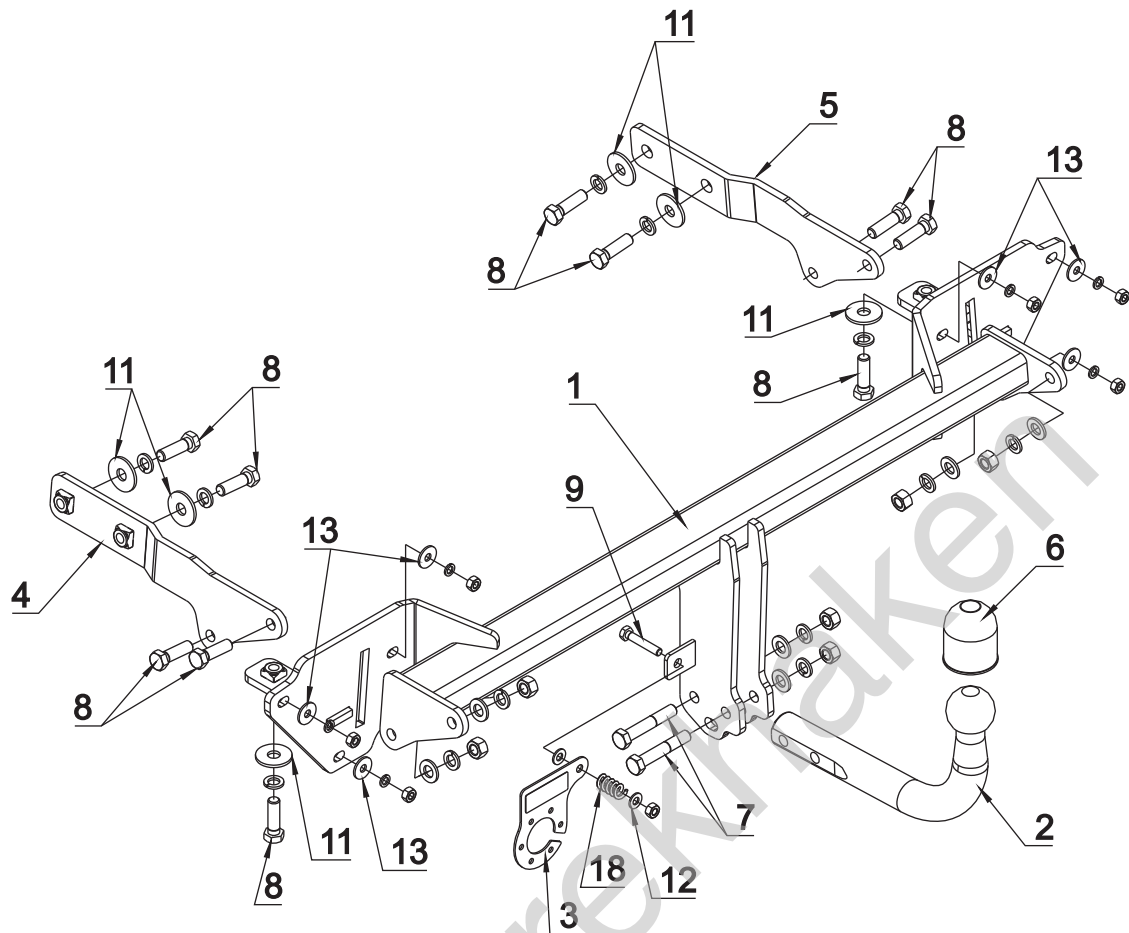
| śruba | Nm | M6 | M8 | M10 | M12 | M14 | M16 |
|------------|----|-----|----|-----|-----|-----|-----|
| klasa 8.8 | | 9,9 | 24 | 48 | 83 | 132 | 200 |
| klasa 10.9 | | 14 | 34 | 67 | 117 | 185 | 285 |



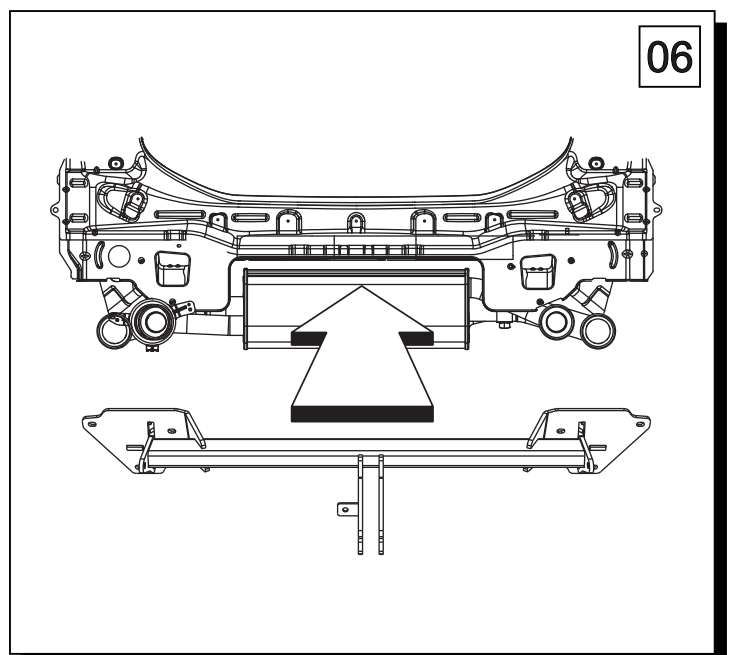
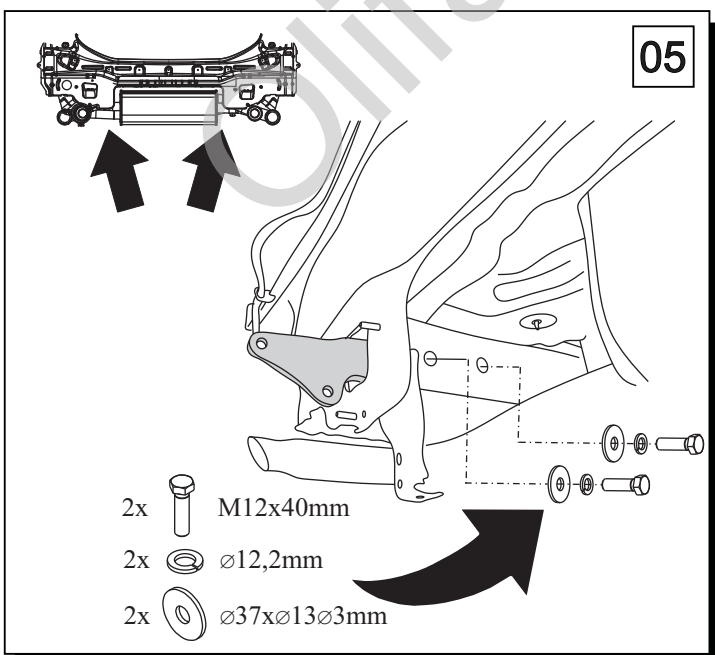
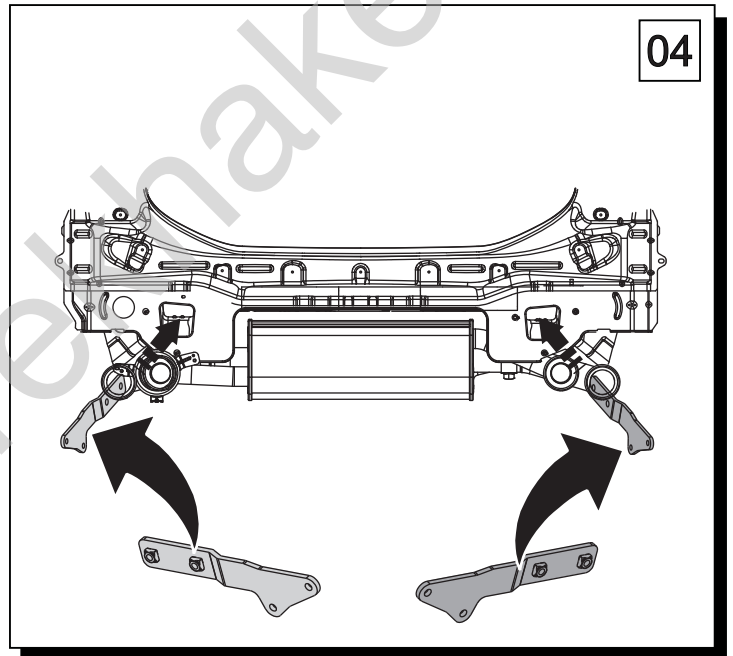
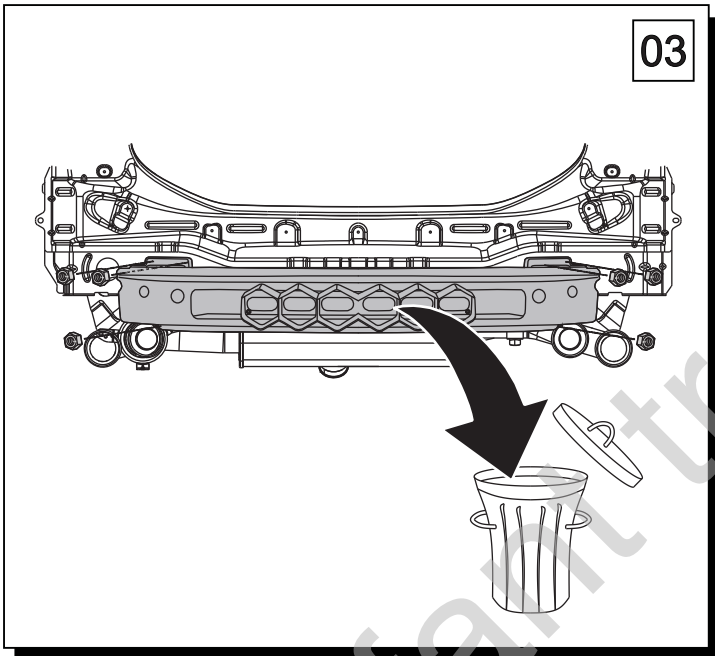
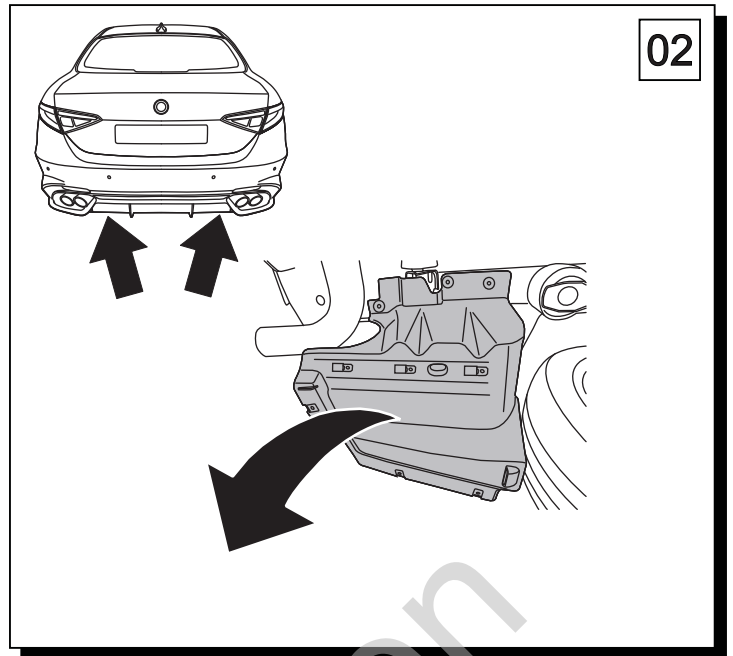
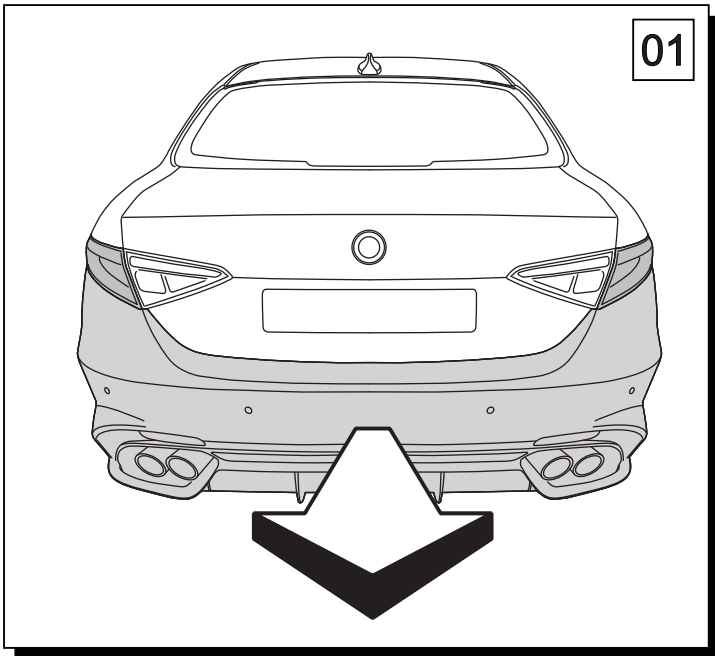
0 km →



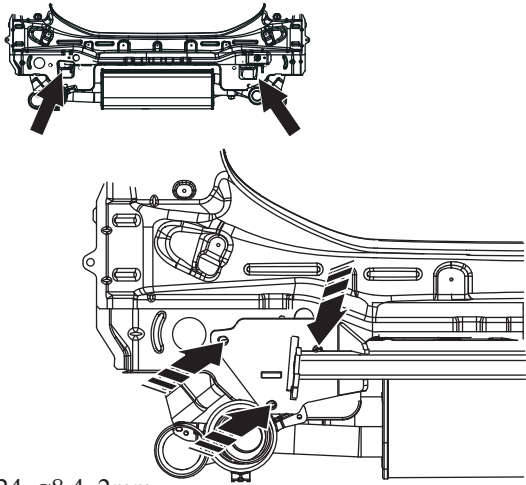
1000 km



| | | | | | |
|---|--|-----|--|--|------|
| 1 | | x 1 | | 7 M12x70 | x 2 |
| 2 | | x 1 | | 8 M12x40 | x 10 |
| 3 | | x 1 | | 9 M8x45 | x 1 |
| 4 | | x 1 | | 10 ϕ 13 | x 6 |
| 5 | | x 1 | | 11 ϕ 37x ϕ 13x3 13 (DIN 9021) | x 6 |
| 6 | | x 1 | | 12 ϕ 8,4 | x 6 |
| | | | | 13 ϕ 24x ϕ 8.5x2 8 (DIN 9021) | x 6 |
| | | | | 14 ϕ 12,2 | x 12 |
| | | | | 15 ϕ 8,2 | x 6 |
| | | | | 16 M12 | x 6 |
| | | | | 17 M8 | x 7 |
| | | | | 18 | x 1 |

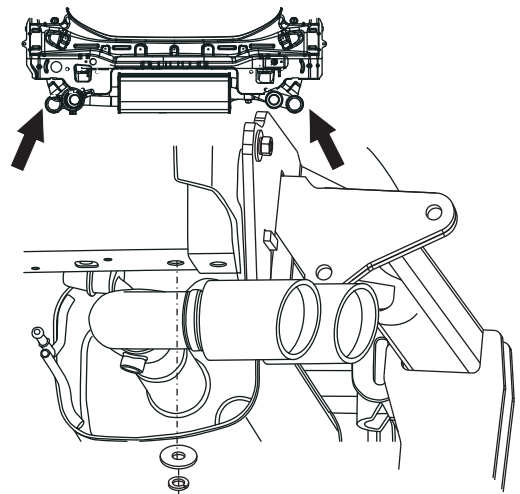


07



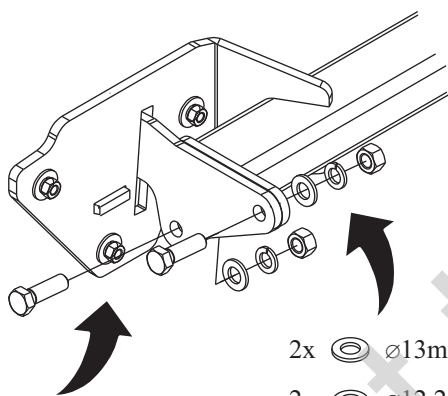
- 2x $\varnothing 24 \times \varnothing 8,4 \times 2 \text{mm}$
- 2x $\varnothing 8,2 \text{mm}$
- 2x M8

08



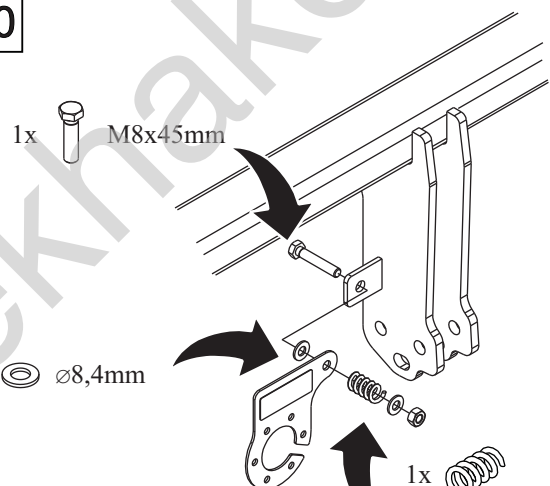
- 1x $\varnothing 12,2 \text{mm}$
- 1x $\varnothing 37 \times \varnothing 13 \times 3 \text{mm}$

09



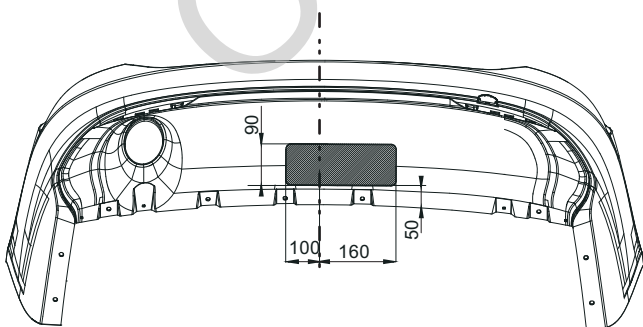
- 1x M12x40mm
- 2x $\varnothing 13 \text{mm}$
- 2x $\varnothing 12,2 \text{mm}$
- 2x M12

10

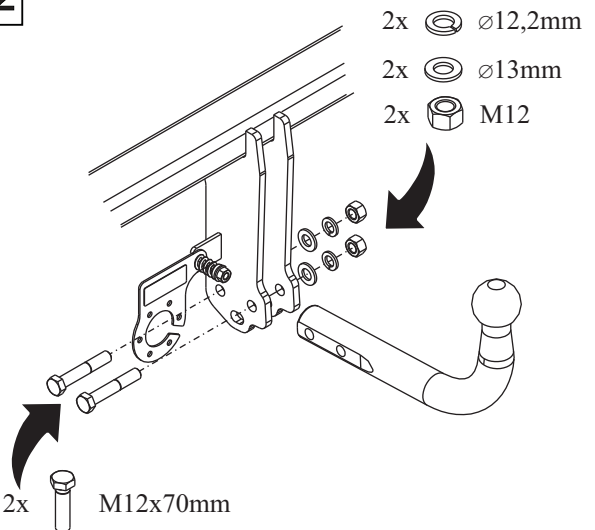


- 1x M8x45mm
- 1x $\varnothing 8,4 \text{mm}$
- 1x
- 1x $\varnothing 8,4 \text{mm}$
- 1x M8

11

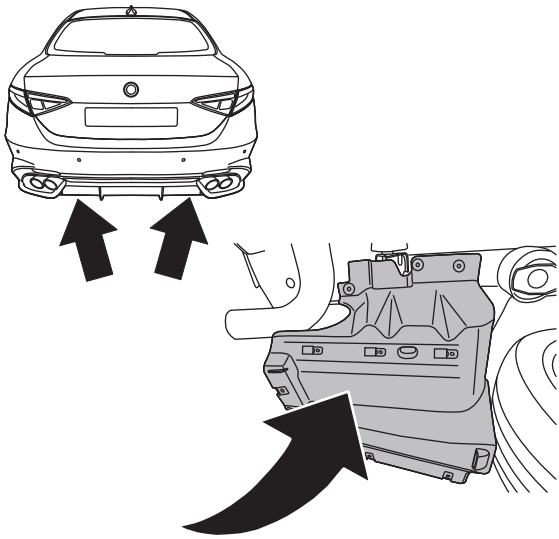


12

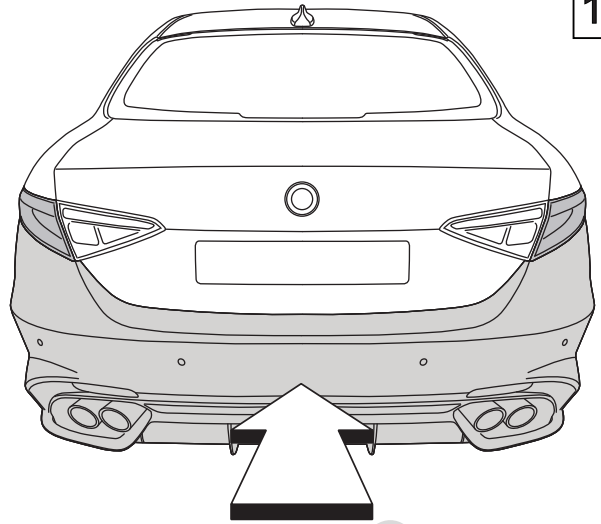


- 2x $\varnothing 12,2 \text{mm}$
- 2x $\varnothing 13 \text{mm}$
- 2x M12
- 2x M12x70mm

13



14



Olifant trekhaken