

# AUTO-HAK Sp. z o.o.

ul. Słoneczna 16K 76-200 SŁUPSK  
POLAND

tel/fax +48 59 8 414 414; +48 59 8 414 413

e-mail: [office@autohak.com.pl](mailto:office@autohak.com.pl)

[www.autohak.com.pl](http://www.autohak.com.pl)



# AUTO-HAK

## ALFA ROMEO STELVIO (SUV)

~~2.9 V6 GME BI-TURBO  
QUADRIFOGLIO~~

Cat. no:

**AL41**



11.2016 →



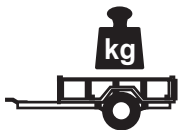
E20-55R-01 5198



2h



11,35 kN



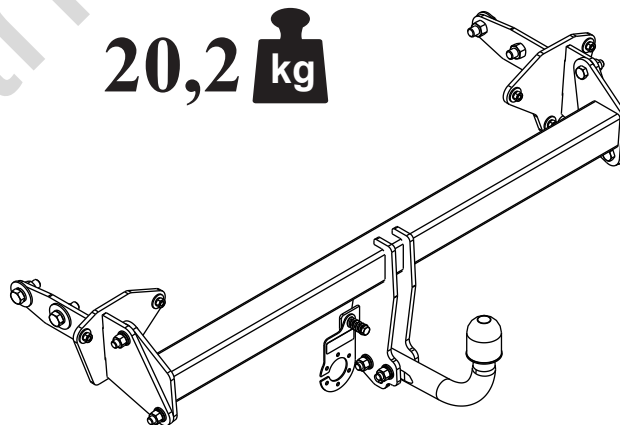
R=2300 kg



S=95 kg



20,2 kg



M6 - 8,5 Nm  
M10 - 41 Nm  
M14 - 112 Nm

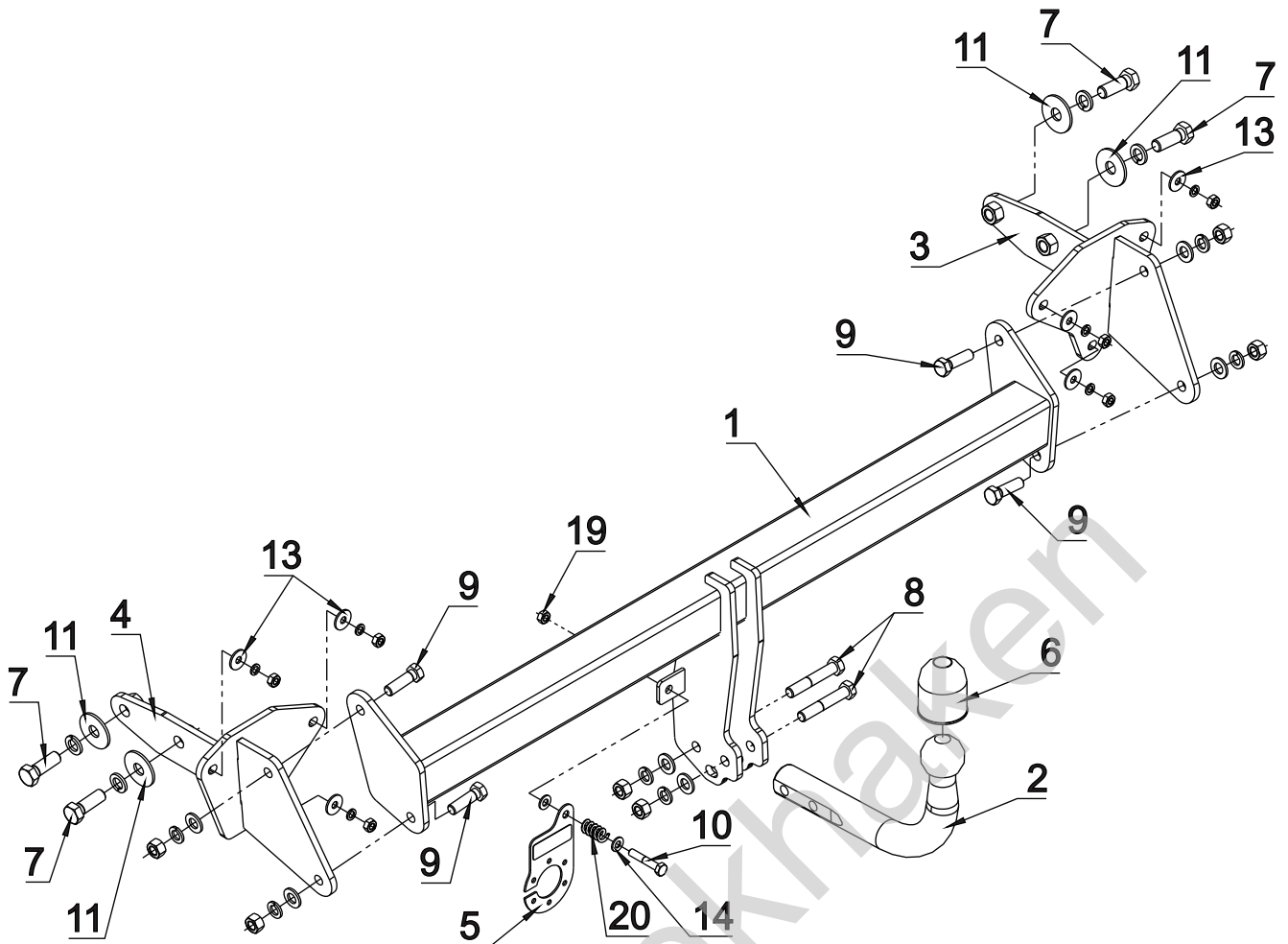
M8 - 20 Nm  
M12 - 70 Nm  
M16 - 170 Nm

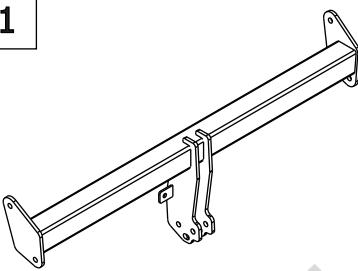

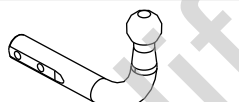
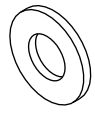
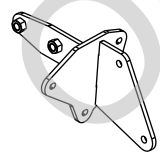
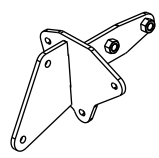

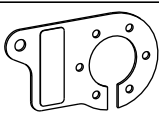
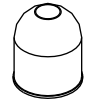

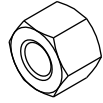
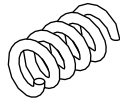


0 km →



1000 km



<b>1</b>		<b>x 1</b>		<b>7</b> M 14x40	<b>x 4</b>
<b>2</b>	 Art.nr-KL1AL41	<b>x 1</b>		<b>8</b> M 12x70	<b>x 2</b>
<b>3</b>		<b>x 1</b>		<b>9</b> M 12x40	<b>x 4</b>
<b>4</b>		<b>x 1</b>		<b>10</b> M 8x45	<b>x 1</b>
<b>5</b>	 Art.nr-BL1AL41	<b>x 1</b>		<b>11</b> $\varnothing$ 44x $\varnothing$ 15x3 15 (DIN 9021)	<b>x 4</b>
<b>6</b>		<b>x 1</b>		<b>12</b> $\varnothing$ 13	<b>x 6</b>
				<b>13</b> $\varnothing$ 24x $\varnothing$ 8.4x2 8 (DIN 9021)	<b>x 6</b>
				<b>14</b> $\varnothing$ 8.4	<b>x 2</b>
				<b>15</b> $\varnothing$ 14.2	<b>x 4</b>
				<b>16</b> $\varnothing$ 12.2	<b>x 6</b>
				<b>17</b> $\varnothing$ 8.2	<b>x 6</b>
				<b>18</b> M 12	<b>x 6</b>
				<b>19</b> M 8	<b>x 7</b>
			<b>20</b>		<b>x 1</b>

