

AUTO-HAK Sp. z o.o.

ul. Słoneczna 16K 76-200 SŁUPSK
POLAND

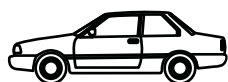
tel/fax +48 59 8 414 414; +48 59 8 414 413

e-mail: office@autohak.com.pl

www.autohak.com.pl



AUTO-HAK



ALFA ROMEO MITO
~~GTA~~

Cat. no:

AL40



09.2008 →



E20-55R-01 3712



7,1 kN



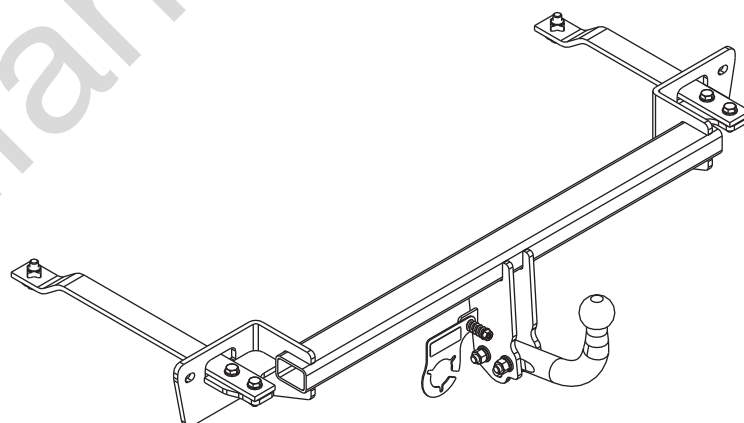
2h



R=1300 kg



S=75 kg



M6 - 11 Nm
M10 - 50 Nm
M14 - 138 Nm

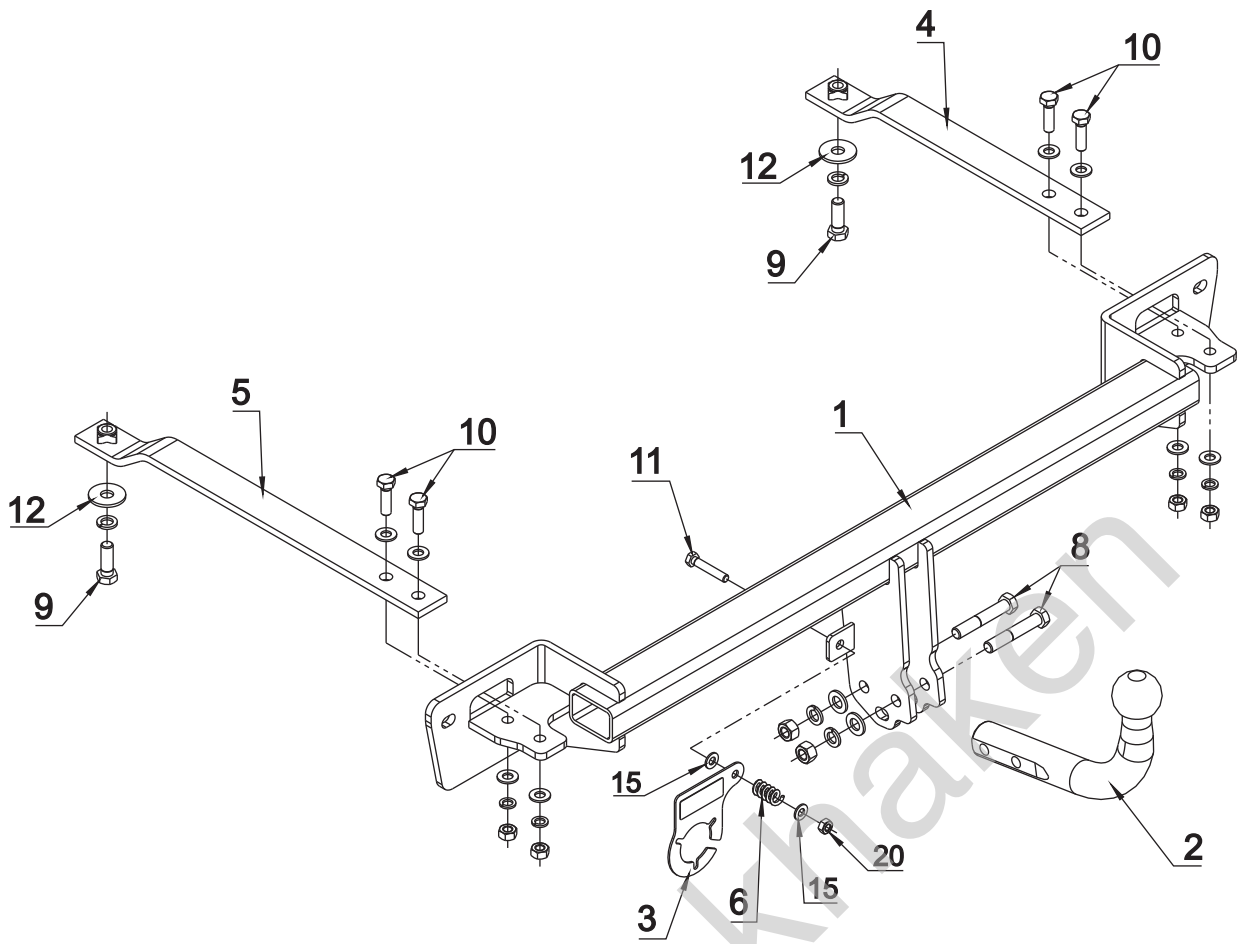
M8 - 25 Nm
M12 - 87 Nm
M16 - 210 Nm

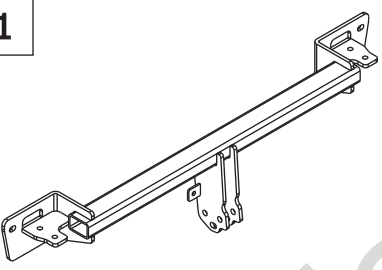


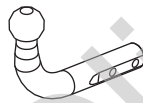

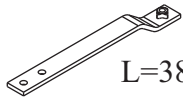

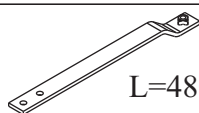
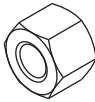
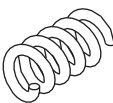



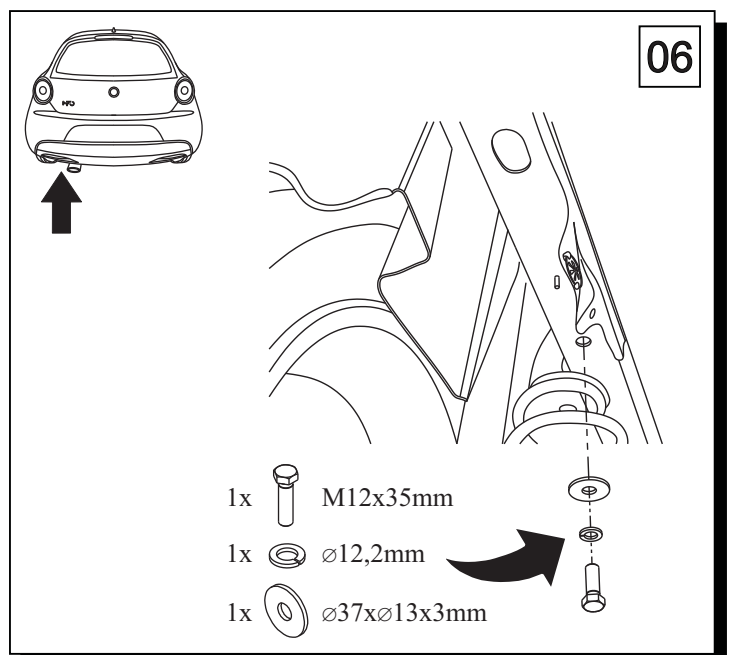
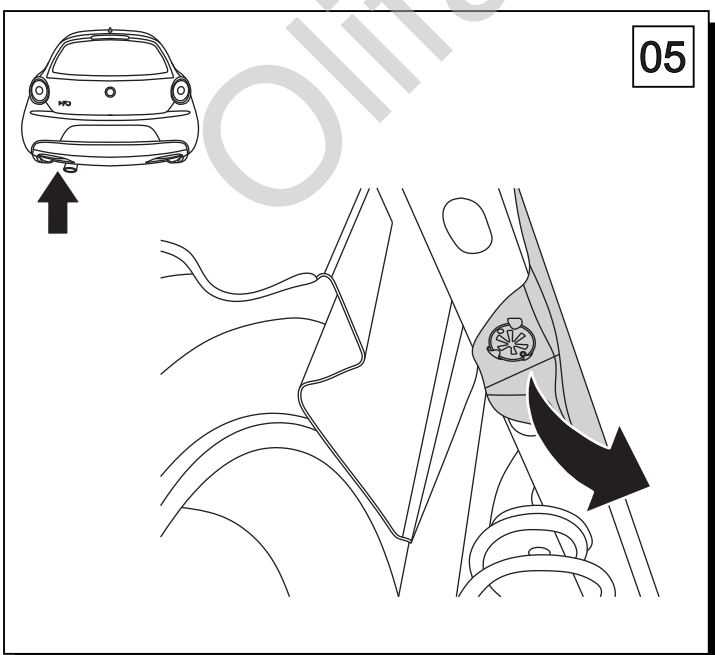
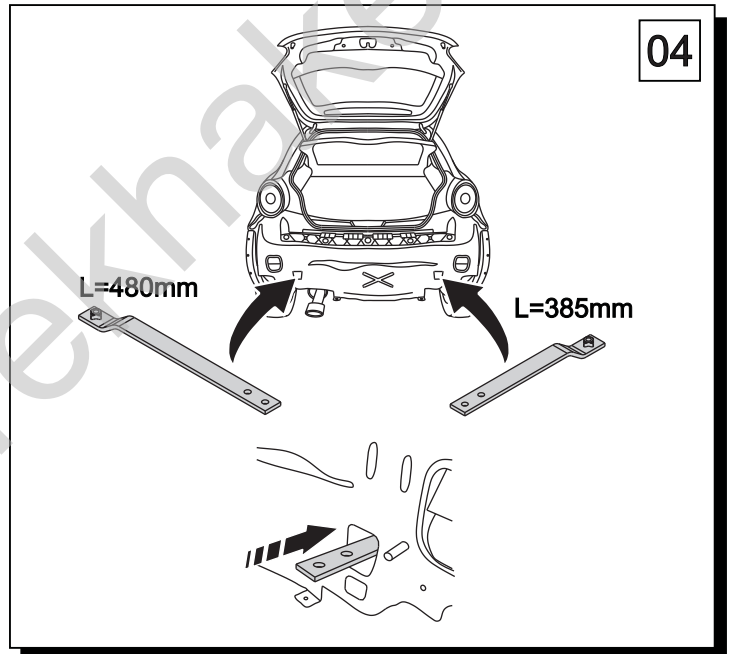
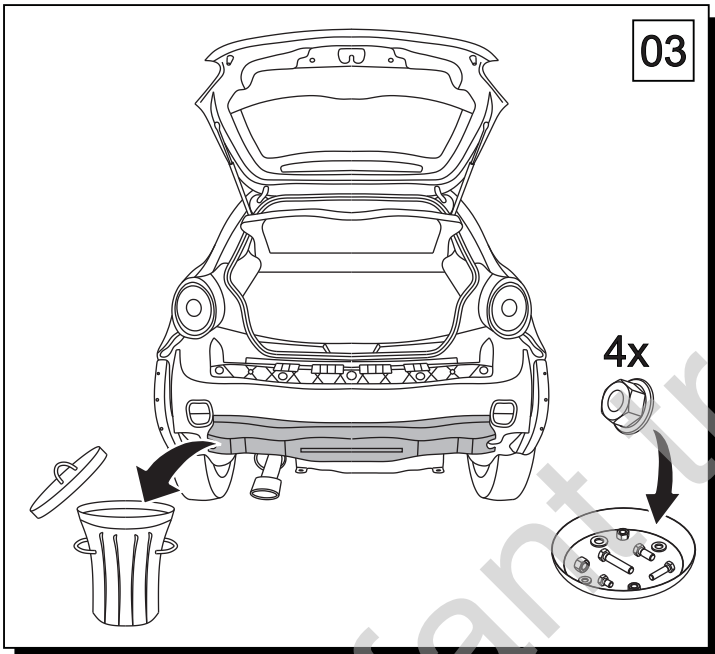
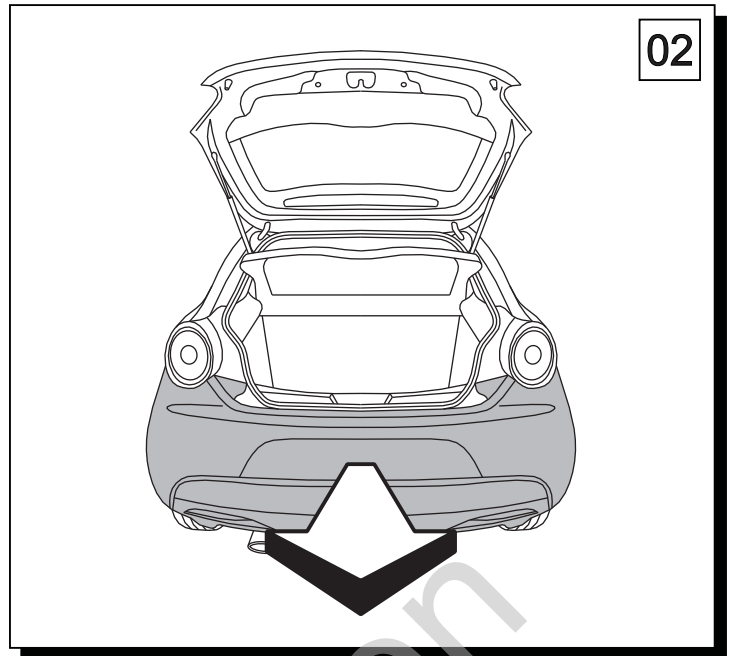
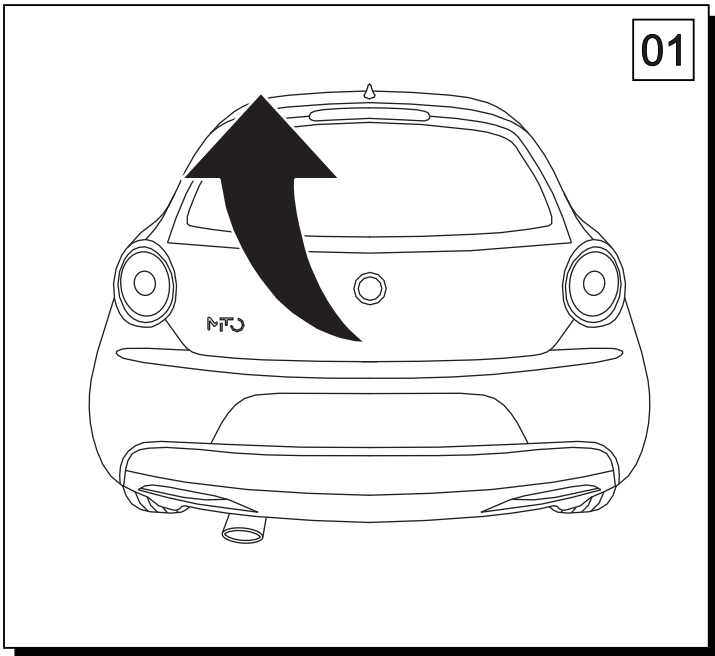
0 km →

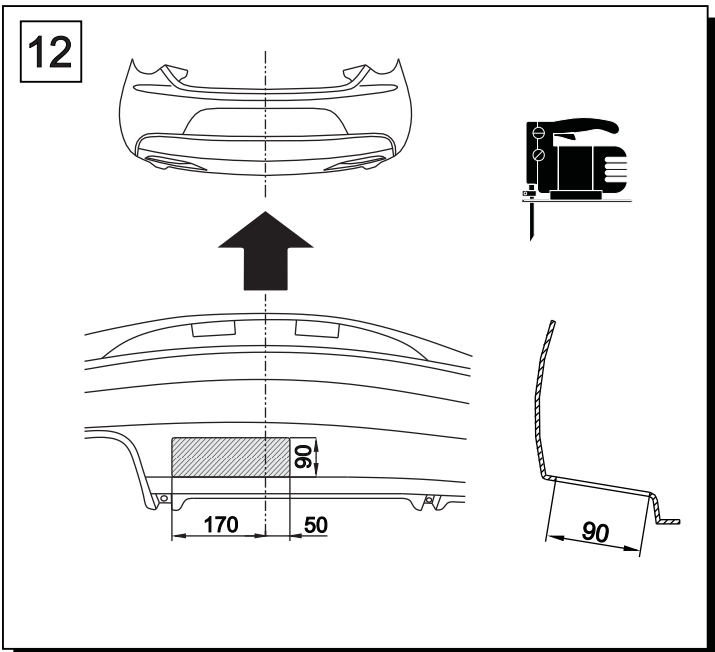
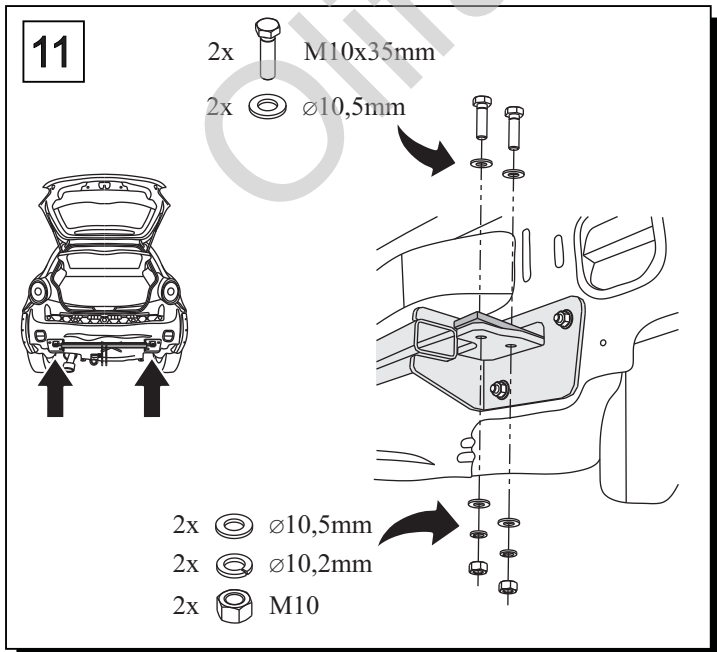
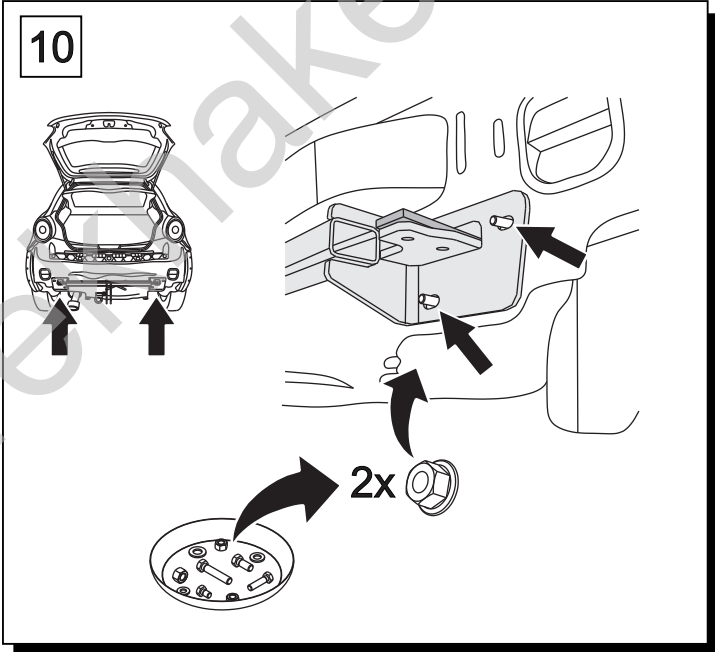
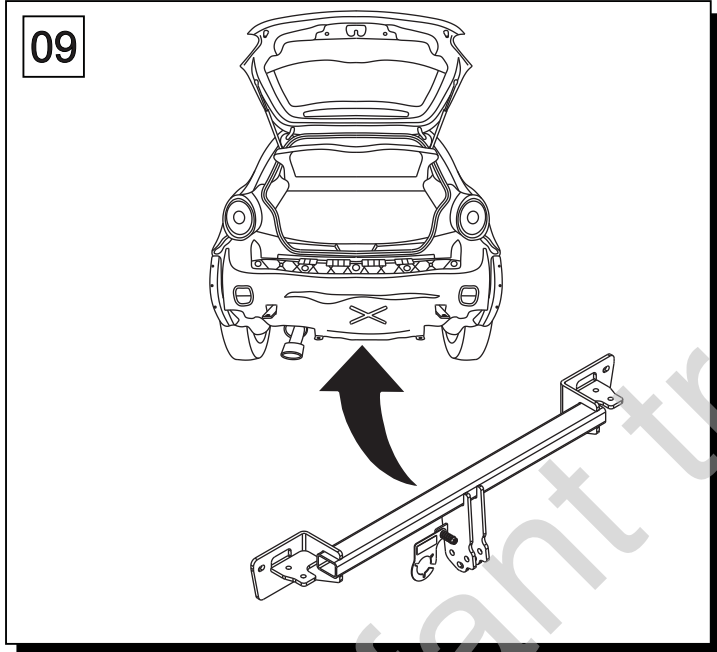
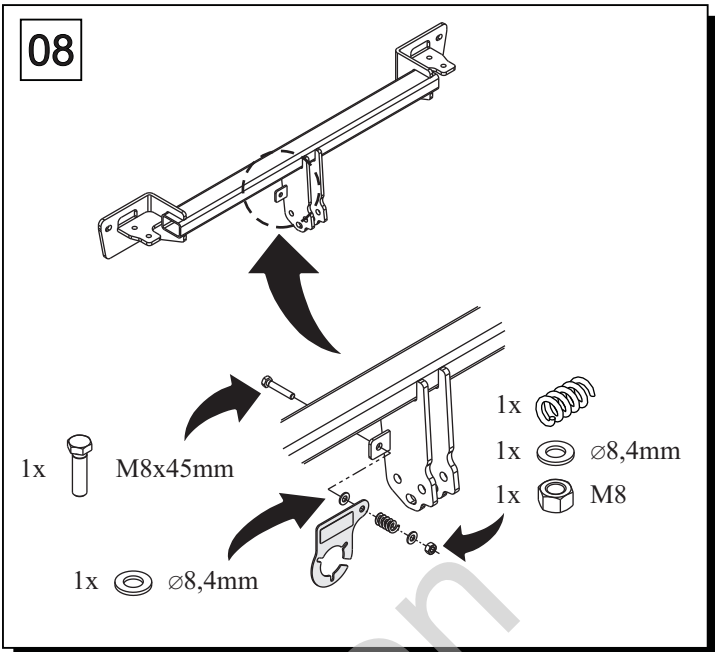
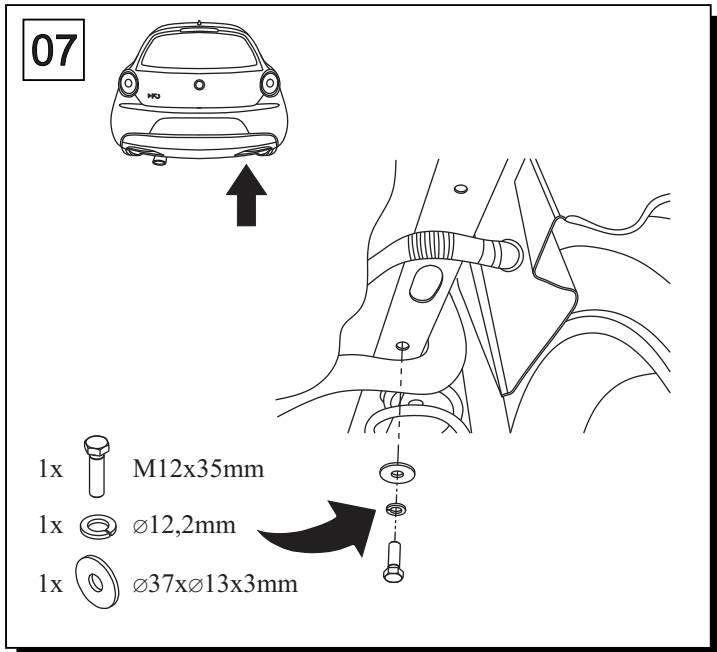


1000 km

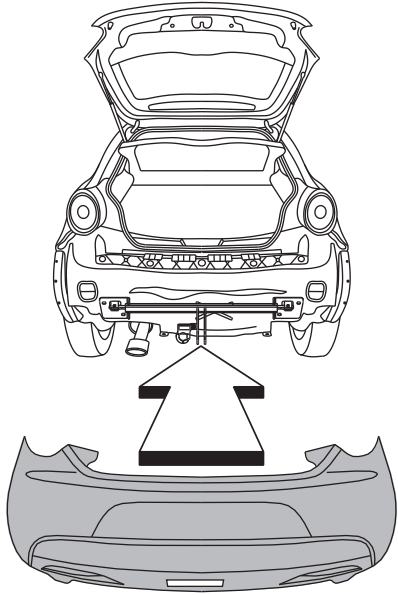


1		x 1		8	M12x70	x 2
				9	M12x35	x 2
				10	M10x35	x 4
				11	M8x45	x 1
				12	∅ 37x∅13x3 13 (DIN 9021)	x 2
2		x 1		13	∅ 13	x 2
	Art.nr-KL1AL40			14	∅ 10.5	x 8
3		x 1		15	∅ 8.4	x 2
	Art.nr-BL1AL40			16	∅ 12.2	x 4
4		x 1		17	∅ 10.2	x 4
	L=385mm			18	M12	x 2
5		x 1		19	M10	x 4
	L=480mm			20	M8	x 1
6		x 1				
7		x 1				

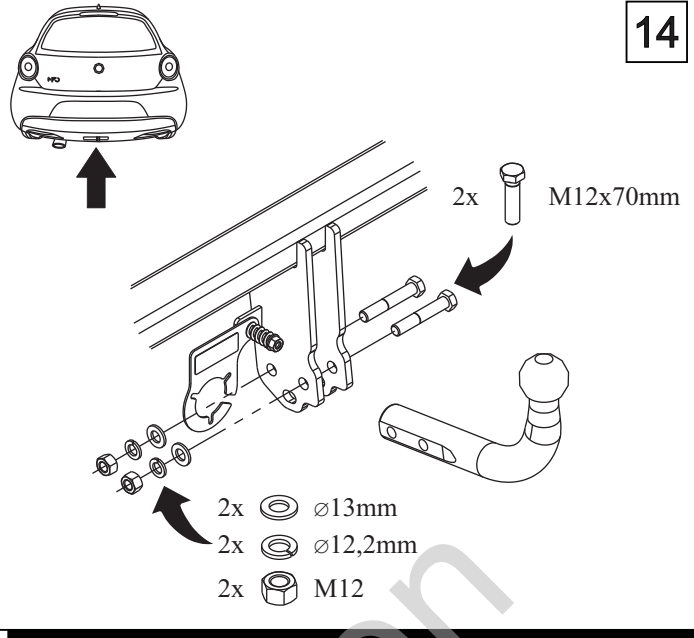




13



14



Olifant trekhaken