

# AUTO-HAK Sp. z o.o.

ul. Słoneczna 16K 76-200 SŁUPSK  
POLAND

tel/fax +48 59 8 414 414; +48 59 8 414 413

e-mail: [office@autohak.com.pl](mailto:office@autohak.com.pl)

[www.autohak.com.pl](http://www.autohak.com.pl)



# AUTO-HAK



ALFA ROMEO  
GIULIETTA 5D

Cat. no:

**AL39A**



04.2010 →

e20

e20\*94/20\*1609\*00

D

8,3 kN



2h



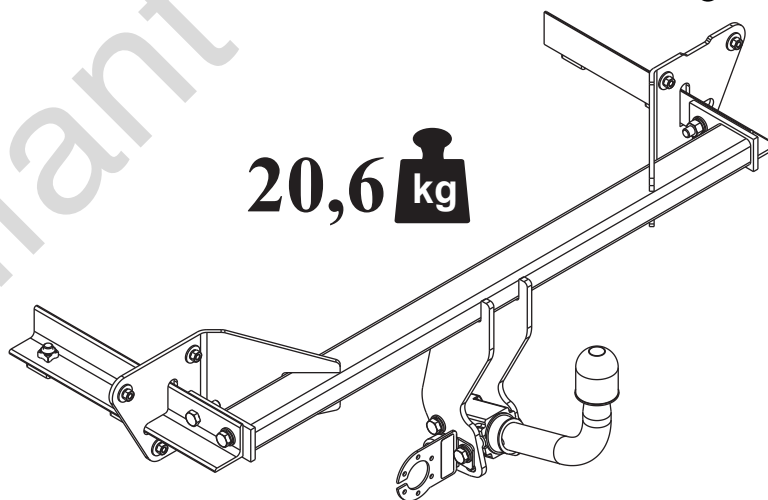
R=1500 kg



S=90 kg



20,6 kg



M6 - 11 Nm  
M10 - 50 Nm  
M14 - 138 Nm

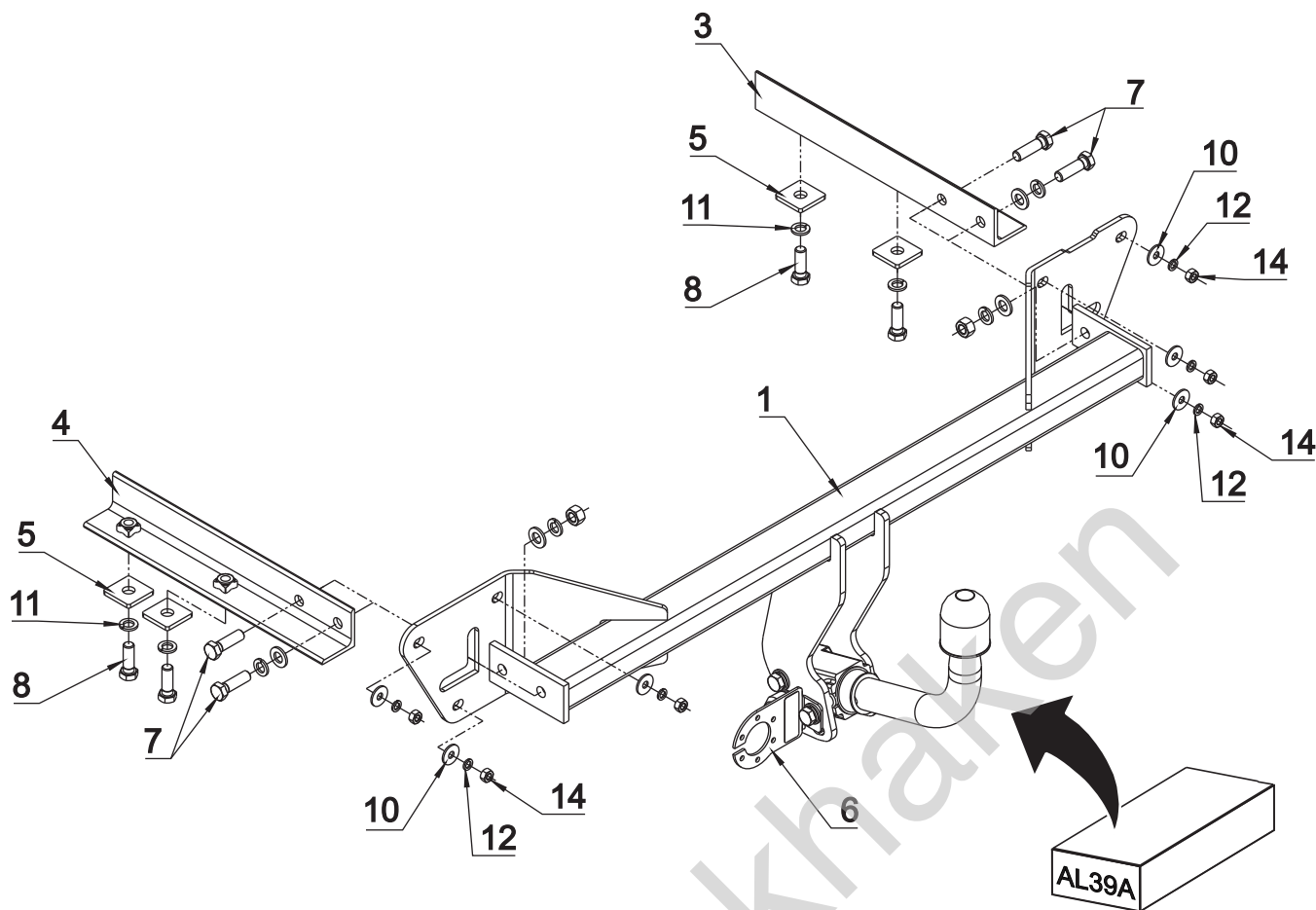
M8 - 25 Nm  
M12 - 87 Nm  
M16 - 210 Nm

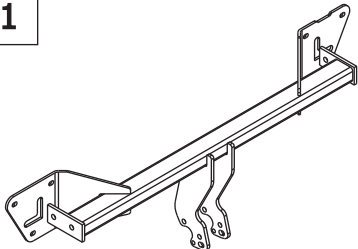

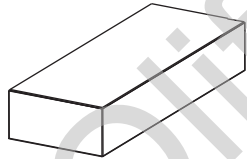

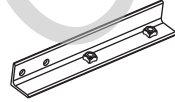
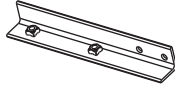
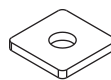
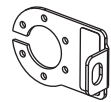


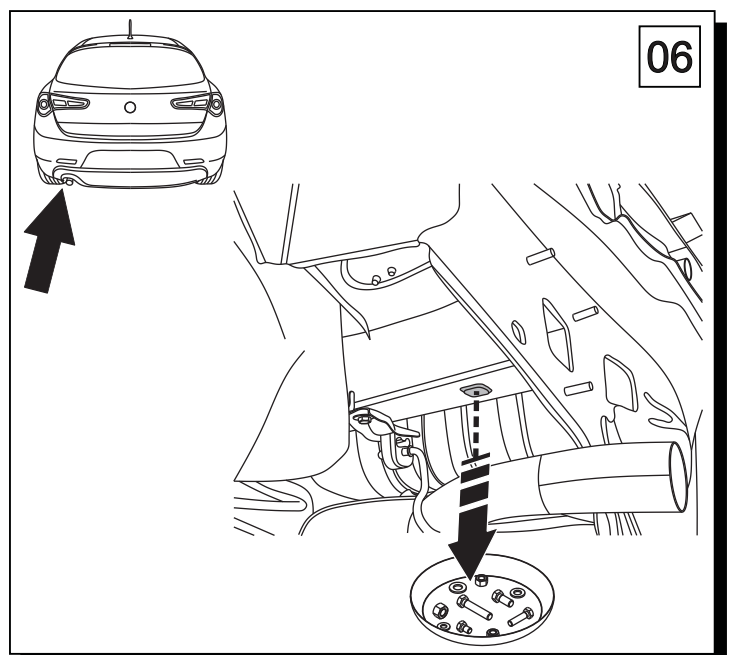
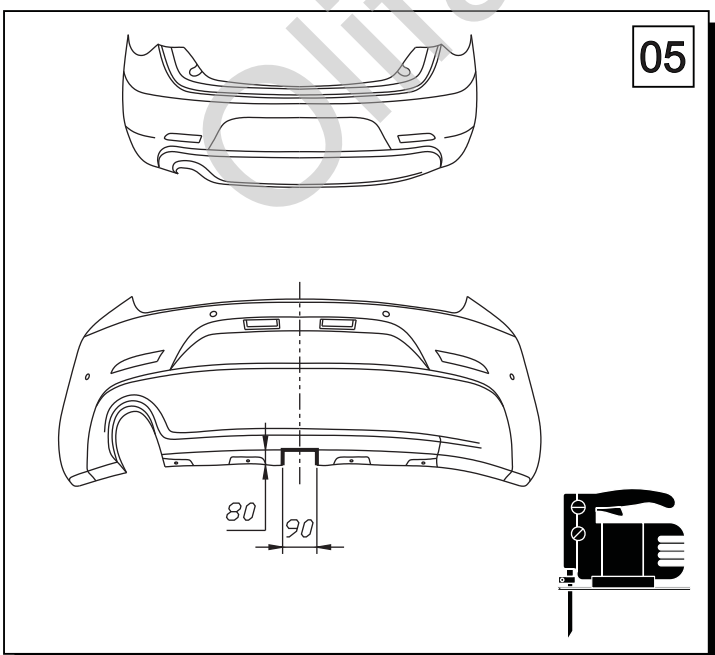
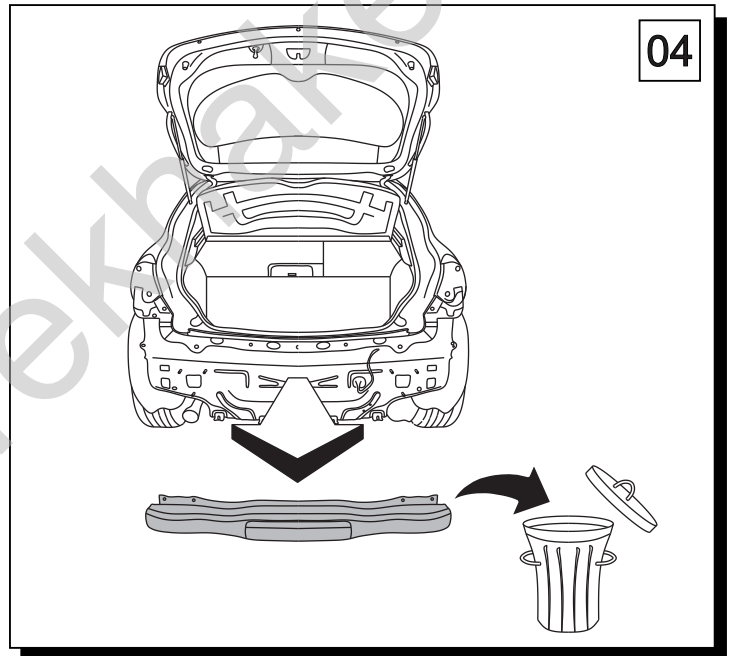
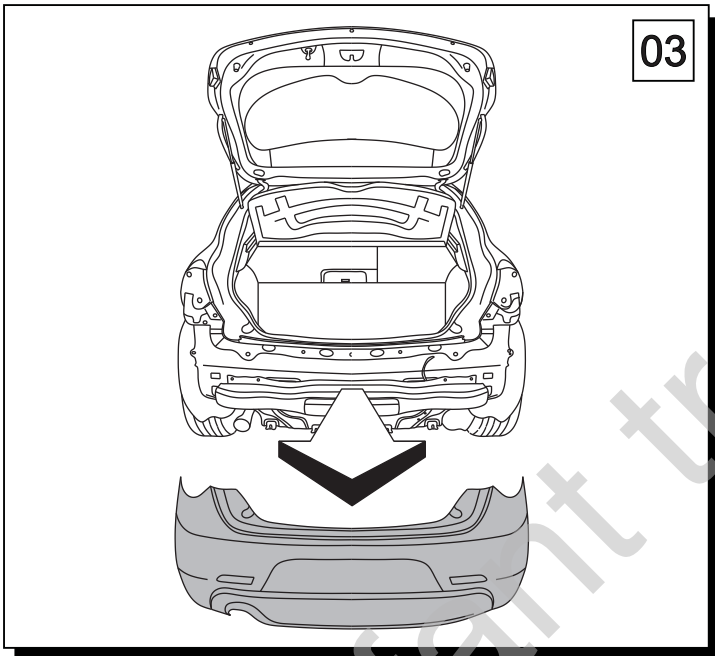
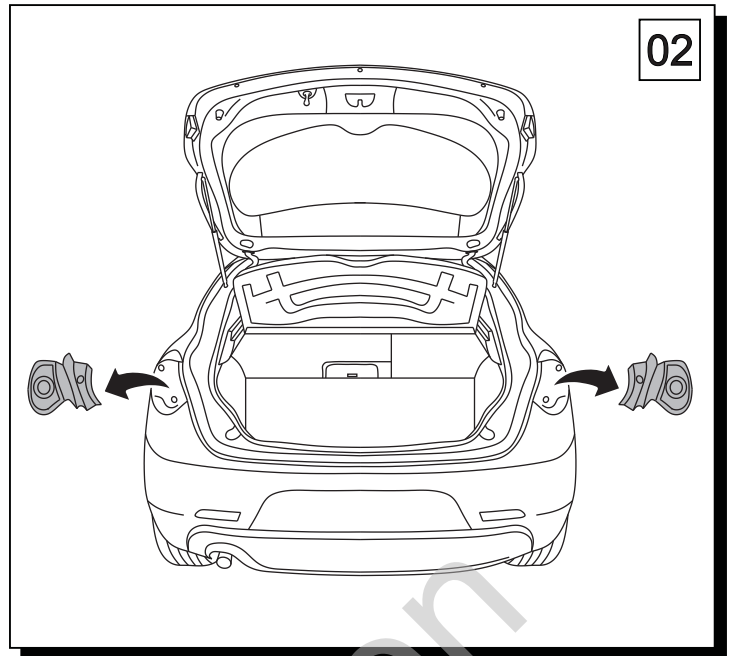
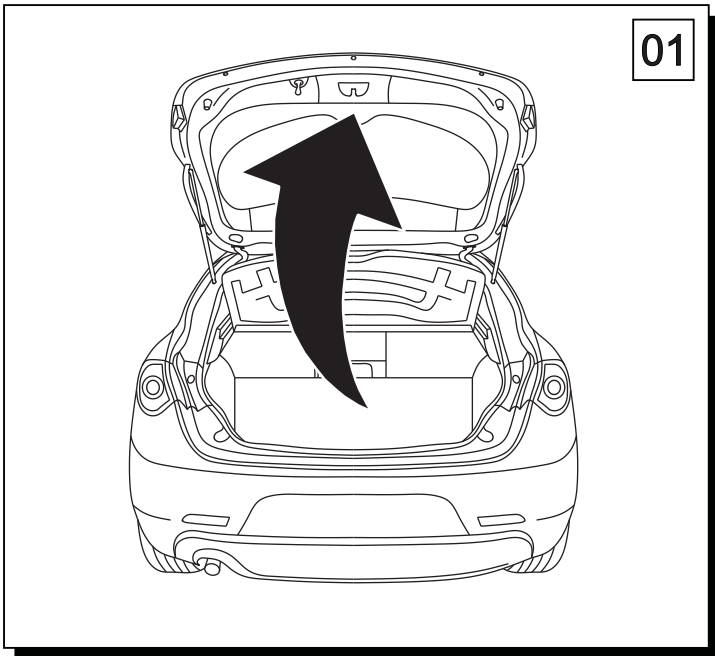
0 km →

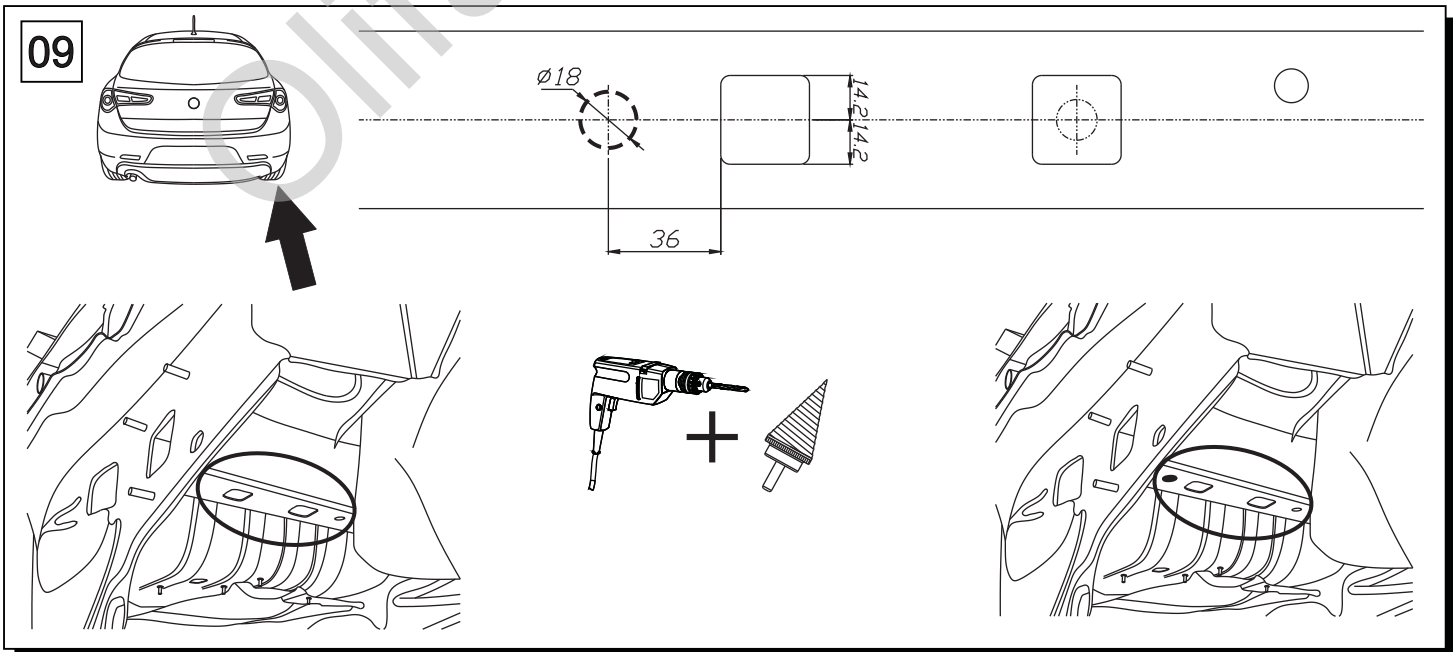
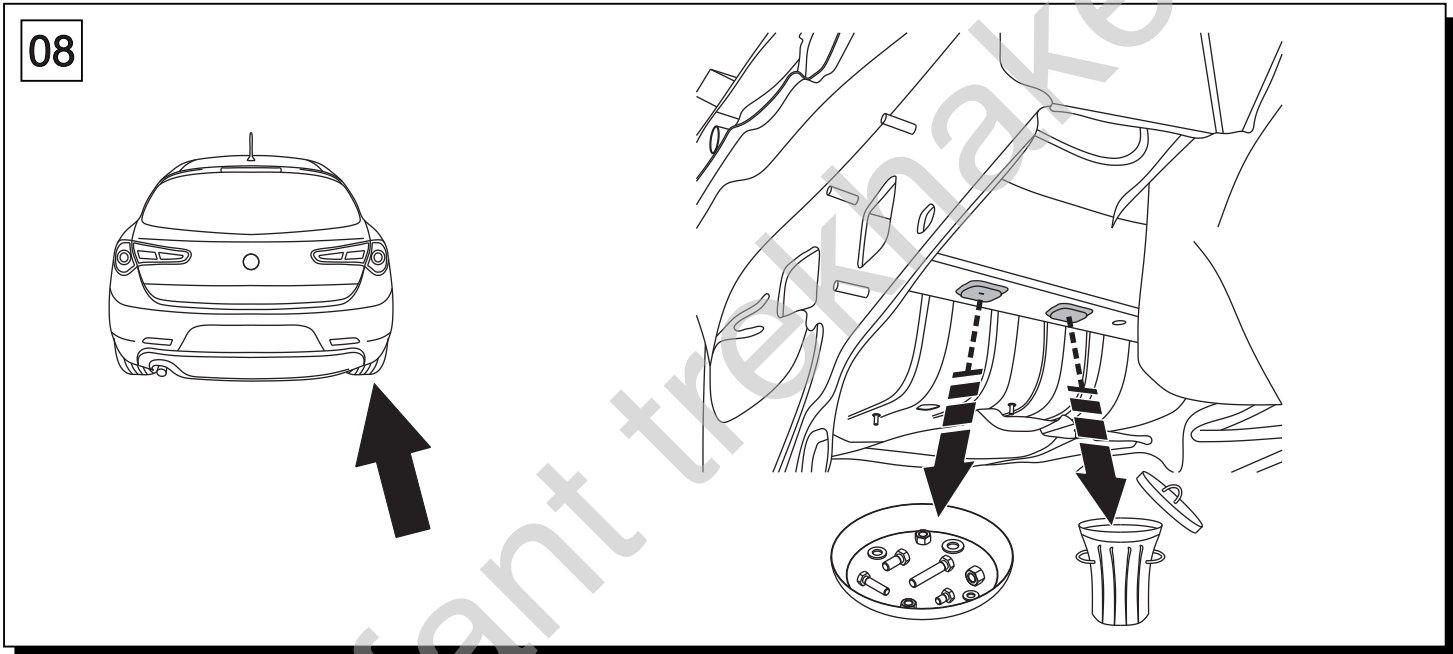
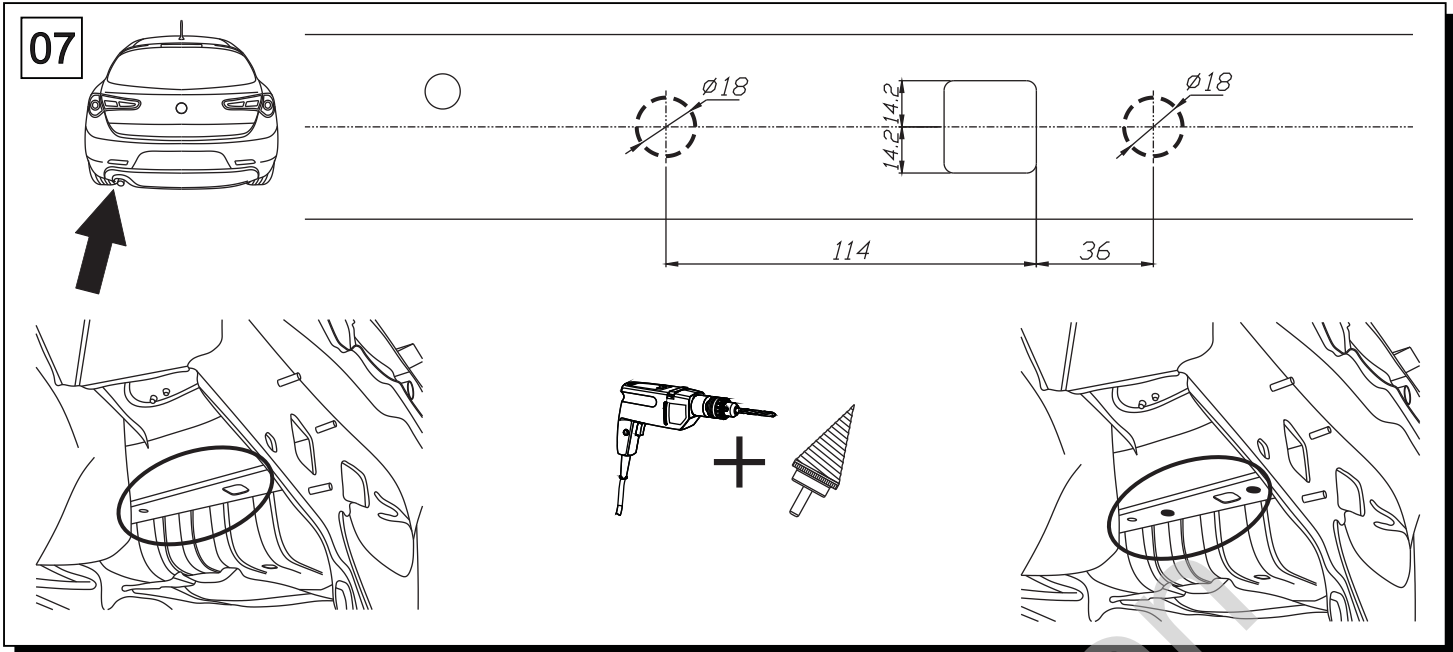


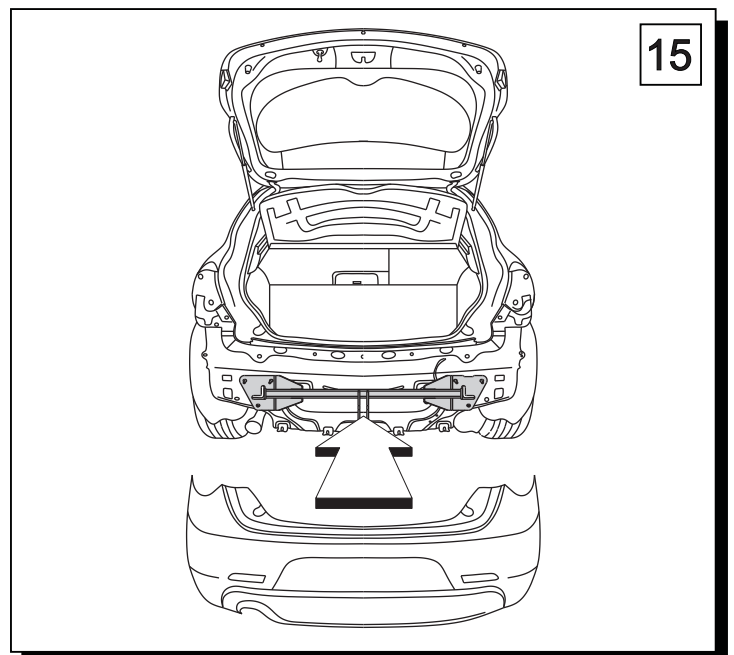
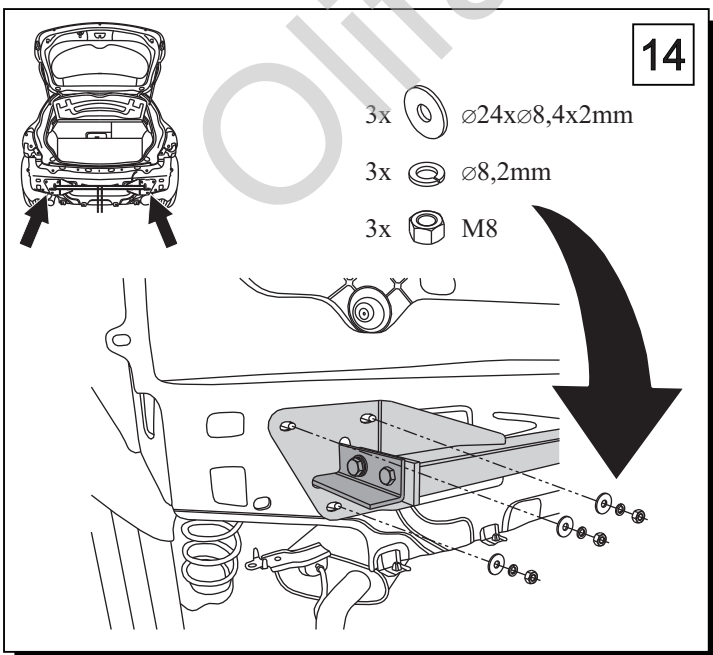
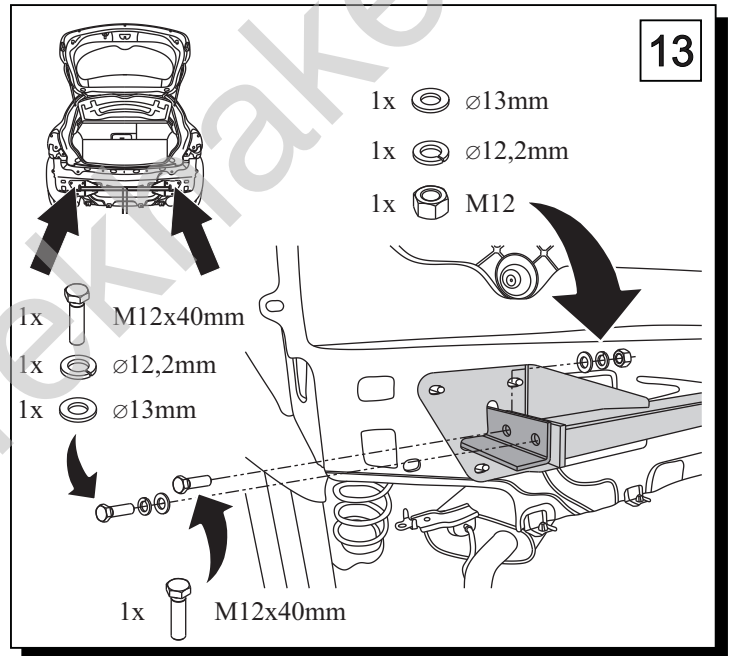
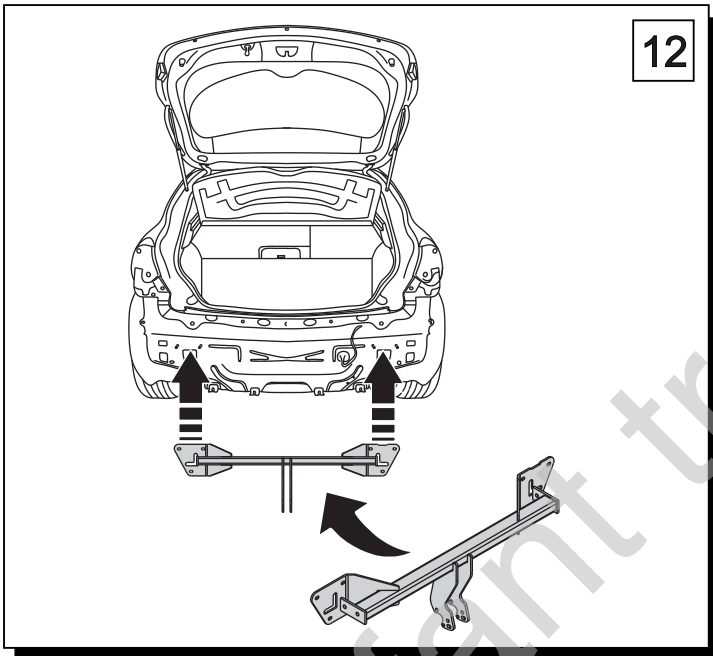
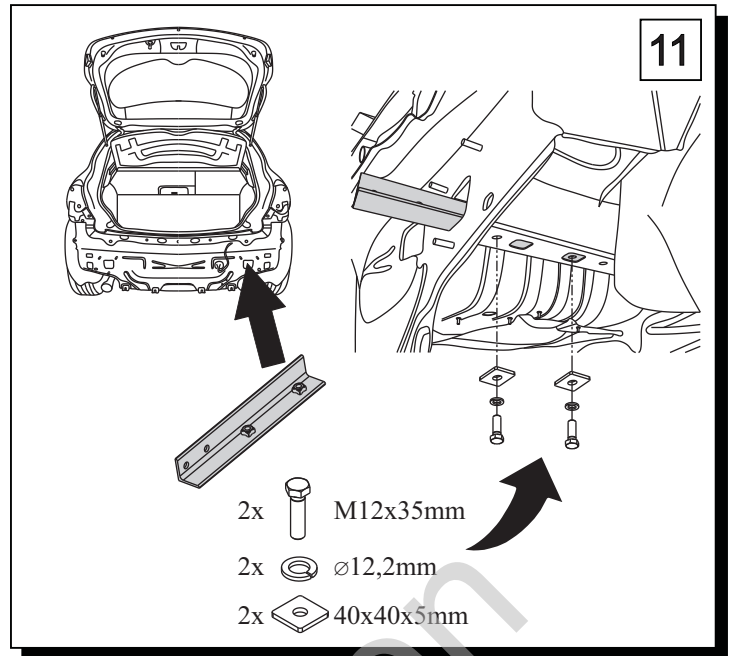
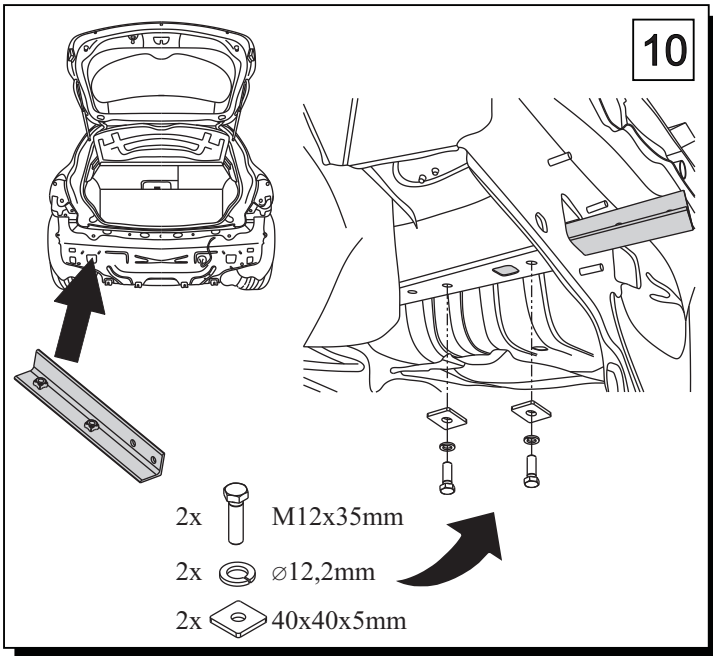
1000 km



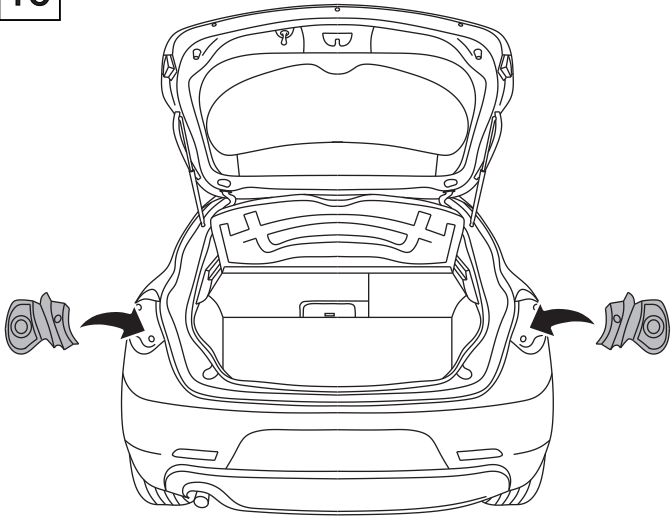
|  |                 |   |    |                           |   |
|--|-----------------|---|----|---------------------------|---|
|                     | x 1             |  | 7  | M12x40                    | 4 |
|  |                 |   | 8  | M12x35                    | 4 |
|  |                 |   | 9  | ∅ 13                      | 4 |
|  |                 |   | 10 | ∅ 24x∅8.4x2<br>8 DIN 9021 | 6 |
| <br>Art.nr-KL1AL39A | x 1             |  | 11 | ∅ 12.2                    | 8 |
|  |                 |   | 12 | ∅ 8.2                     | 6 |
|  |                 |   | 13 | M12                       | 2 |
|  |                 |   | 14 | M8                        | 6 |
|                     | x 1             |   |    |                           |   |
|                     | x 1             |   |    |                           |   |
|                     | x 4             |   |    |                           |   |
|  | 40x40x5mm       |   |    |                           |   |
|                     | x 1             |   |    |                           |   |
|  | Art.nr-BL1AL39A |   |    |                           |   |







16



17

