

# AUTO-HAK Sp. z o.o.

ul. Słoneczna 16K 76-200 SŁUPSK  
POLAND

tel/fax +48 59 8 414 414; +48 59 8 414 413

e-mail: [office@autohak.com.pl](mailto:office@autohak.com.pl)

[www.autohak.com.pl](http://www.autohak.com.pl)




# AUTO-HAK

## AUDI A3 SPORTBACK


 11.2019 →

## AUDI A3 SEDAN

 04.2020 →

 E20\*55R02\*6663

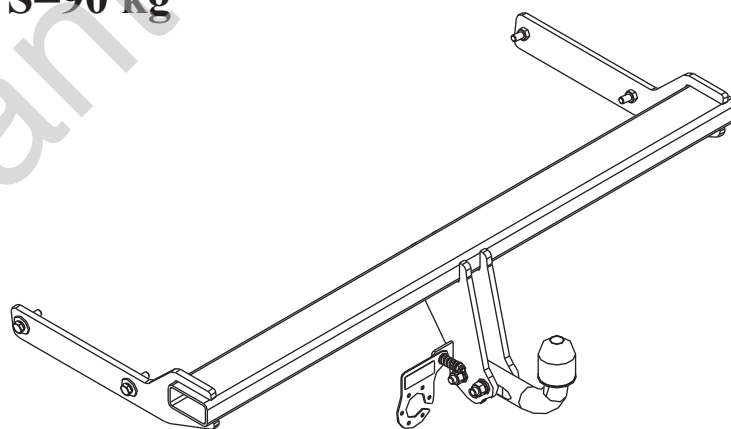
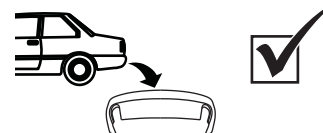
**D** 10,0 kN

 R=1800 kg


 S=90 kg

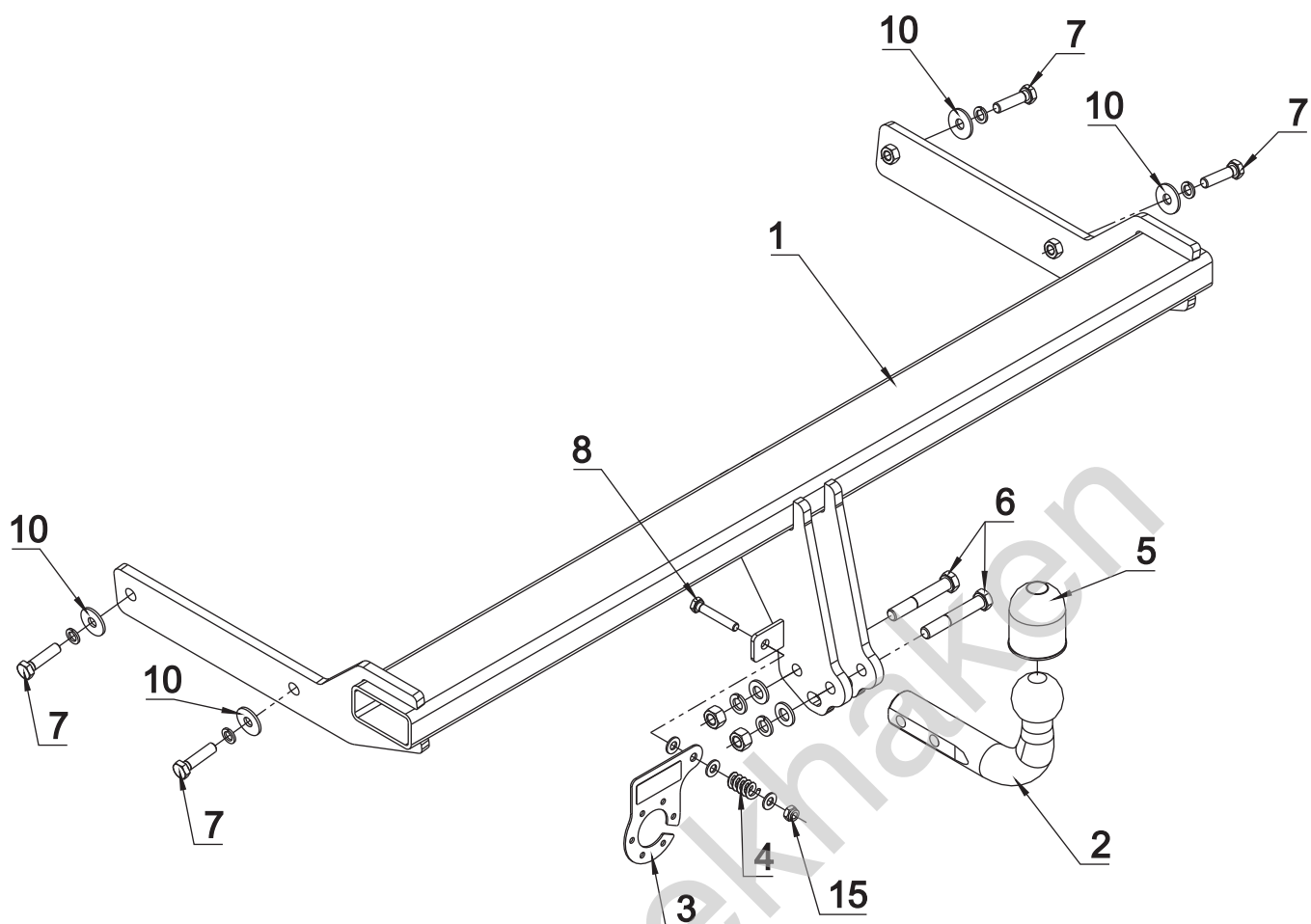
Nr kat.

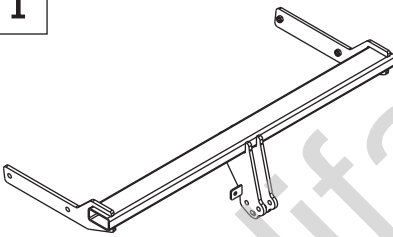





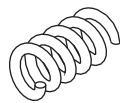
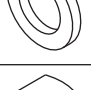


**A40**



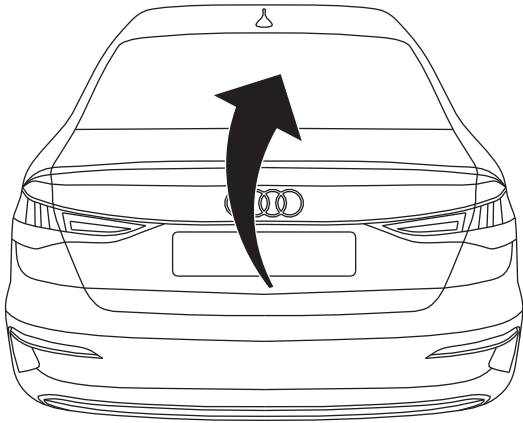
śruba Nm	M6	M8	M10	M12	M14	M16
klasa 8.8	9,9	24	48	83	132	200
klasa 10.9	14	34	67	117	185	285

 0 km →  1000 km

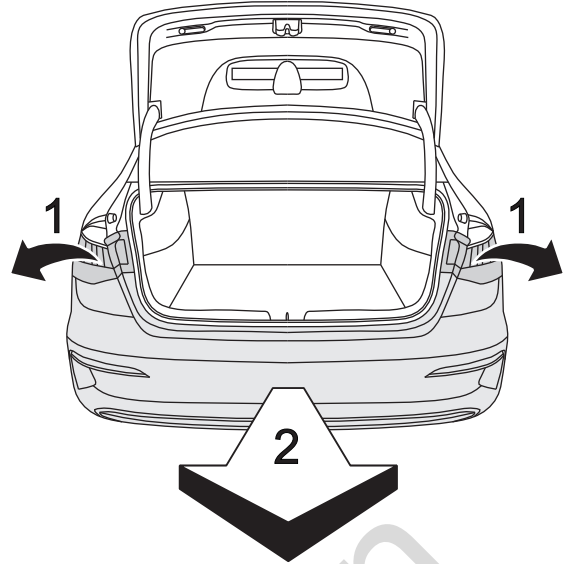


<b>1</b> 	<b>x1</b>		<b>6</b> M12x75	<b>x2</b>
			<b>7</b> M10x40	<b>x4</b>
			<b>8</b> M8x50	<b>x1</b>
			<b>9</b> $\varnothing$ 13	<b>x2</b>
<b>2</b> 	<b>x1</b> Art.nr-KL1A40		<b>10</b> $\varnothing$ 30x $\varnothing$ 10.5x2.5	<b>4</b>
			10 DIN 9021	
<b>3</b> 	<b>x1</b> Art.nr-BL1A40		<b>11</b> $\varnothing$ 8.4	<b>x3</b>
			<b>12</b> $\varnothing$ 12.2	<b>x2</b>
<b>4</b> 	<b>x1</b>		<b>13</b> $\varnothing$ 10.2	<b>x4</b>
			<b>14</b> M12	<b>x2</b>
<b>5</b> 	<b>x1</b>		<b>15</b> M8 (DIN985)	<b>x1</b>

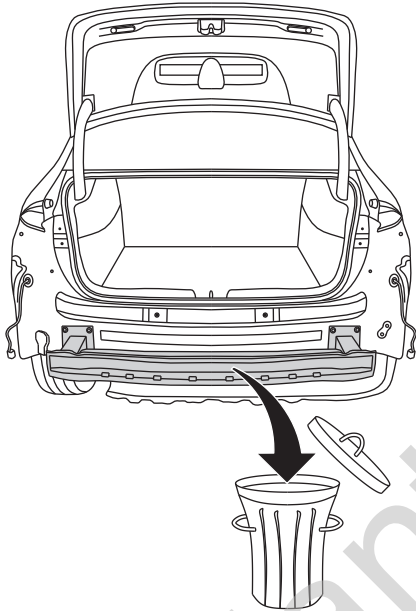
01



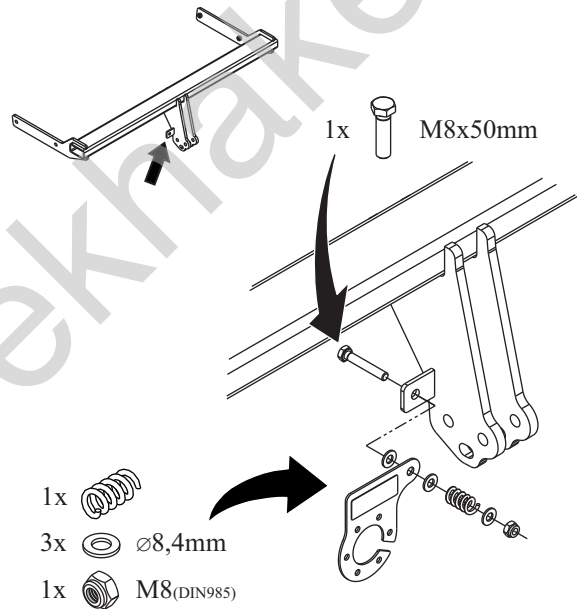
02



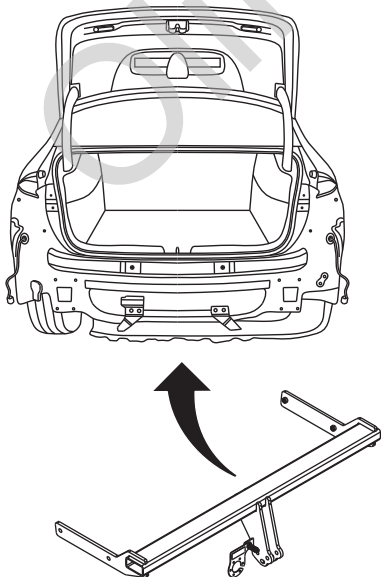
03



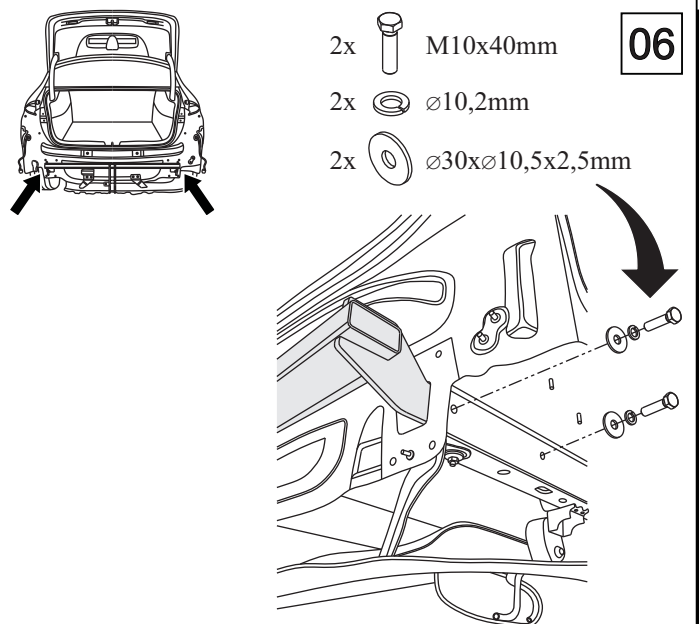
04



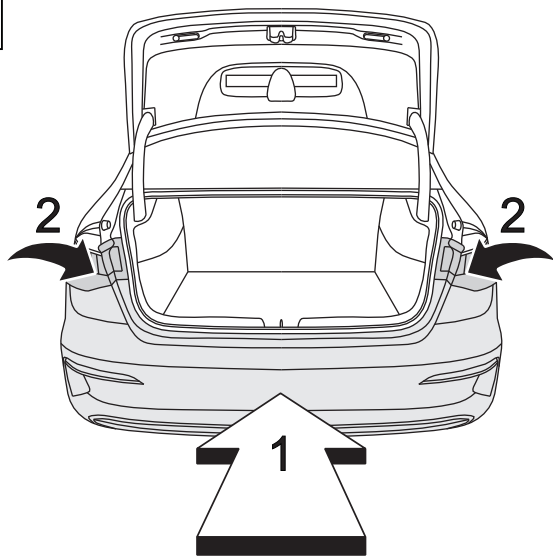
05



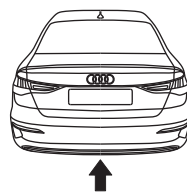
06



07



08

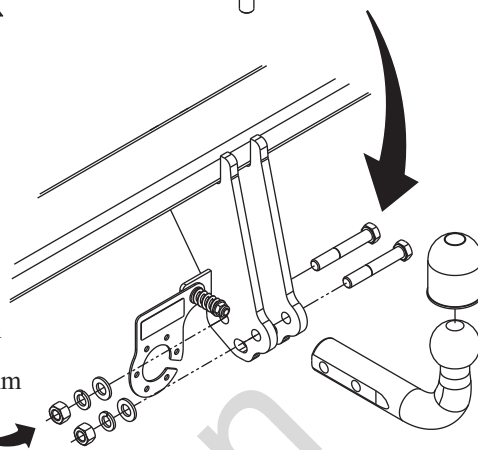


2x M12x75mm

2x   $\varnothing 13\text{mm}$

2x   $\varnothing 12,2\text{mm}$

2x  M12



Olifant trekhaken