

AUTO-HAK Sp. z o.o.

ul. Słoneczna 16K 76-200 SŁUPSK
POLAND

tel/fax +48 59 8 414 414; +48 59 8 414 413

e-mail: office@autohak.com.pl

www.autohak.com.pl



AUTO-HAK

AUDI A6 4drz. (4A2, C8)
Quattro, S-line ~~RS6~~


Nr kat.



A39A

AUDI A6 kombi (4A5, C8)
Quattro, S-line ~~RS6~~ ~~Allroad~~

 06.2018 →


  2h


 E20*55R02*6648

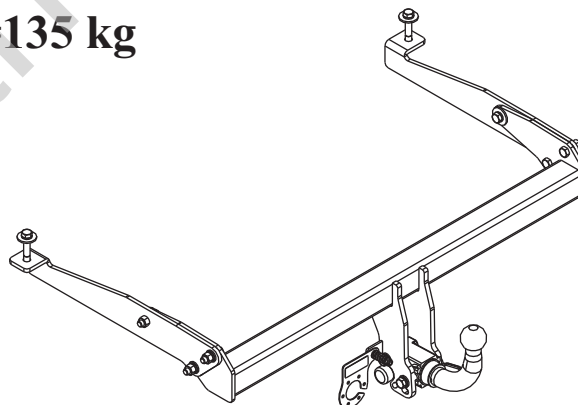
 

D 11,5 kN

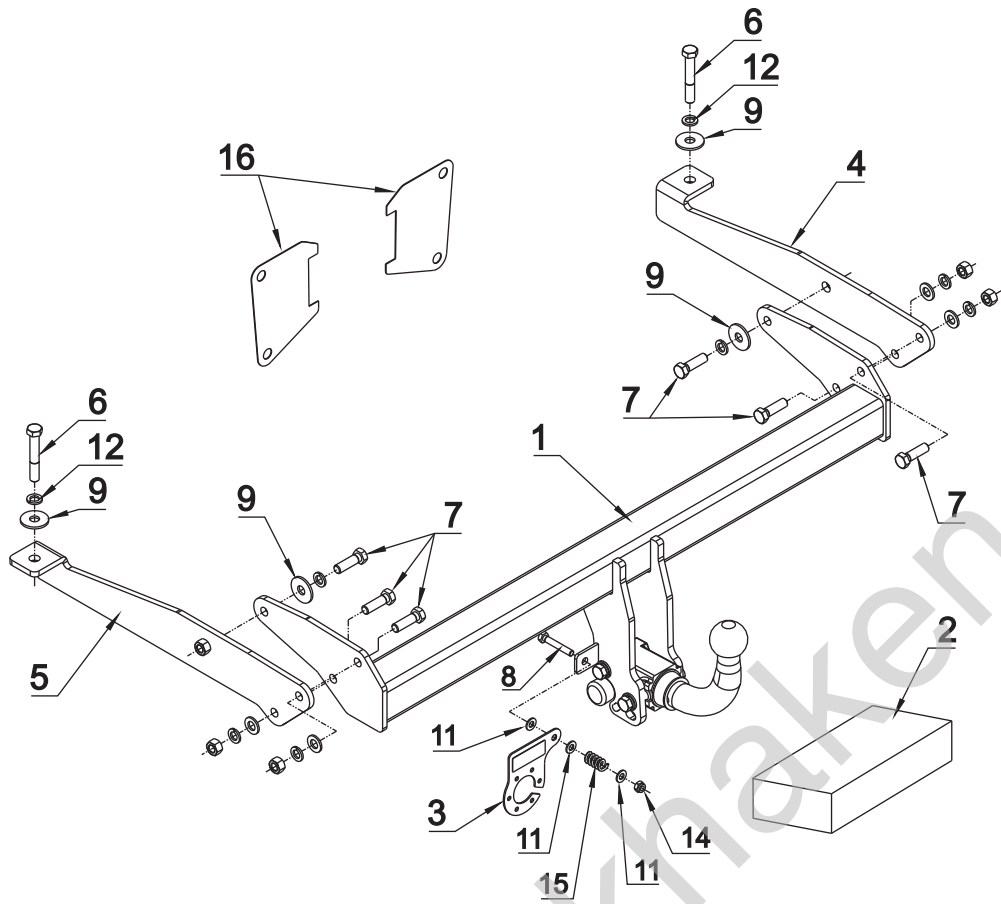
 R=2100 kg

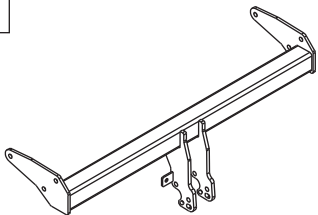

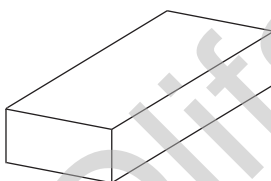

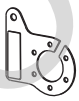
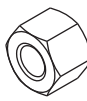
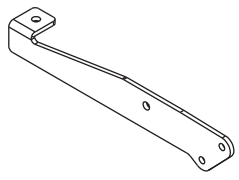

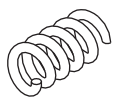
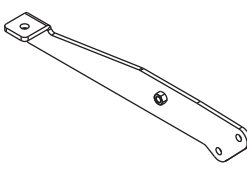

 S=135 kg



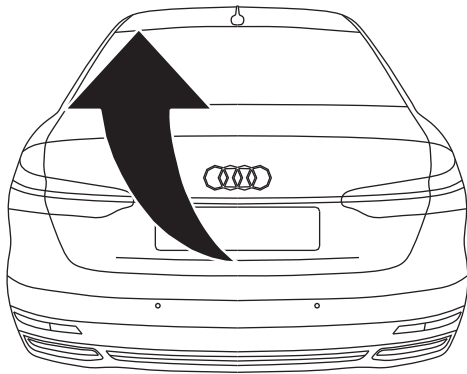
śruba	Nm	M6	M8	M10	M12	M14	M16
klasa 8.8		9,9	24	48	83	132	200
klasa 10.9		14	34	67	117	185	285

 0 km →  1000 km

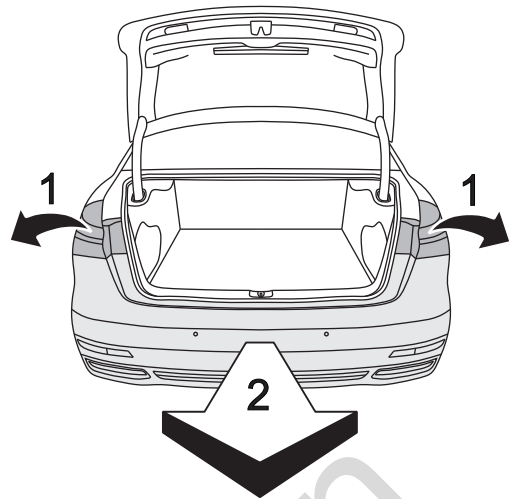


1 	x1		6 M12x75	x2
			7 M12x40	x6
			8 M8x50	x1
			9 \varnothing 37x \varnothing 13x3 13 (DIN 9021)	x4
2 	x1		10 \varnothing 13	x4
			11 \varnothing 8.4	x3
			12 \varnothing 12.2	x8
			Art.nr-KL1A39A	
3 	x1		13 M12	x4
			Art.nr-BL12A39A	
4 	x1		14 M8 (DIN985)	x1
			15	
5 	x1		16	x2

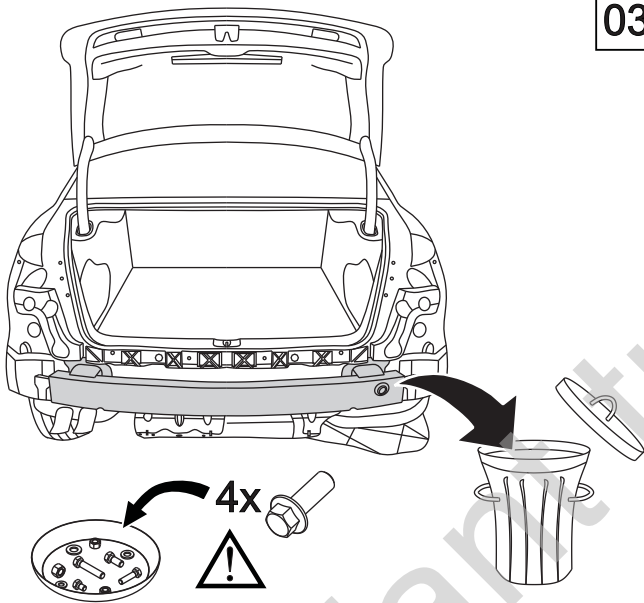
01



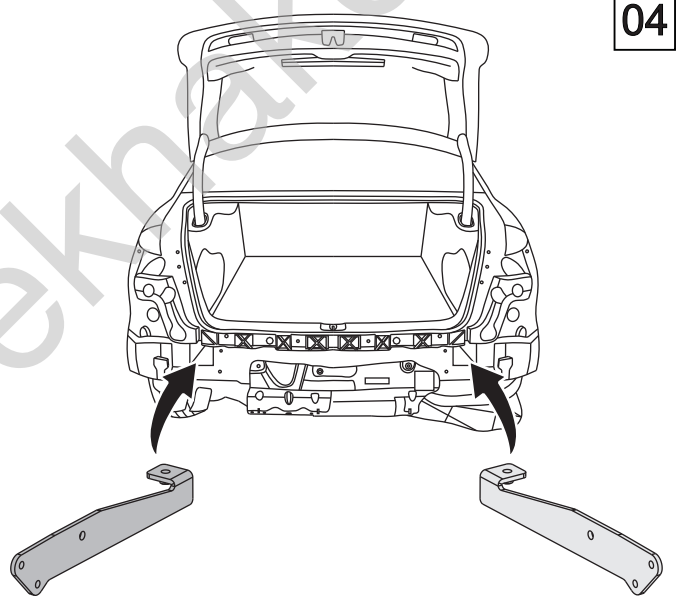
02



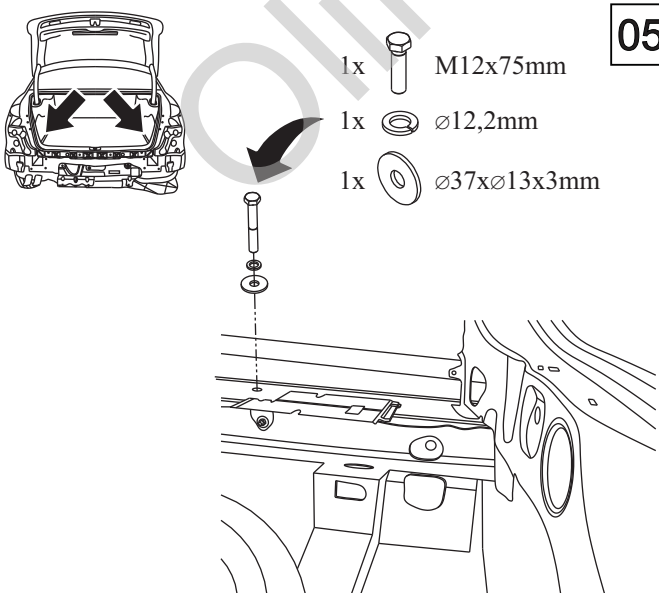
03



04



05



06

