

AUTO-HAK Sp. z o.o.

ul. Słoneczna 16K 76-200 SŁUPSK
POLAND

tel/fax +48 59 8 414 414; +48 59 8 414 413

e-mail: office@autohak.com.pl

www.autohak.com.pl



AUTO-HAK

AUDI A6 4drz. (4A2, C8)
Quattro, S-line ~~RS6~~

Nr kat.

A39

AUDI A6 kombi (4A5, C8)
Quattro, S-line ~~RS6~~ ~~Allroad~~



06.2018 →



2h



E20*55R02*6647



D

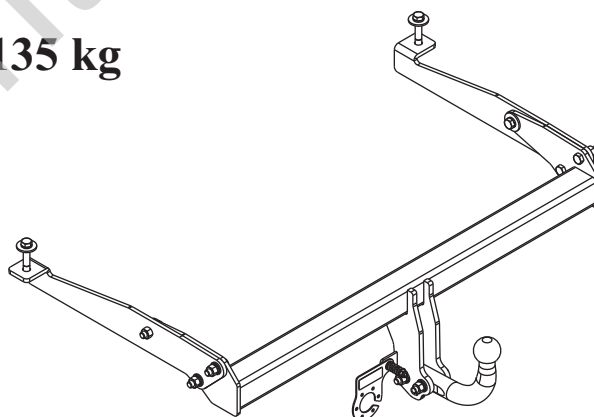
11,5 kN



R=2100 kg



S=135 kg



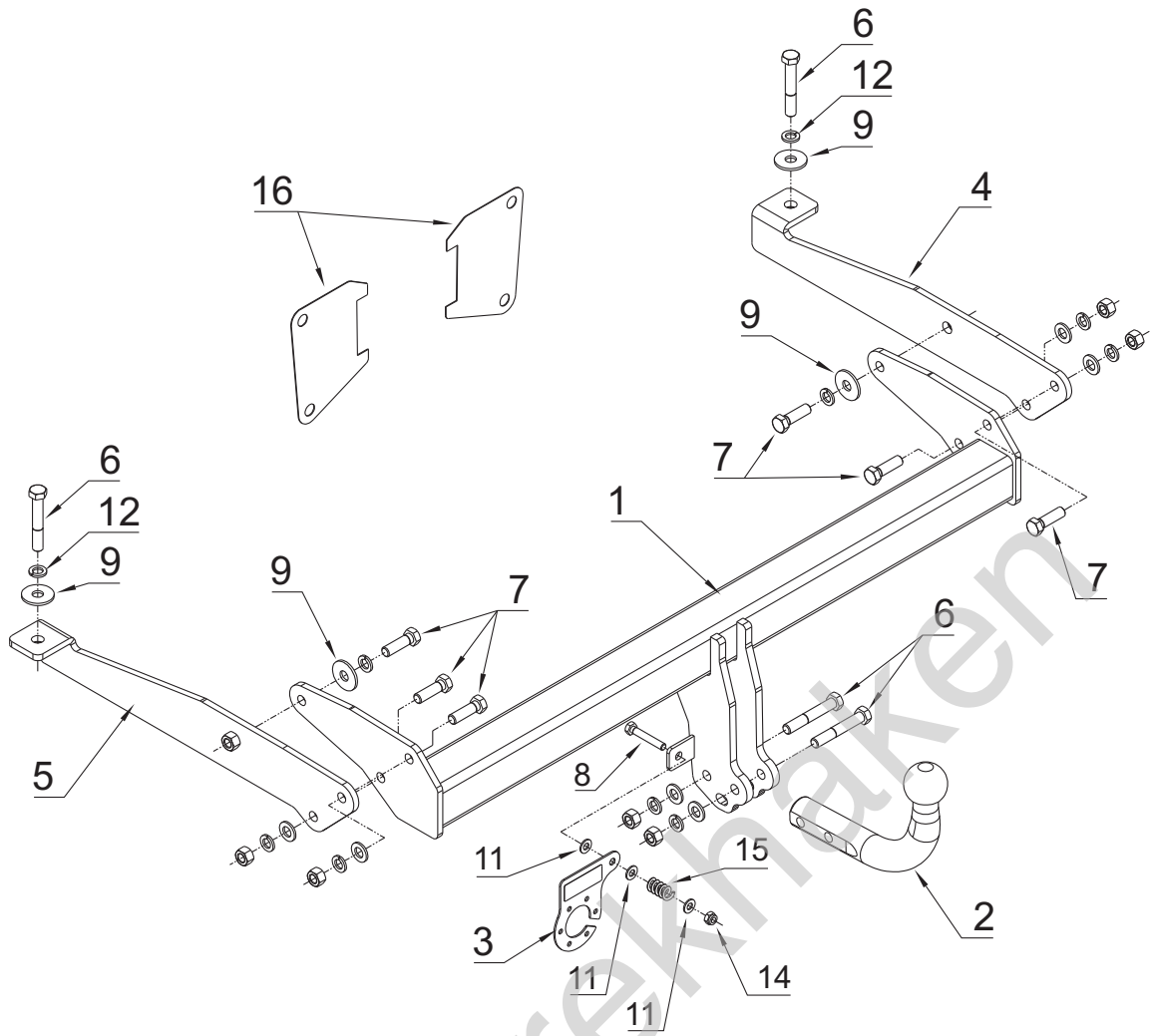
śruba	Nm	M6	M8	M10	M12	M14	M16
klasa 8.8		9,9	24	48	83	132	200
klasa 10.9		14	34	67	117	185	285

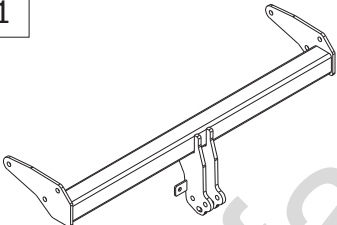





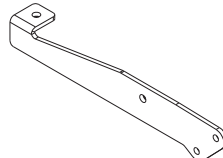


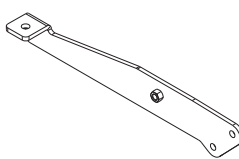
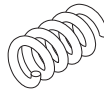



0 km →

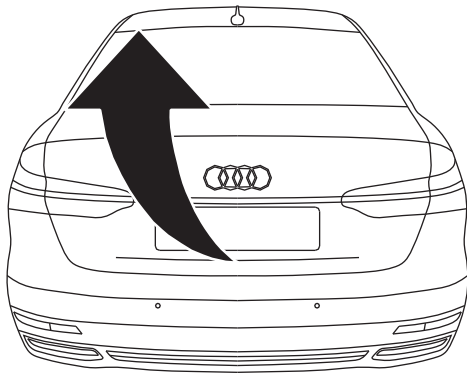


1000 km

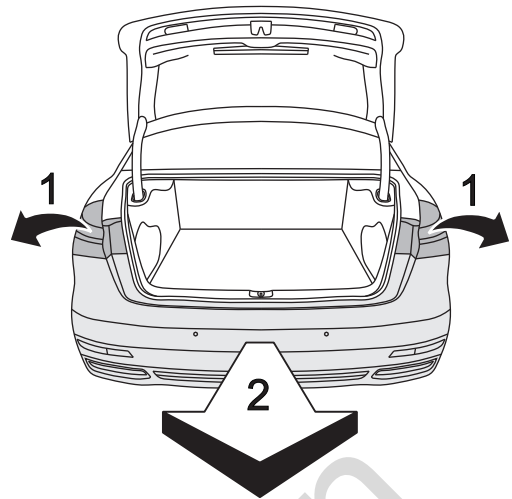


1		x 1		6	M12x75	x 4
				7	M12x40	x 6
				8	M8x50	x 1
				9	∅ 37x∅13x3 13 (DIN 9021)	x 4
2		x 1 Art.nr-KL1A39		10	∅ 13	x 6
				11	∅ 8.4	x 3
3		x 1 Art.nr-BL12A39		12	∅ 12.2	x 10
4		x 1		13	M12	x 6
				14	M 8 (DIN985)	x 1
5		x 1	15			x 1
			16			x 2

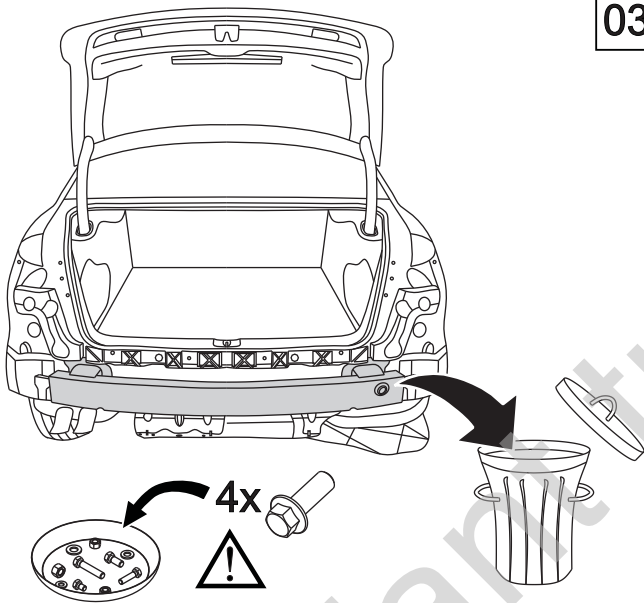
01



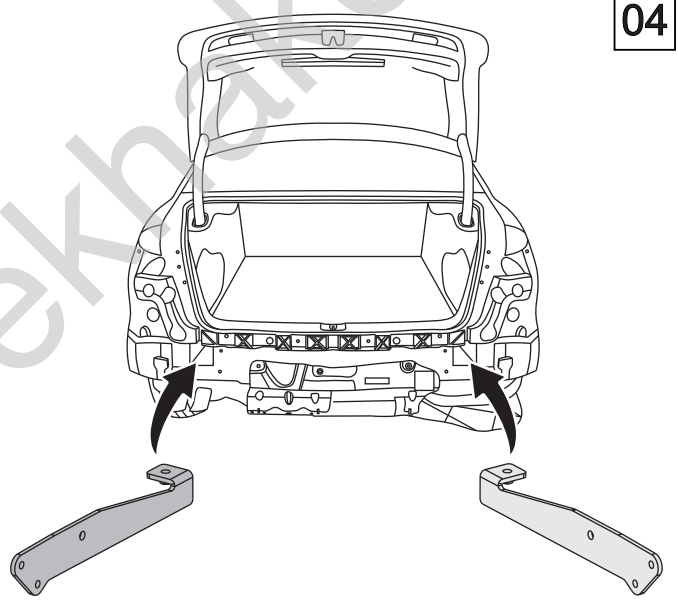
02



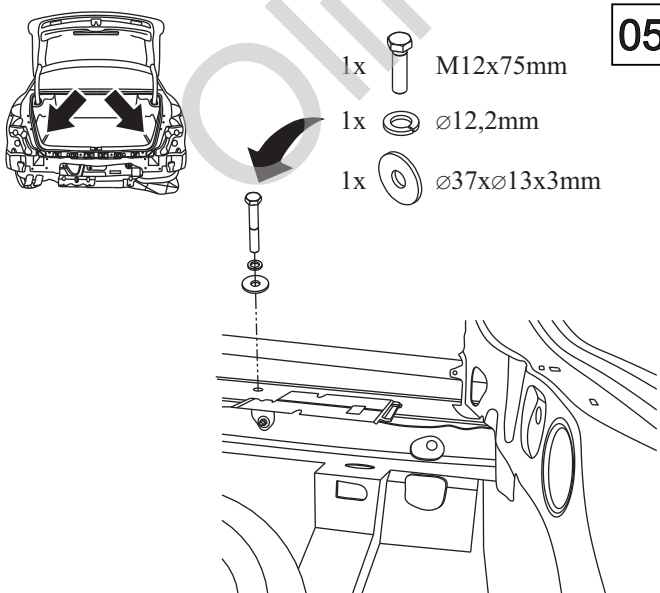
03



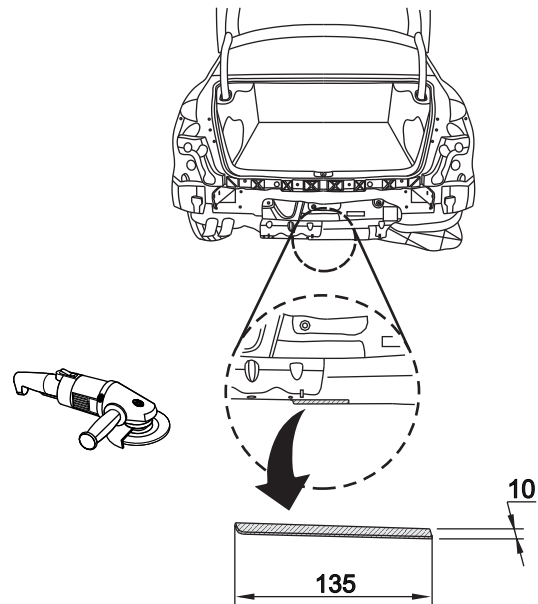
04

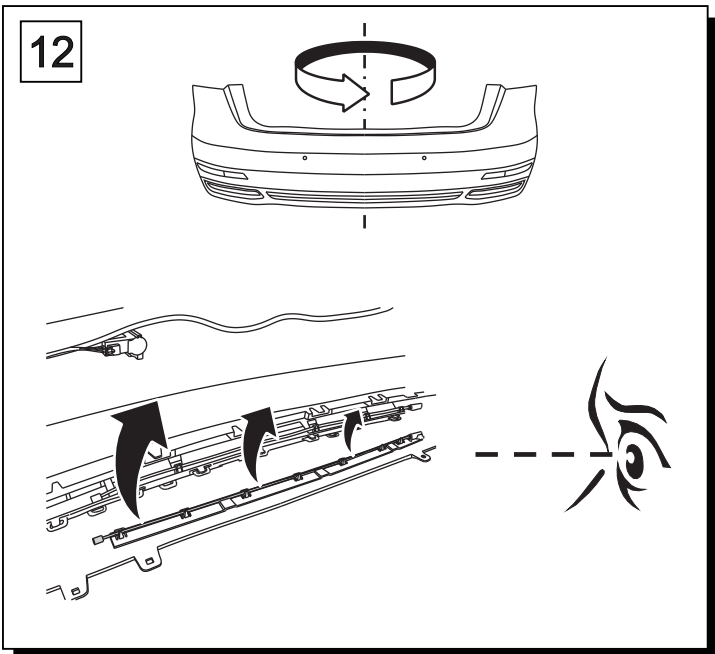
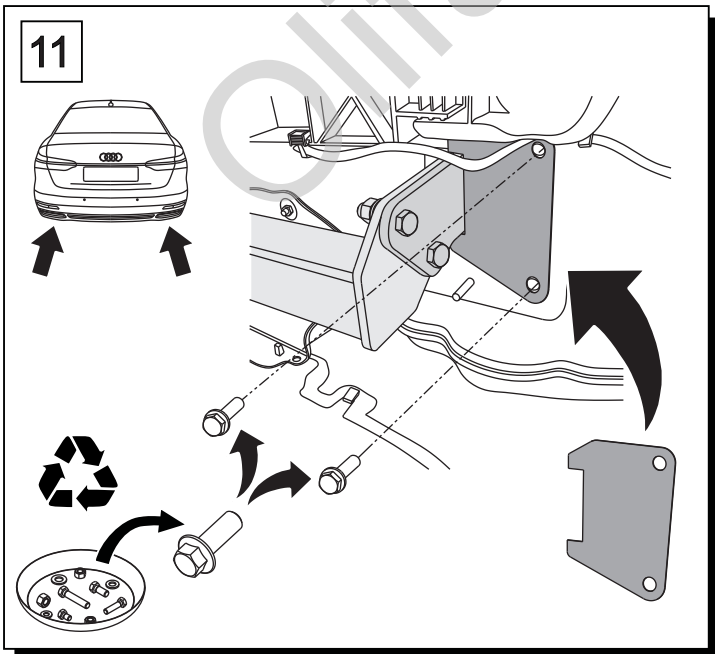
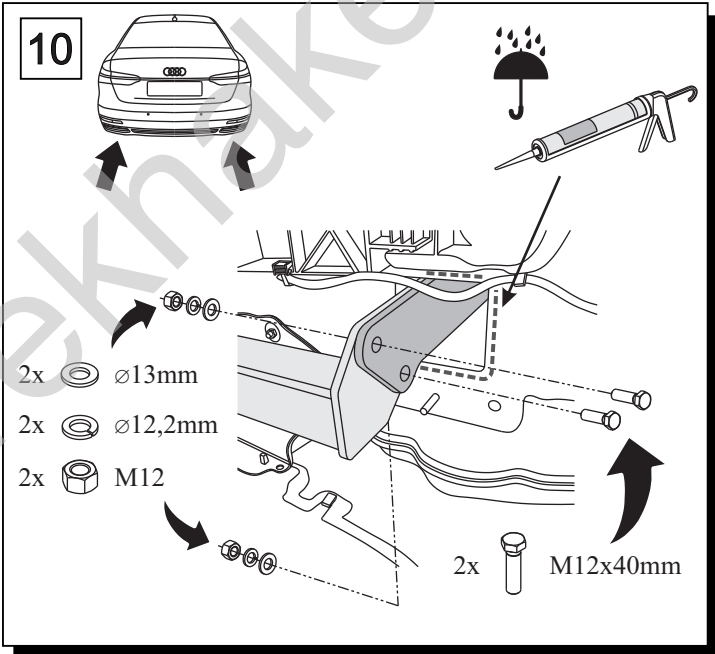
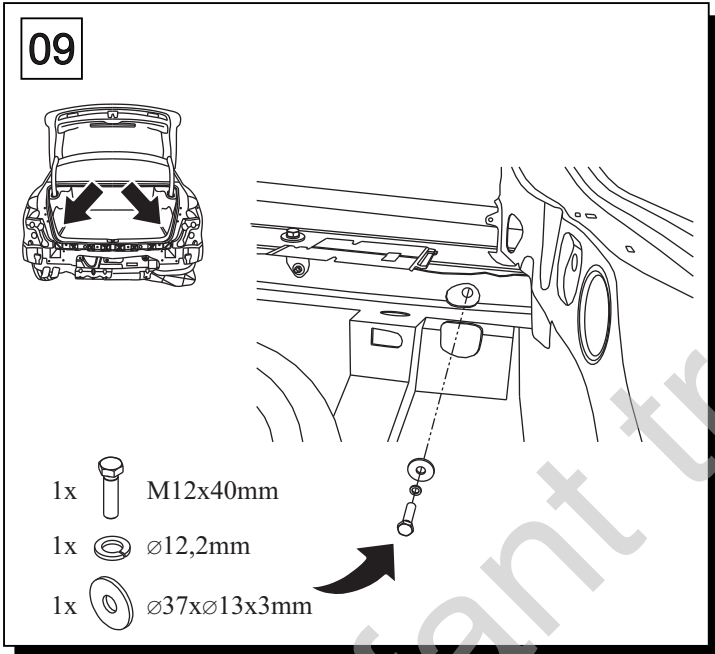
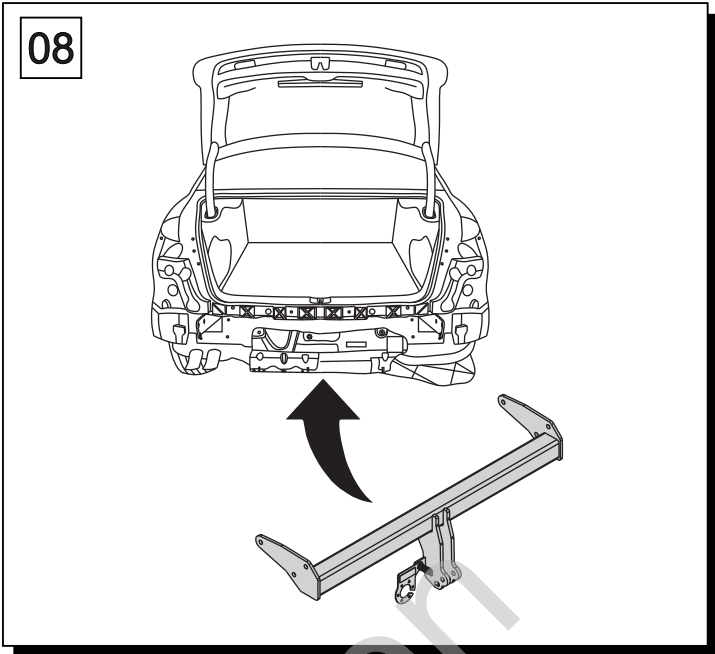
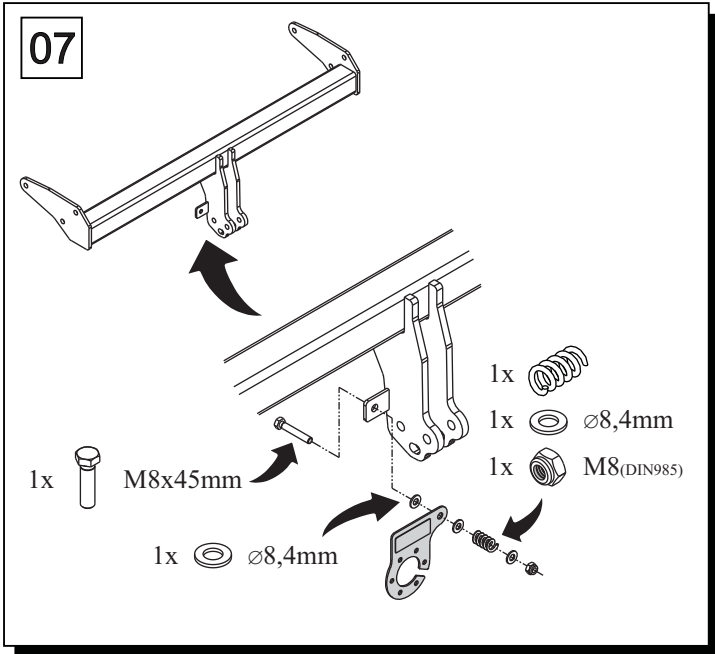


05

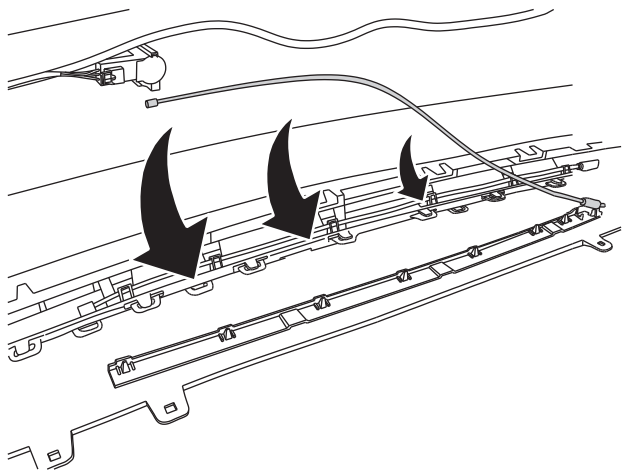


06

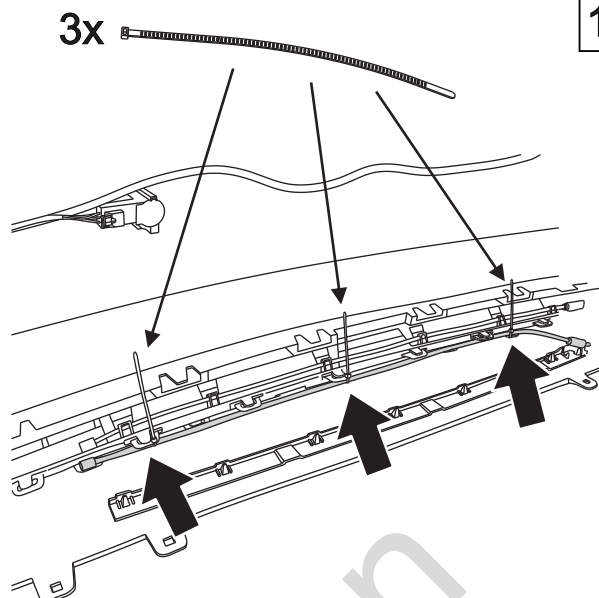




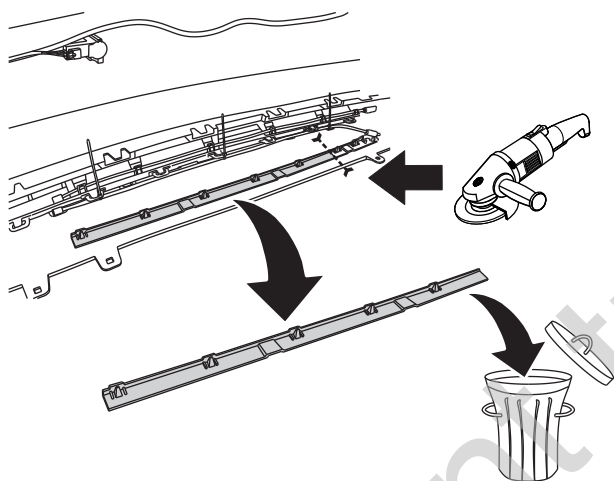
13



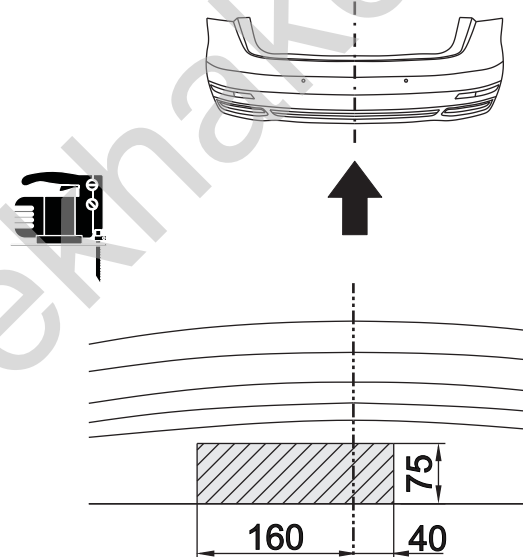
14



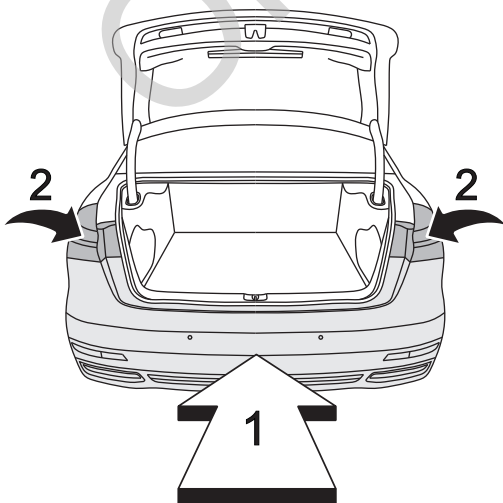
15



16



17



18

