

AUTO-HAK Sp. z o.o.

ul. Słoneczna 16K 76-200 SŁUPSK
POLAND

tel/fax +48 59 8 414 414; +48 59 8 414 413

e-mail: office@autohak.com.pl

www.autohak.com.pl



AUTO-HAK

AUDI

Q3 (F3B) (+S line) (+RS)

07.2018 →

Q3 SPORTBACK (F3N) (+S line) (+RS)

06.2019 →

Nr kat.

A38

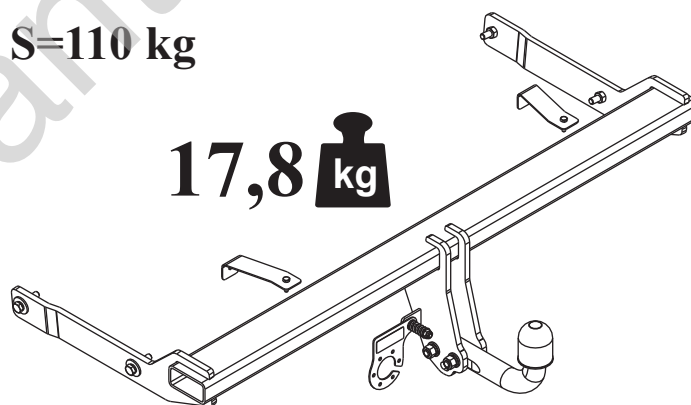
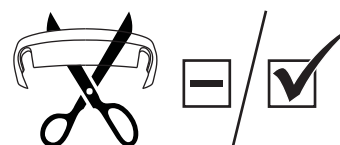
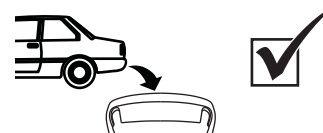
E20*55R02*6457

D 11,25 kN

R=2300 kg

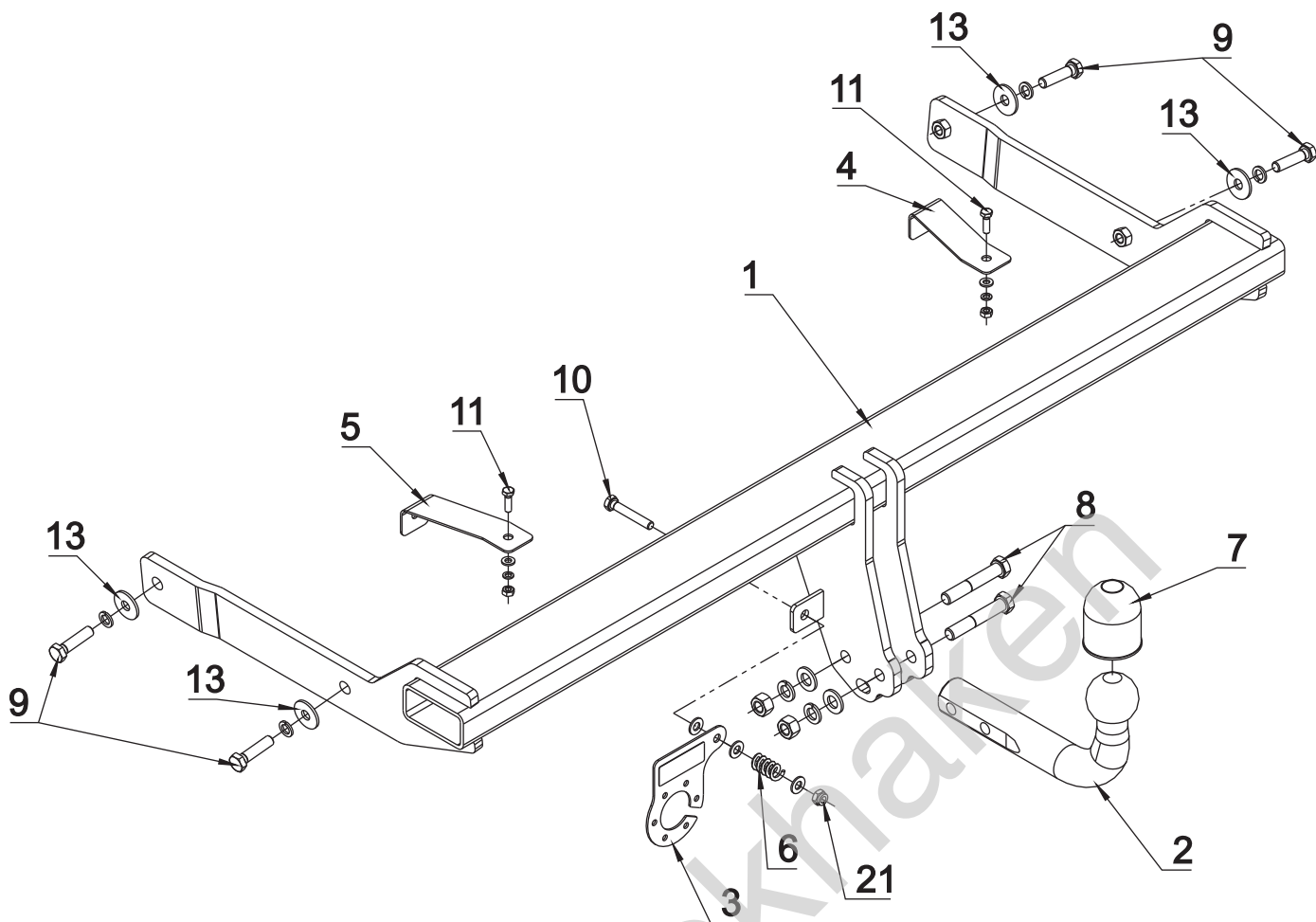
S=110 kg

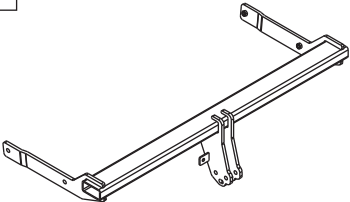


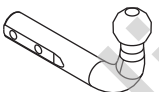

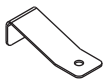

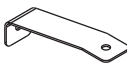
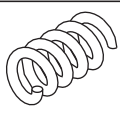



17,8 kg

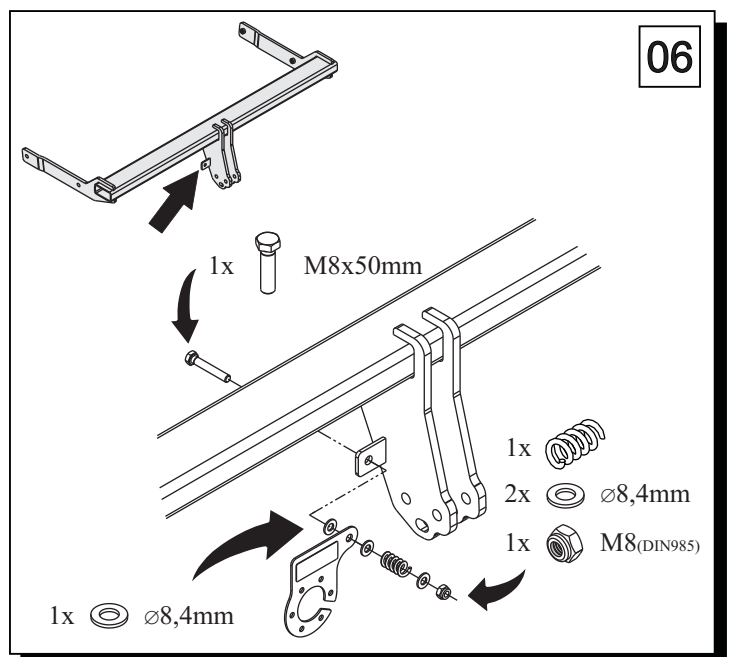
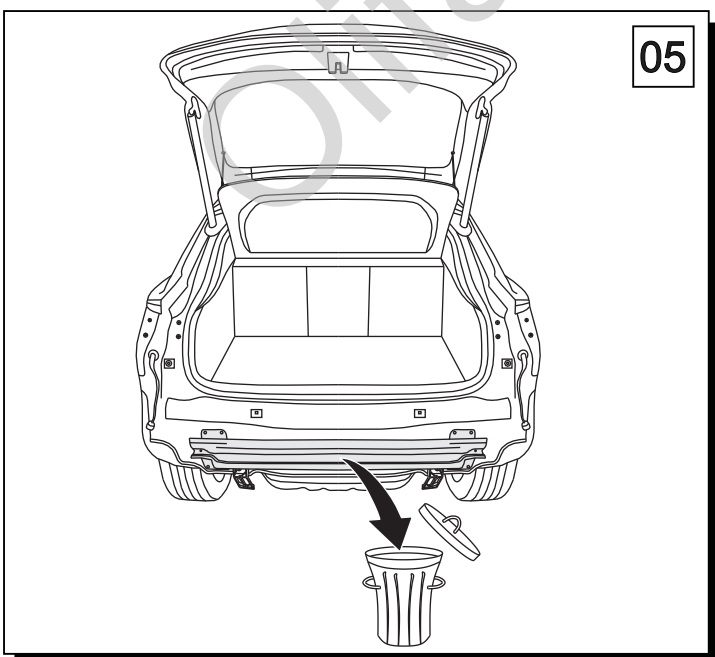
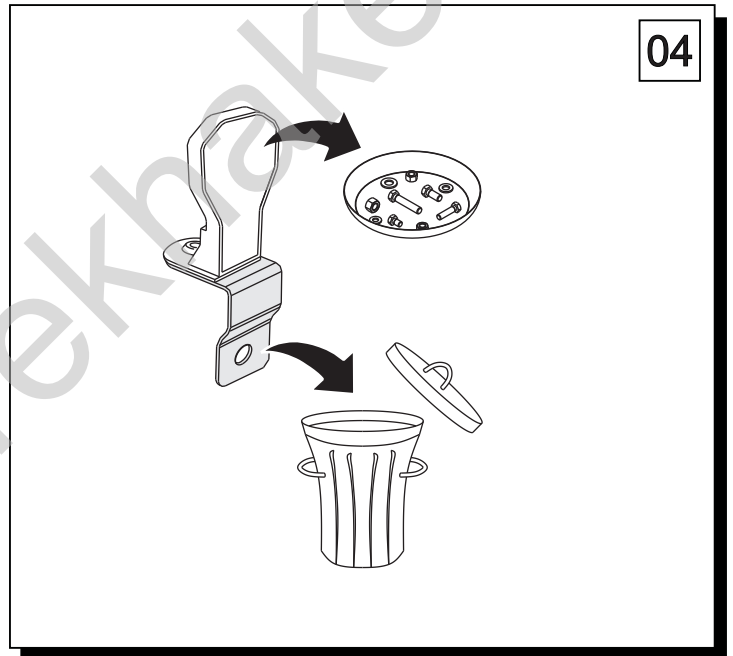
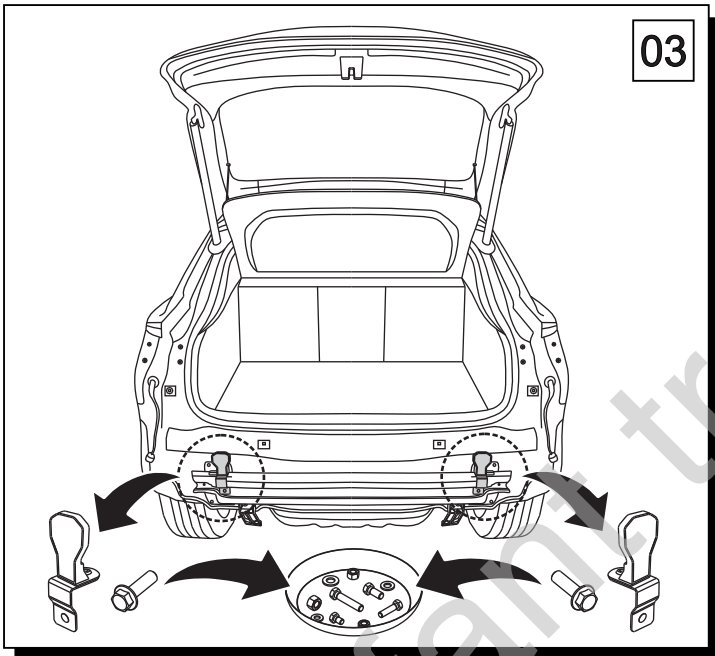
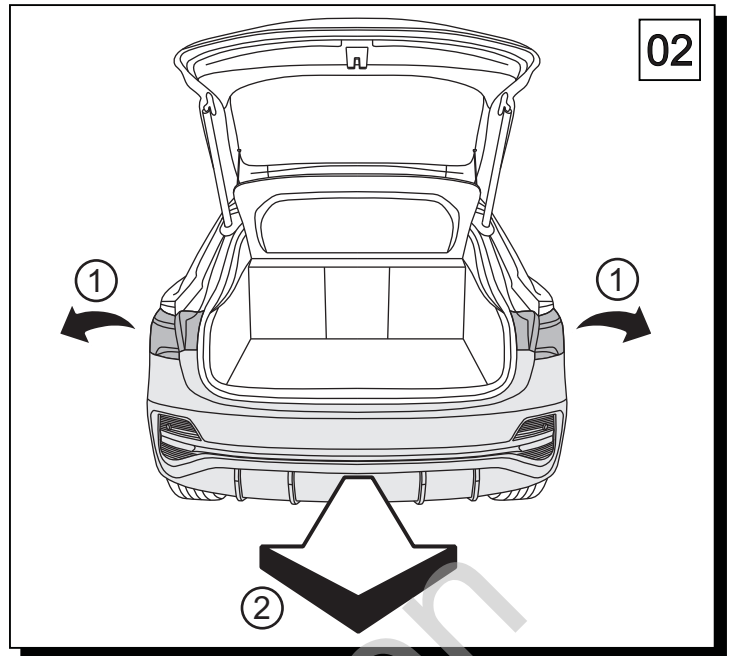
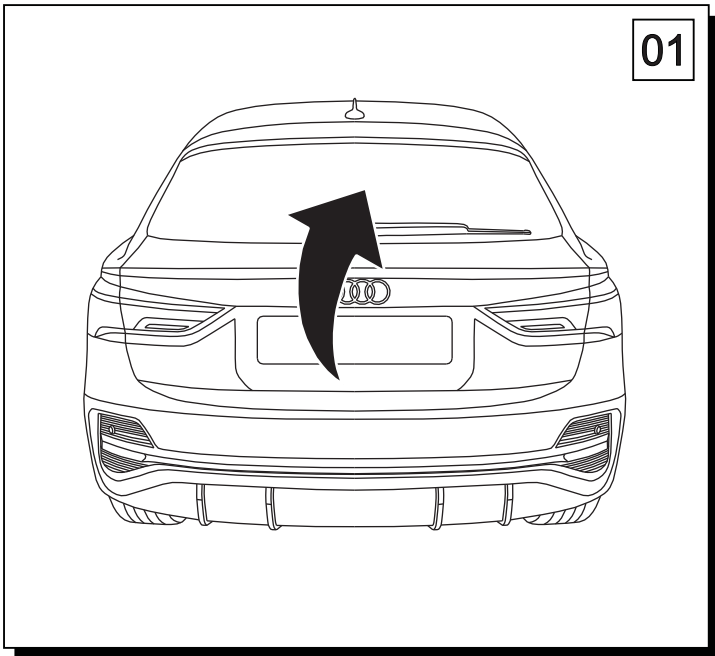


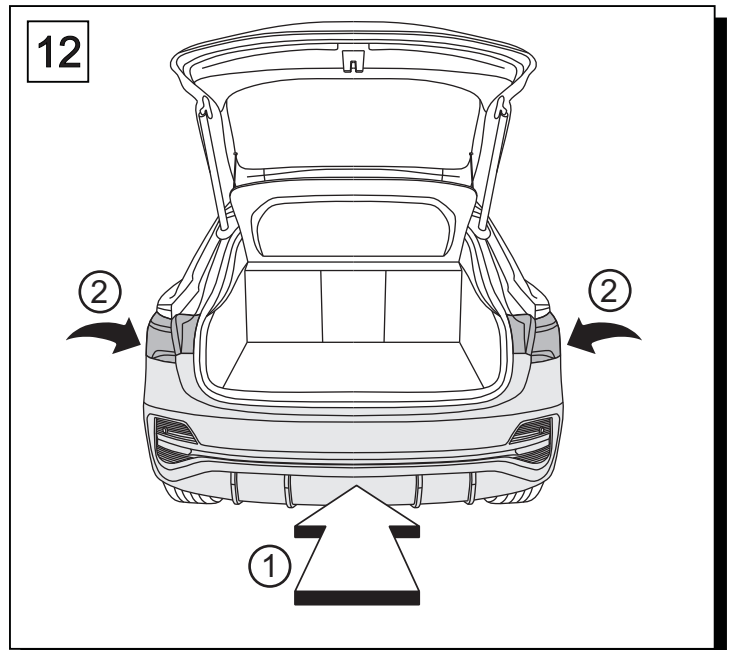
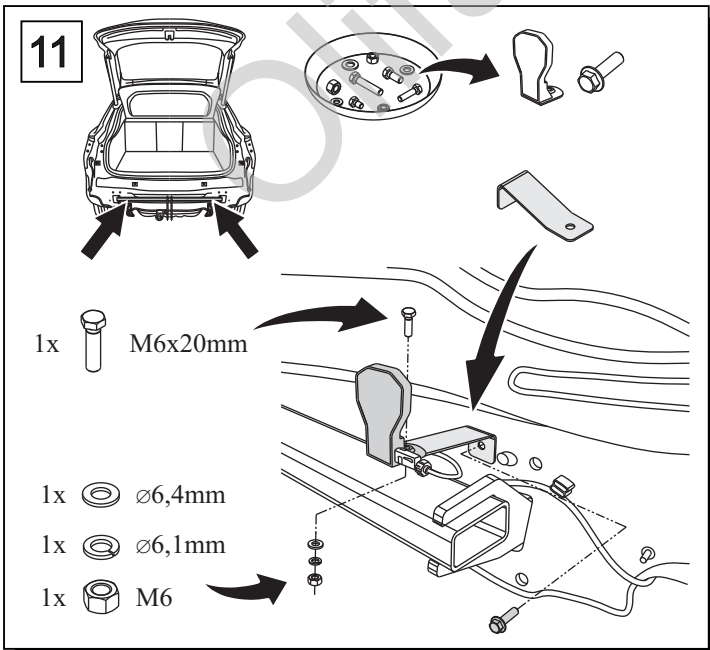
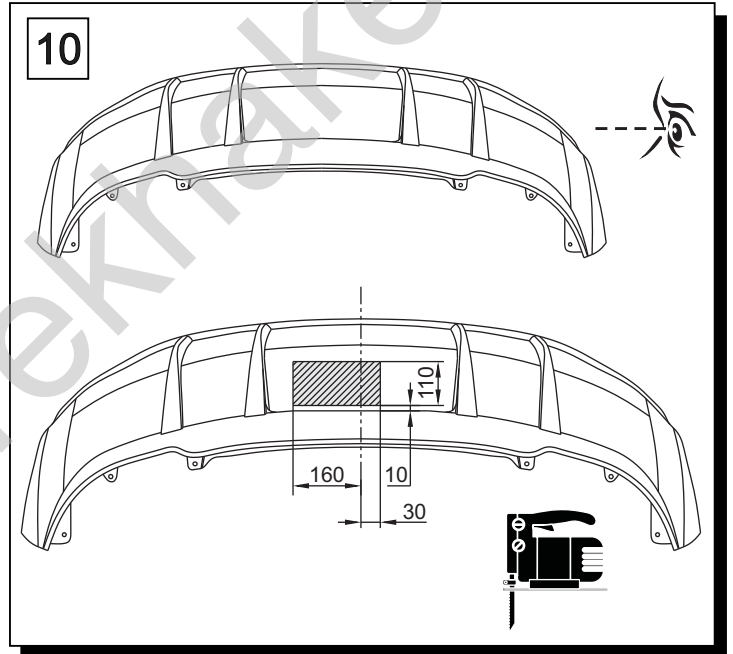
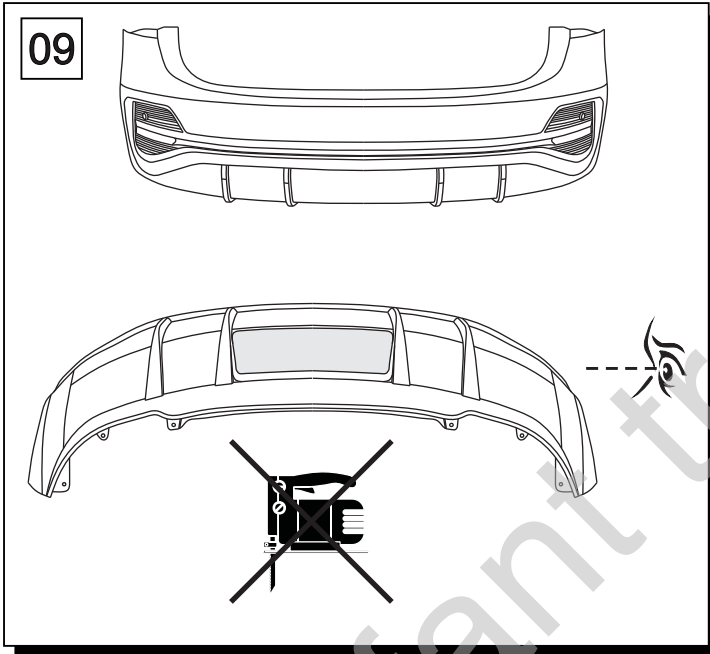
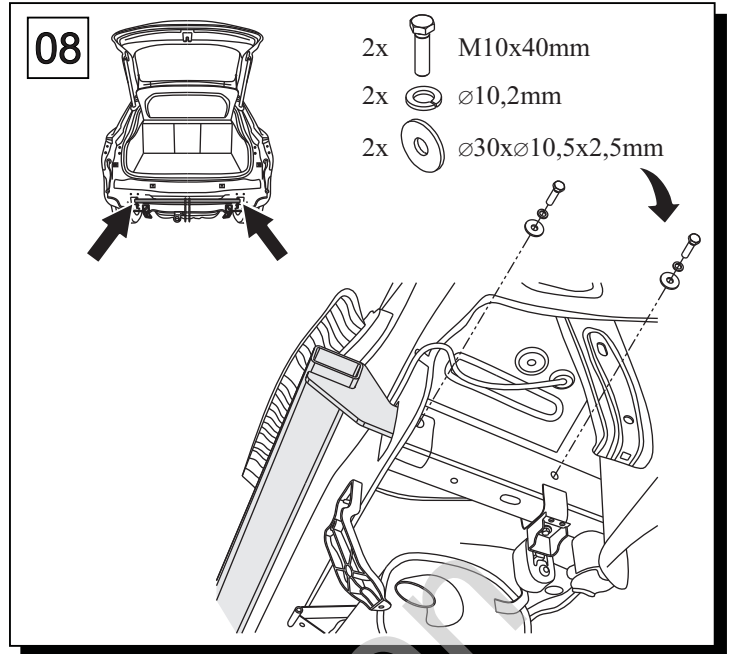
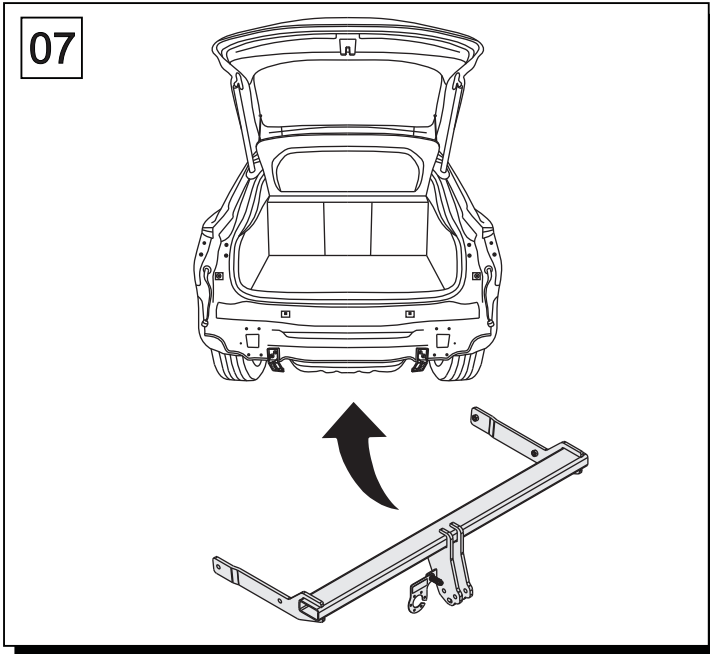
śruba	Nm	M6	M8	M10	M12	M14	M16
klasa 8.8		9,9	24	48	83	132	200
klasa 10.9		14	34	67	117	185	285

0 km → 1000 km



1		x1		8 M12x70	x2
				9 M10x40	x4
				10 M8x50	x1
				11 M6x20	x2
				12 ϕ 13	x2
2		x1		13 ϕ 30x ϕ 10.5x2.5 10 DIN 9021	4
	Art.nr-KL1A38				
3		x1		14 ϕ 8.4	x3
	Art.nr-BL12A38			15 ϕ 6.4	x2
4		x1		16 ϕ 12.2	x2
				17 ϕ 10.2	x4
5		x1		18 ϕ 6.1	x2
6		x1		19 M12	x2
				20 M6	x2
7		x1		21 M8 (DIN985)	x1



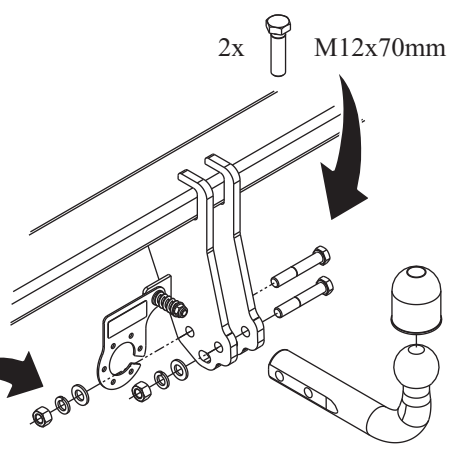


13



2x M12x70mm

- 2x $\varnothing 13\text{mm}$
- 2x $\varnothing 12,2\text{mm}$
- 2x M12



Olifant trekhaken

