

AUTO-HAK Sp. z o.o.

ul. Słoneczna 16K 76-200 SŁUPSK

POLAND

tel/fax +48 59 8 414 414; +48 59 8 414 413

e-mail: office@autohak.com.pl

www.autohak.com.pl



AUTO-HAK

AUDI Q5 (FY)

+ S-Line

Nr kat.

A37



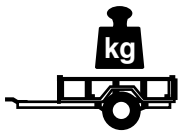
02.2017 →



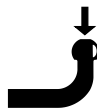
E20-55R-01 5412

D

11,90 kN



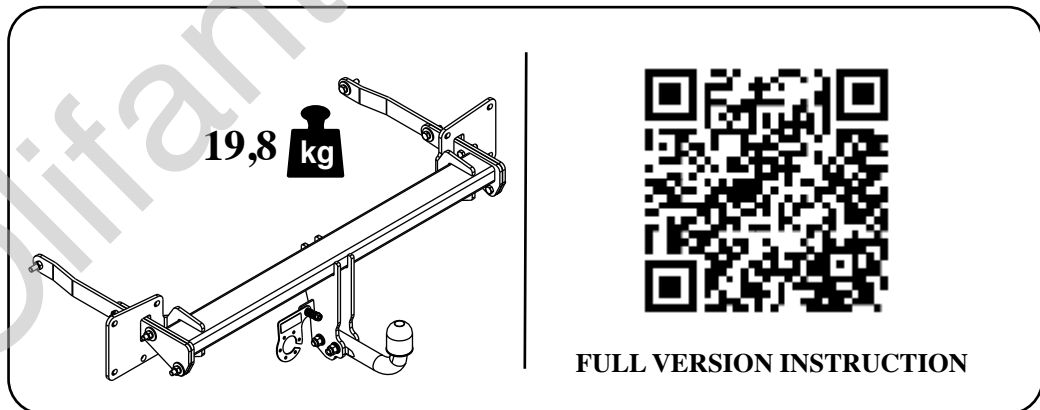
R=2400 kg



S=100 kg



2h



19,8 kg

FULL VERSION INSTRUCTION



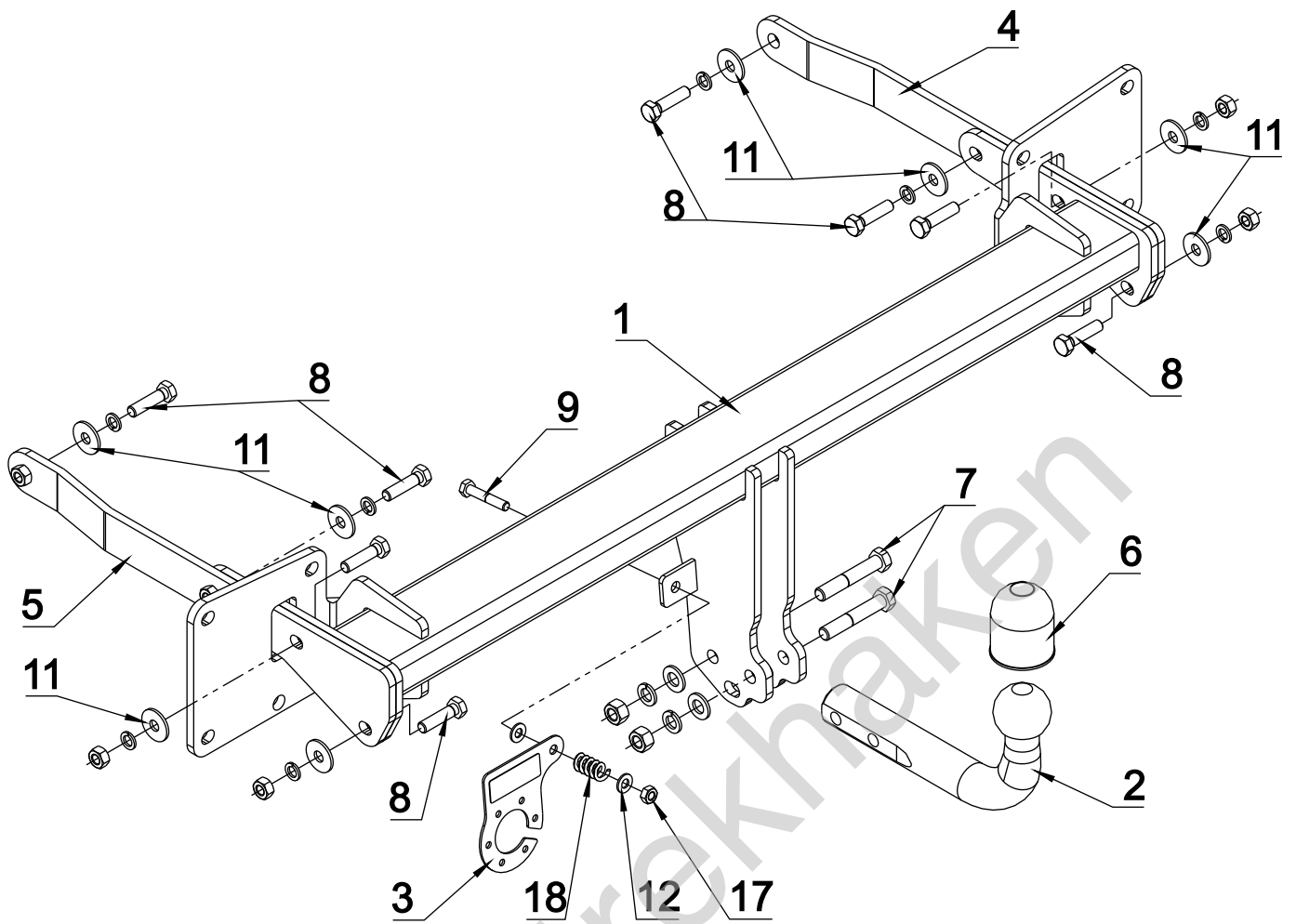
śruba	Nm	M6	M8	M10	M12	M14	M16
klasa 8.8		9,9	24	48	83	132	200
klasa 10.9		14	34	67	117	185	285

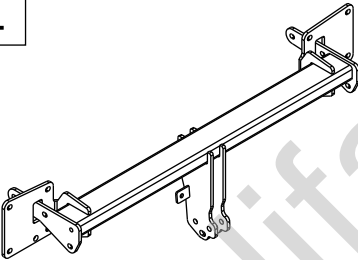

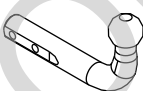
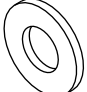


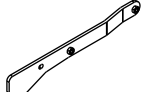
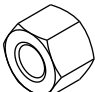
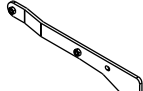

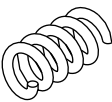
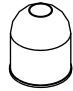


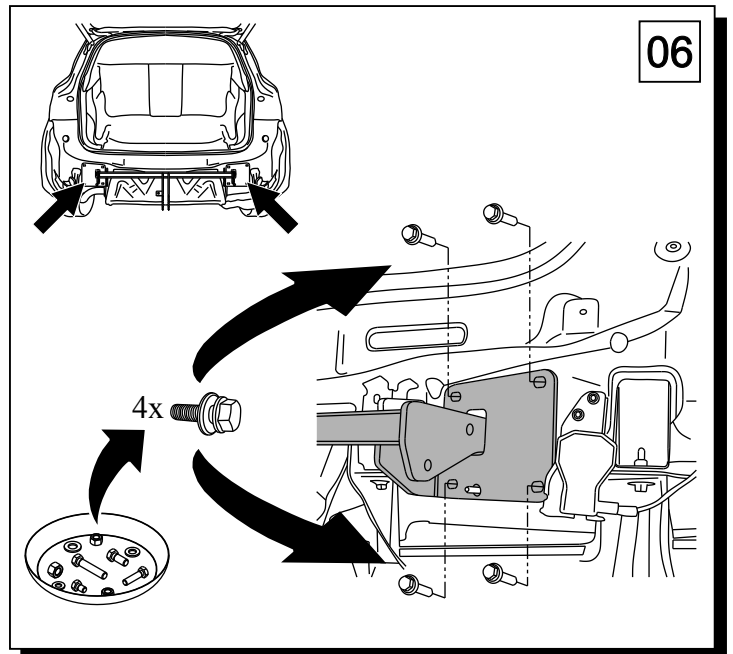
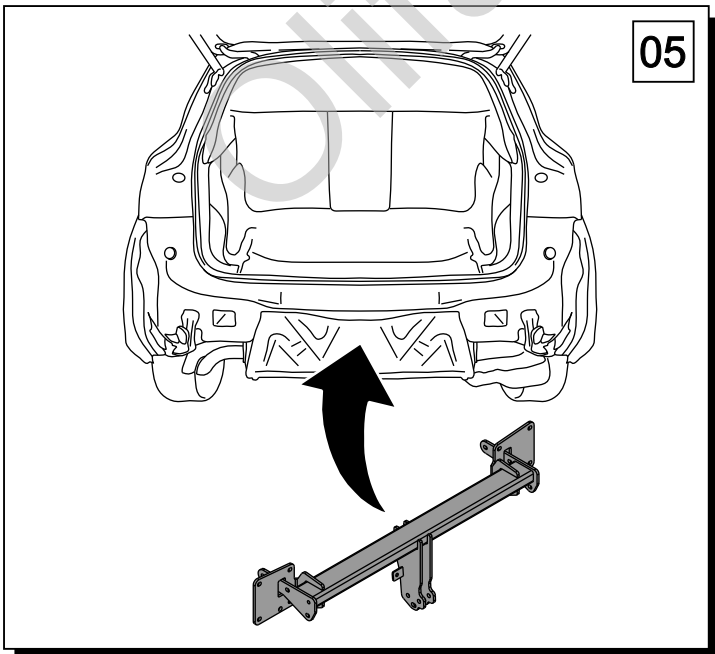
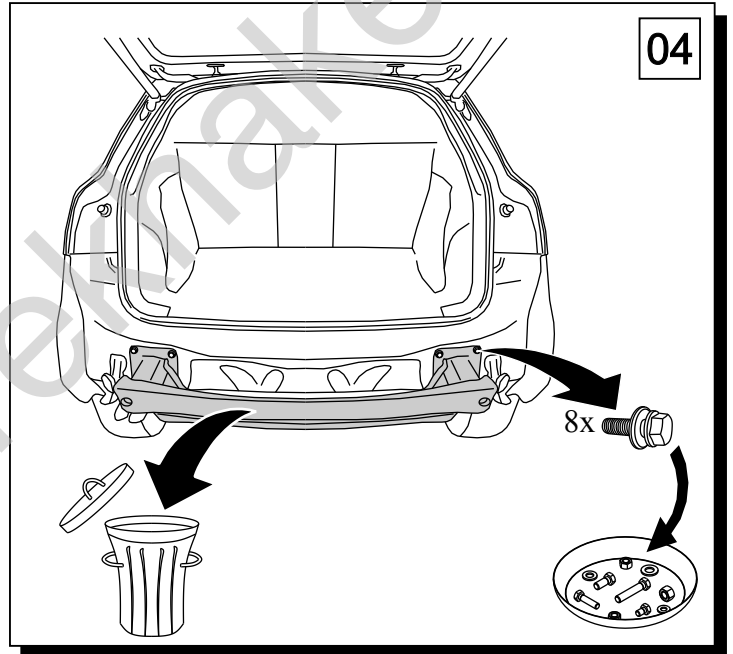
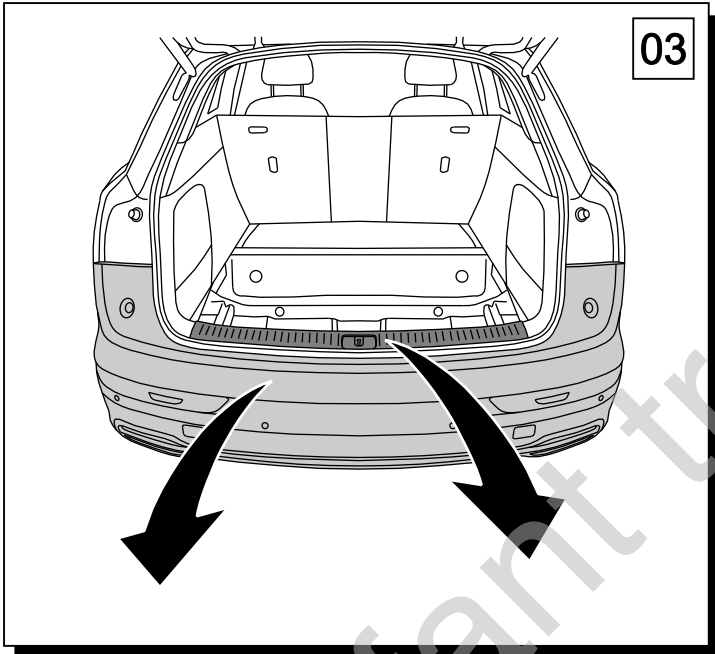
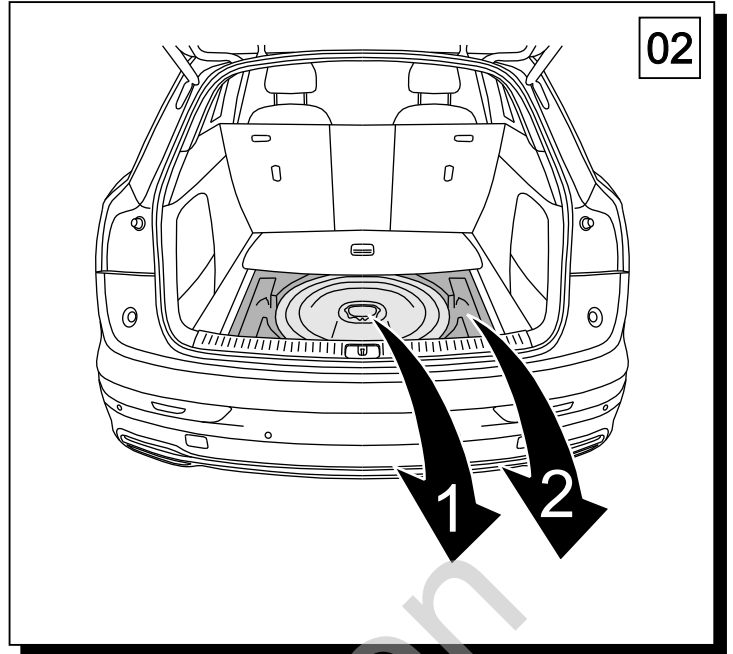
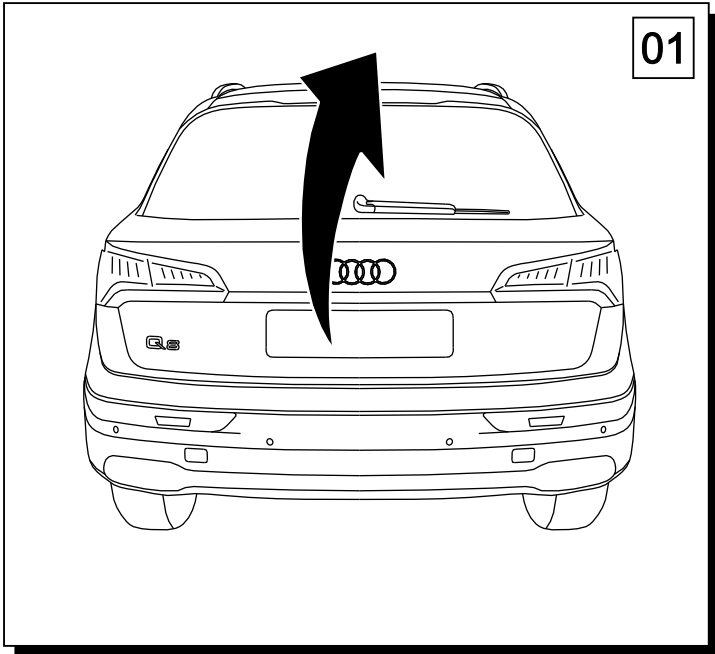
0 km →

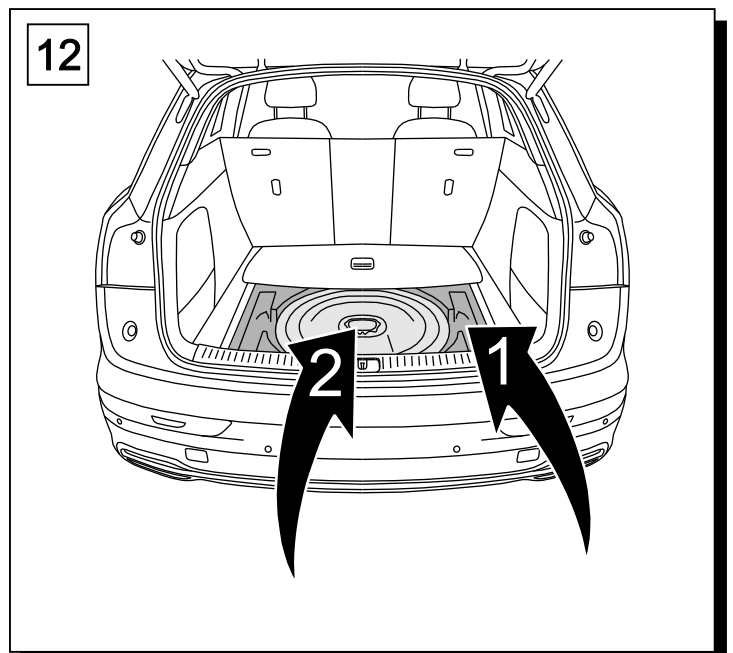
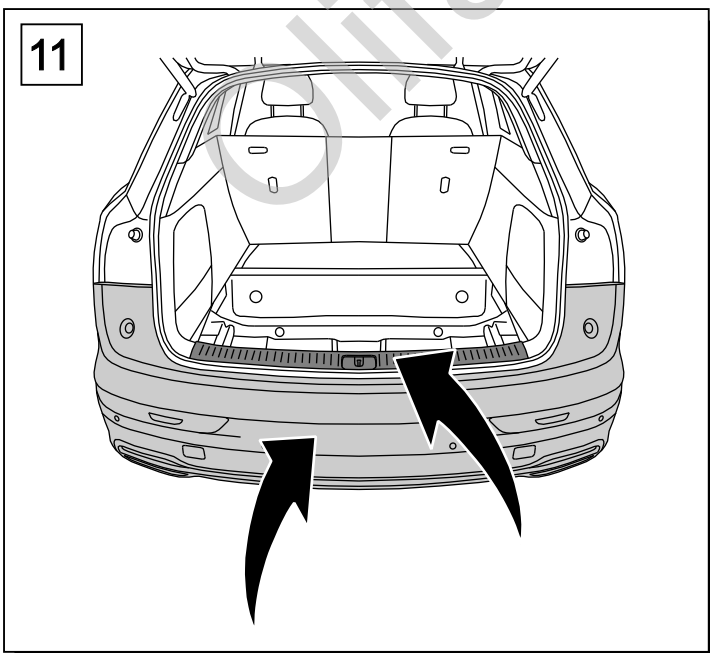
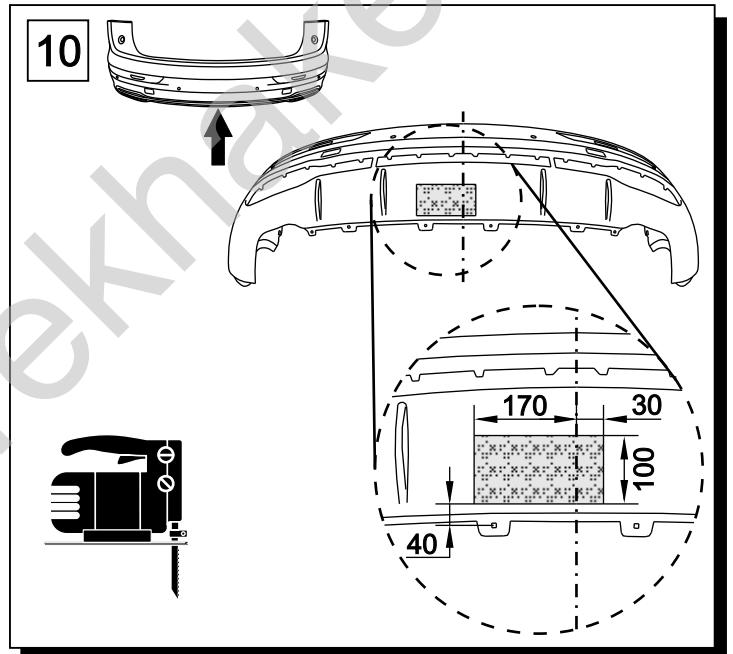
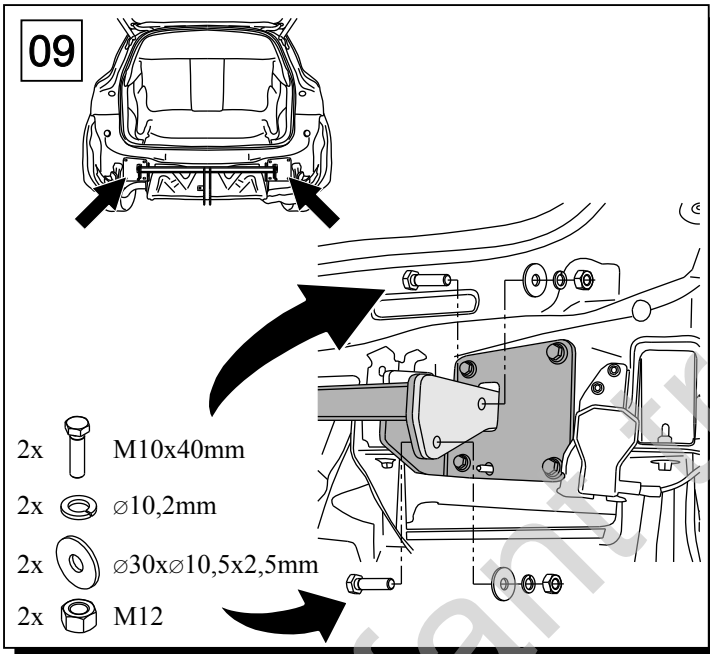
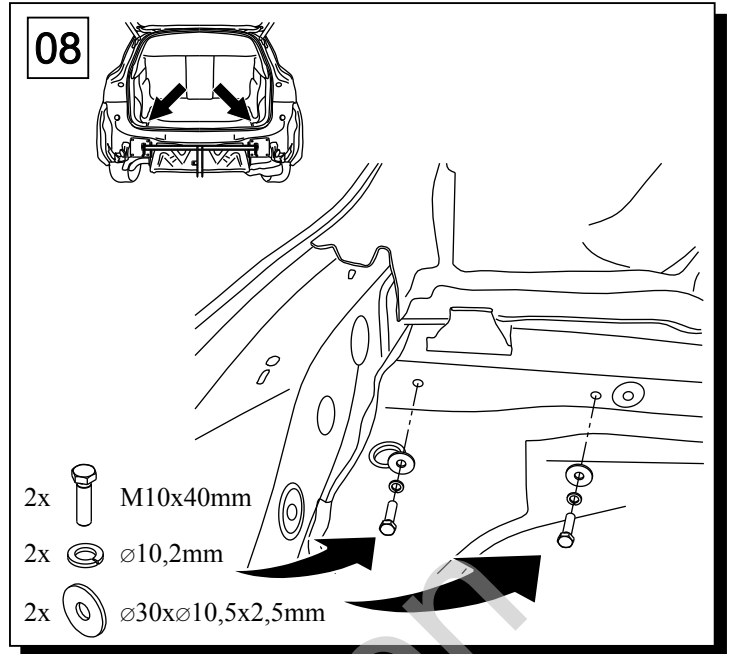
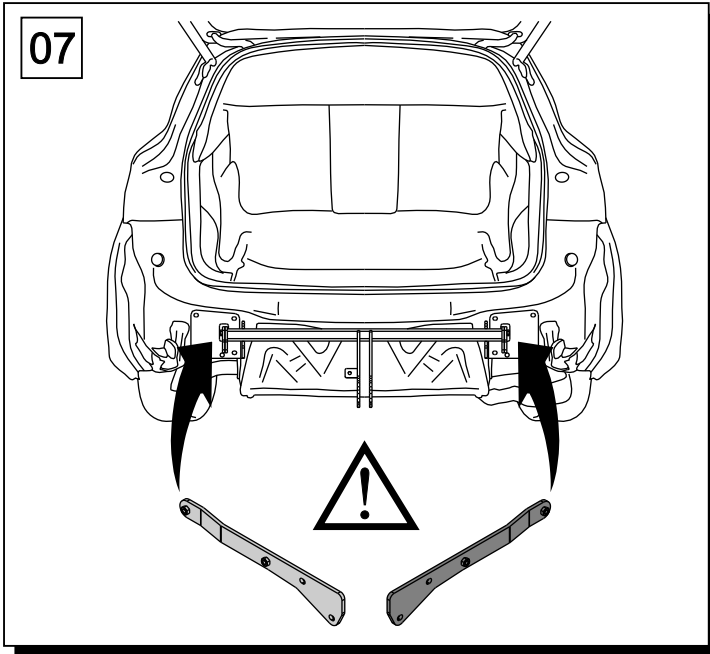


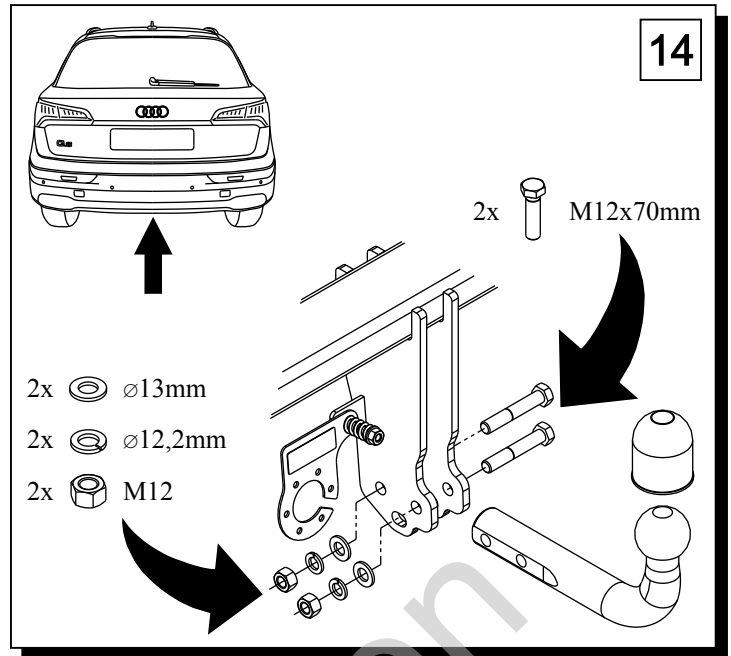
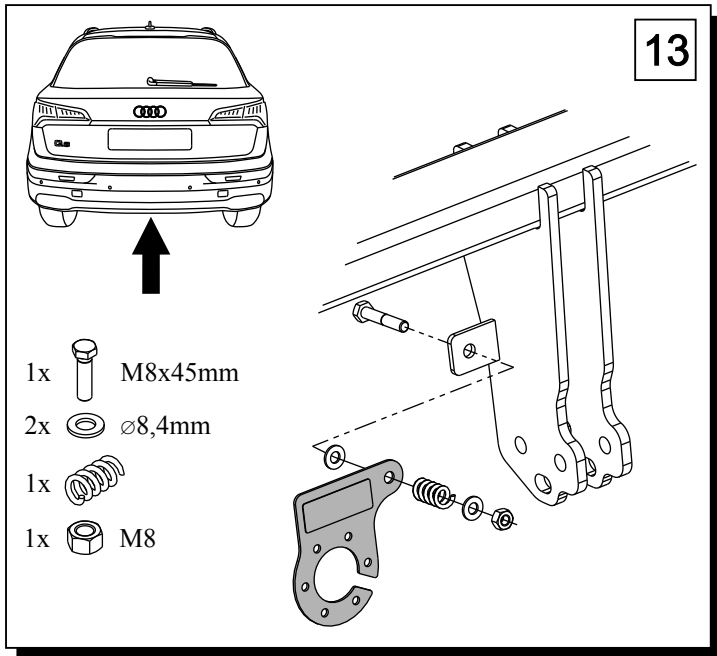
1000 km



	x1		7 M12x70	x2
			8 M10x40	x8
			9 M8x45	x1
			10 \varnothing 13	x2
	x1 Art.nr-KL1A37		11 \varnothing 30x \varnothing 10.5x2.5 10 (DIN 9021)	x8
			12 \varnothing 8	x2
	x1 Art.nr-BL1A37		13 \varnothing 12.2	x2
			14 \varnothing 10.2	x8
	x1		15 M12	x2
			16 M10	x4
	x1		17 M8	x1
			18	
	x1			







Olifant trekhaken