

**AUTO-HAK Sp. z o.o.**

ul. Słoneczna 16K 76-200 SŁUPSK  
POLAND

tel/fax +48 59 8 414 414; +48 59 8 414 413

e-mail: [office@autohak.com.pl](mailto:office@autohak.com.pl)

[www.autohak.com.pl](http://www.autohak.com.pl)



**AUTO-HAK**

## AUDI Q2

Cat. no:

**A36**



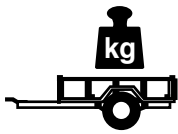
11.2016 →



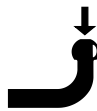
E20-55R-01 5421



10,3 kN



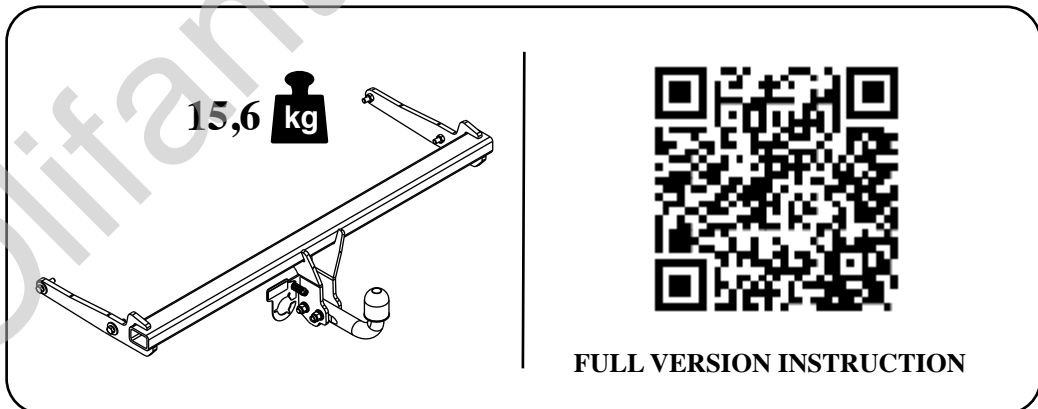
R=2000 kg



S=85 kg



1h



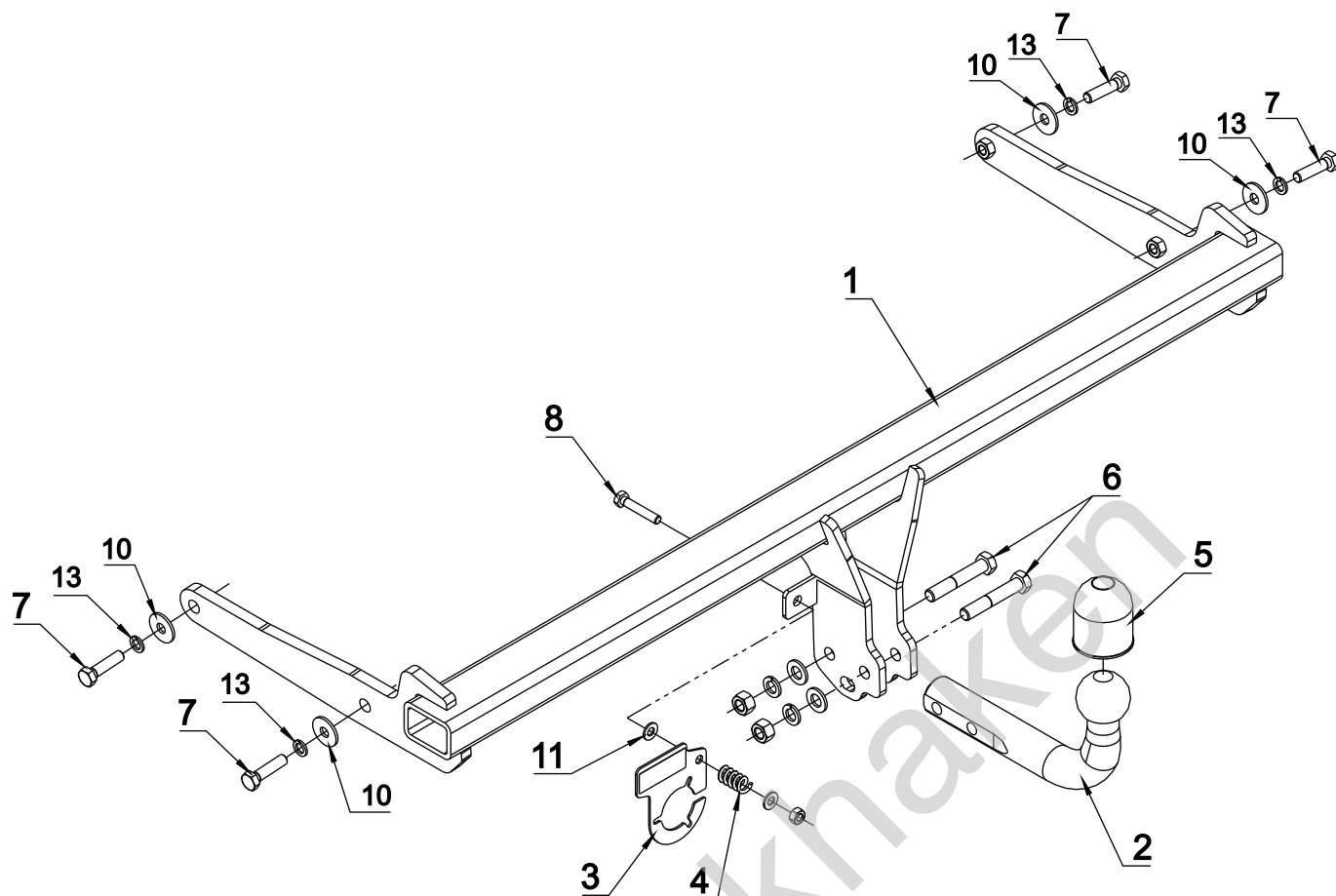
śruba	Nm	M6	M8	M10	M12	M14	M16
klasa 8.8		9,9	24	48	83	132	200
klasa 10.9		14	34	67	117	185	285

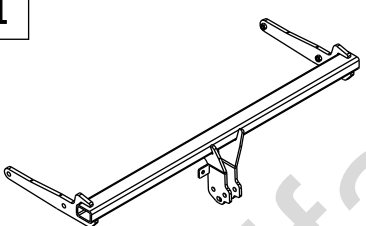





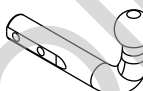



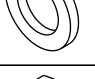
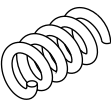


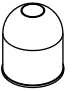


0 km →

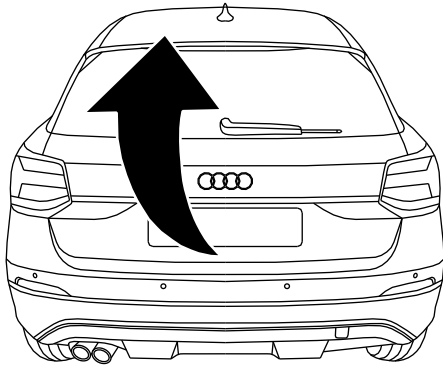


1000 km

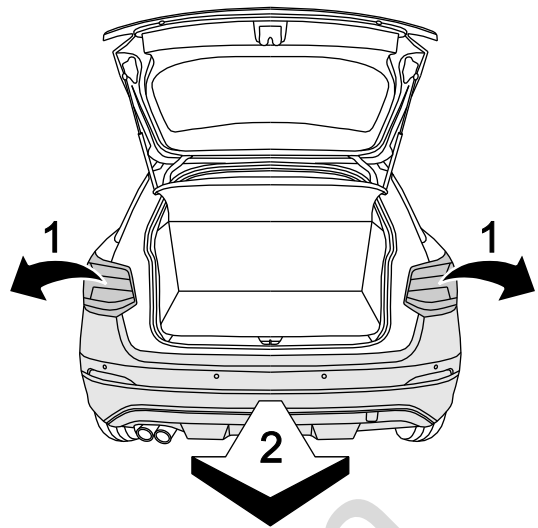


<b>1</b>		<b>x1</b>		<b>6</b> M12x70	<b>x2</b>
				<b>7</b> M10x40	<b>x4</b>
				<b>8</b> M8x45	<b>x1</b>
				<b>9</b> $\varnothing$ 13	<b>x2</b>
				<b>10</b> $\varnothing$ 30x $\varnothing$ 10.5x2.5 10 (DIN 9021)	<b>x4</b>
<b>2</b>		<b>x1</b> Art.nr-KL1A36		<b>11</b> $\varnothing$ 8.4	<b>x2</b>
<b>3</b>		<b>x1</b> Art.nr-BL1A36		<b>12</b> $\varnothing$ 12.2	<b>x2</b>
				<b>13</b> $\varnothing$ 10.2	<b>x4</b>
<b>4</b>		<b>x1</b>		<b>14</b> M12	<b>x2</b>
				<b>15</b> M8	<b>x1</b>
<b>5</b>		<b>x1</b>			

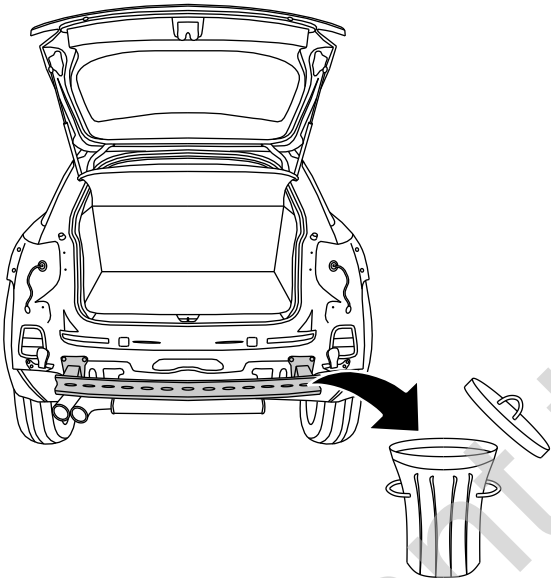
01



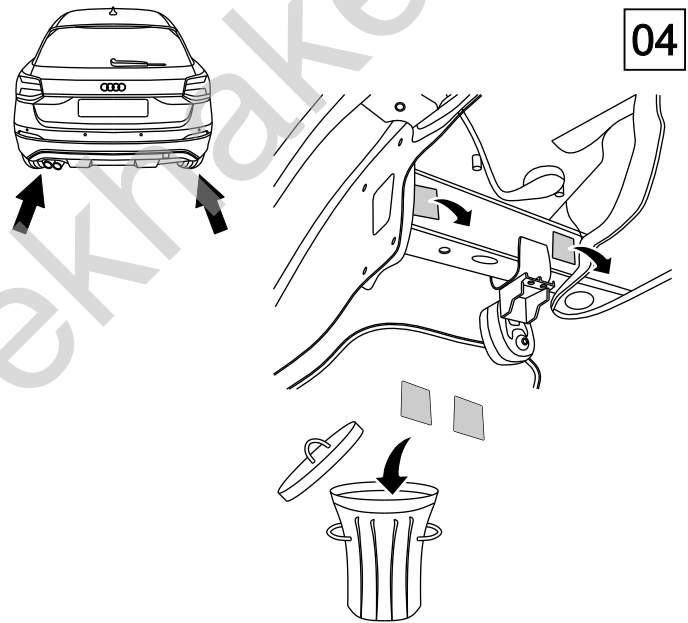
02



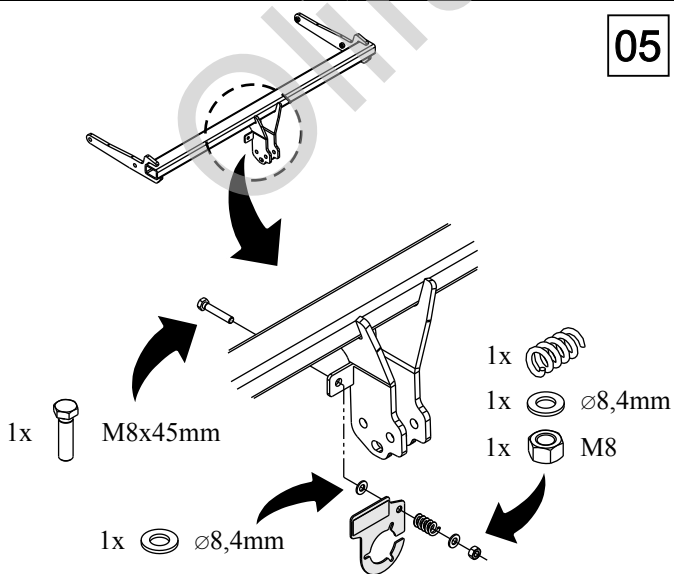
03



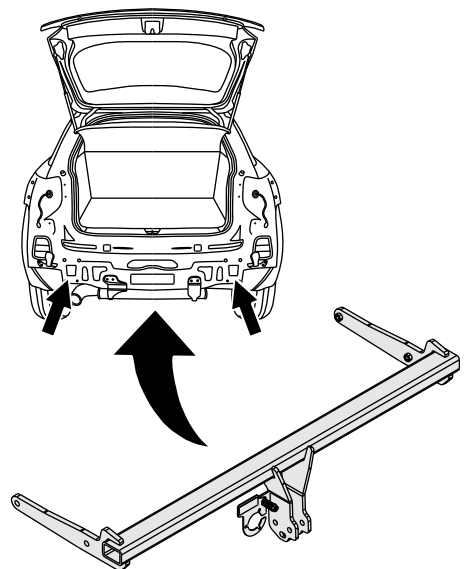
04



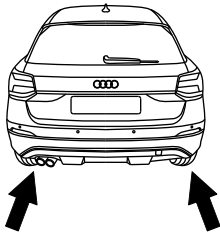
05






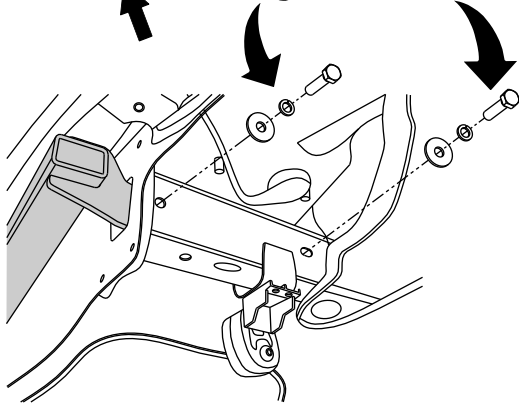
06



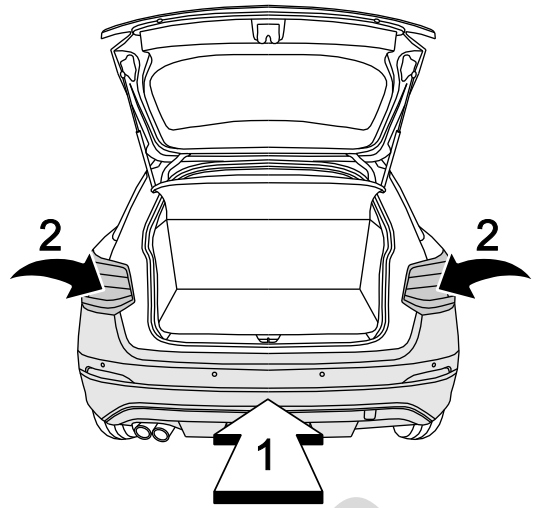
07



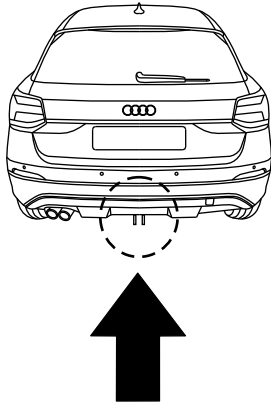
- 2x  M10x40mm
- 2x   $\varnothing 10,2\text{mm}$
- 2x   $\varnothing 30 \times 10,5 \times 2,5\text{mm}$






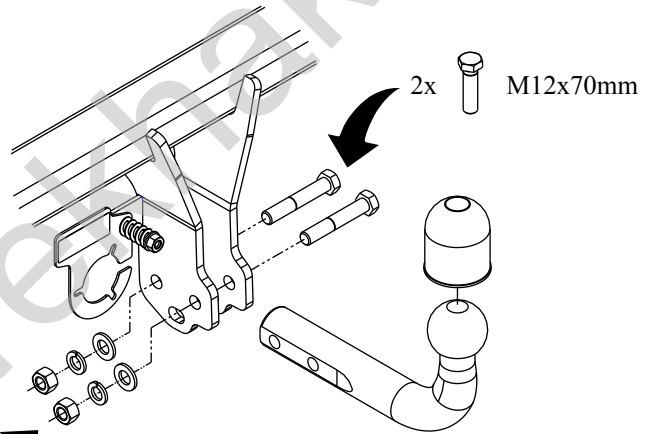
08



09



- 2x   $\varnothing 13\text{mm}$
- 2x   $\varnothing 12,2\text{mm}$
- 2x  M12



- 2x  M12x70mm