

AUTO-HAK Sp. z o.o.

ul. Słoneczna 16K 76-200 SŁUPSK
POLAND

tel/fax +48 59 8 414 414; +48 59 8 414 413

e-mail: office@autohak.com.pl

www.autohak.com.pl



AUTO-HAK

AUDI A4 S-LINE/S4

4D, Quattro (B8)

⌚ 11.2007 → 09.2015

AUDI A4 AVANT S-LINE/S4

Kombi, Quattro (B8)


⌚ 04.2008 → 09.2015

Cat. no:

A35A

E20 E20-55R-01 5246

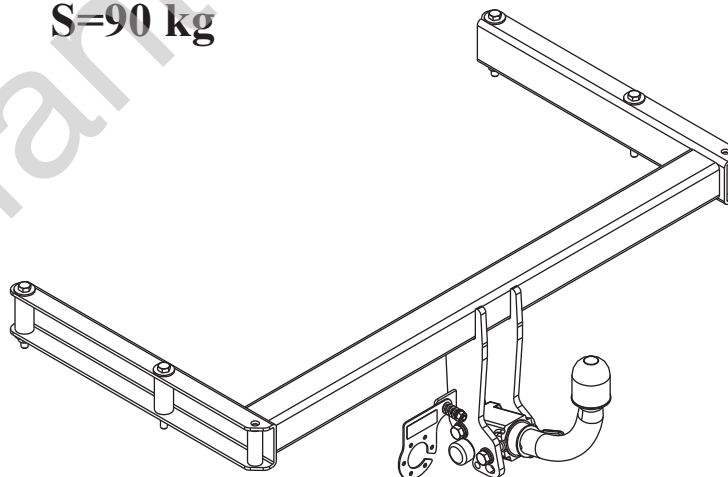
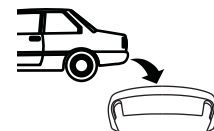
D 11,0 kN

 **R=2145 kg**

 **S=90 kg**



1,5h



M6 - 8,5 Nm
M10 - 41 Nm
M14 - 112 Nm

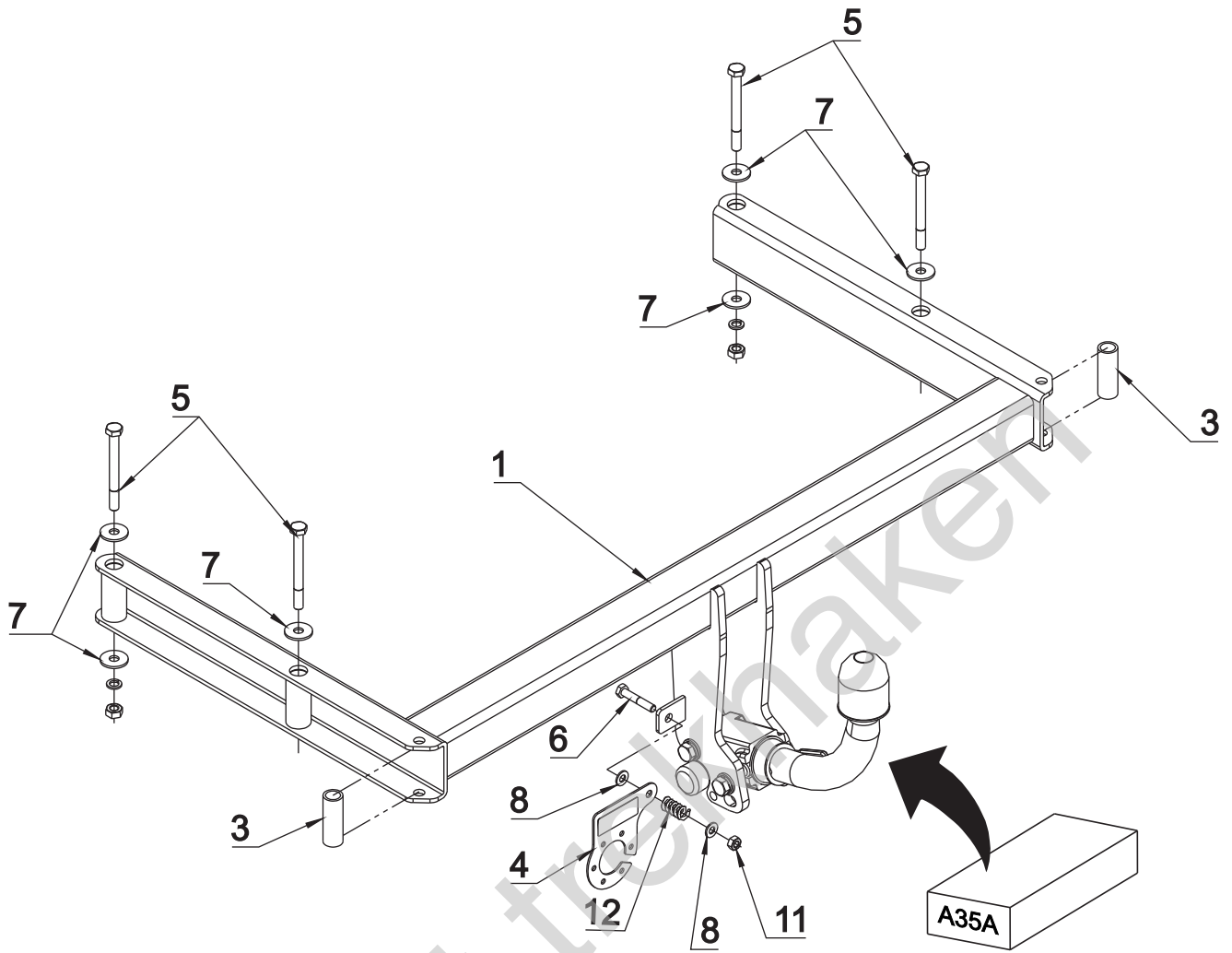
M8 - 20 Nm
M12 - 70 Nm
M16 - 170 Nm

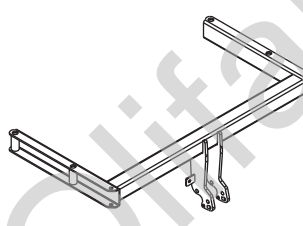
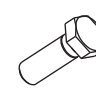

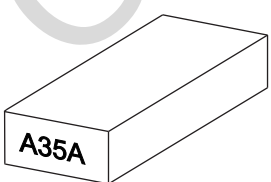


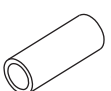
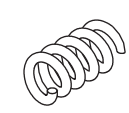
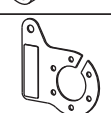


0 km →



1000 km



1 	x 1		5 M10x100	x 4	
				6 M8x45	x 1
				7 ϕ 30x ϕ 10.5x2.5 10 (DIN 9021)	x 6
				8 ϕ 8.4	x 2
2 	x 1 Art.nr-Z100 Art.nr-KL1A35A		9 ϕ 10.2	x 2	
				10 M10	x 2
				11 M8	x 1
3 	x 2	12 			
ϕ 21,3x2,65mm L=60mm					
4 	x 1 Art.nr-BL1A35A				

