

# AUTO-HAK Sp. z o.o.

ul. Słoneczna 16K 76-200 SŁUPSK  
POLAND

tel/fax +48 59 8 414 414; +48 59 8 414 413

e-mail: [office@autohak.com.pl](mailto:office@autohak.com.pl)

[www.autohak.com.pl](http://www.autohak.com.pl)



# AUTO-HAK

## AUDI A4 S-LINE/S4

4D, Quattro (B8)

⌚ 11.2007 → 09.2015

## AUDI A4 AVANT S-LINE/S4

Kombi, Quattro (B8)


⌚ 04.2008 → 09.2015

Cat. no:

**A35**

**E20** E20-55R-01 5245

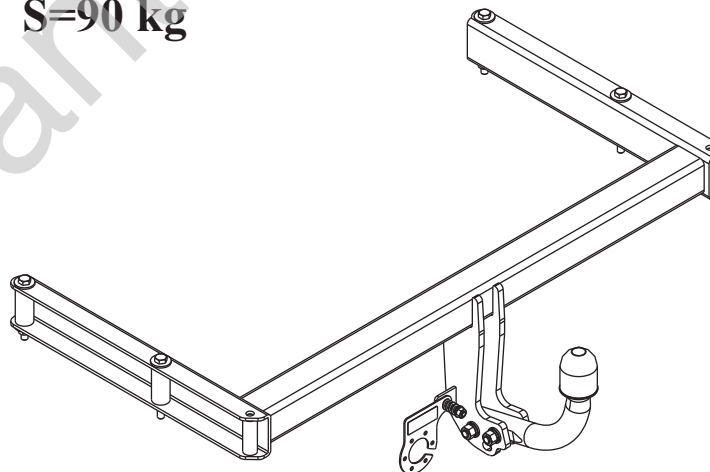
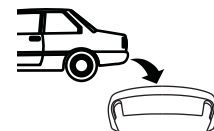
**D** 11,0 kN

 **R=2145 kg**

 **S=90 kg**



**1,5h**



**M6** - 8,5 Nm  
**M10** - 41 Nm  
**M14** - 112 Nm

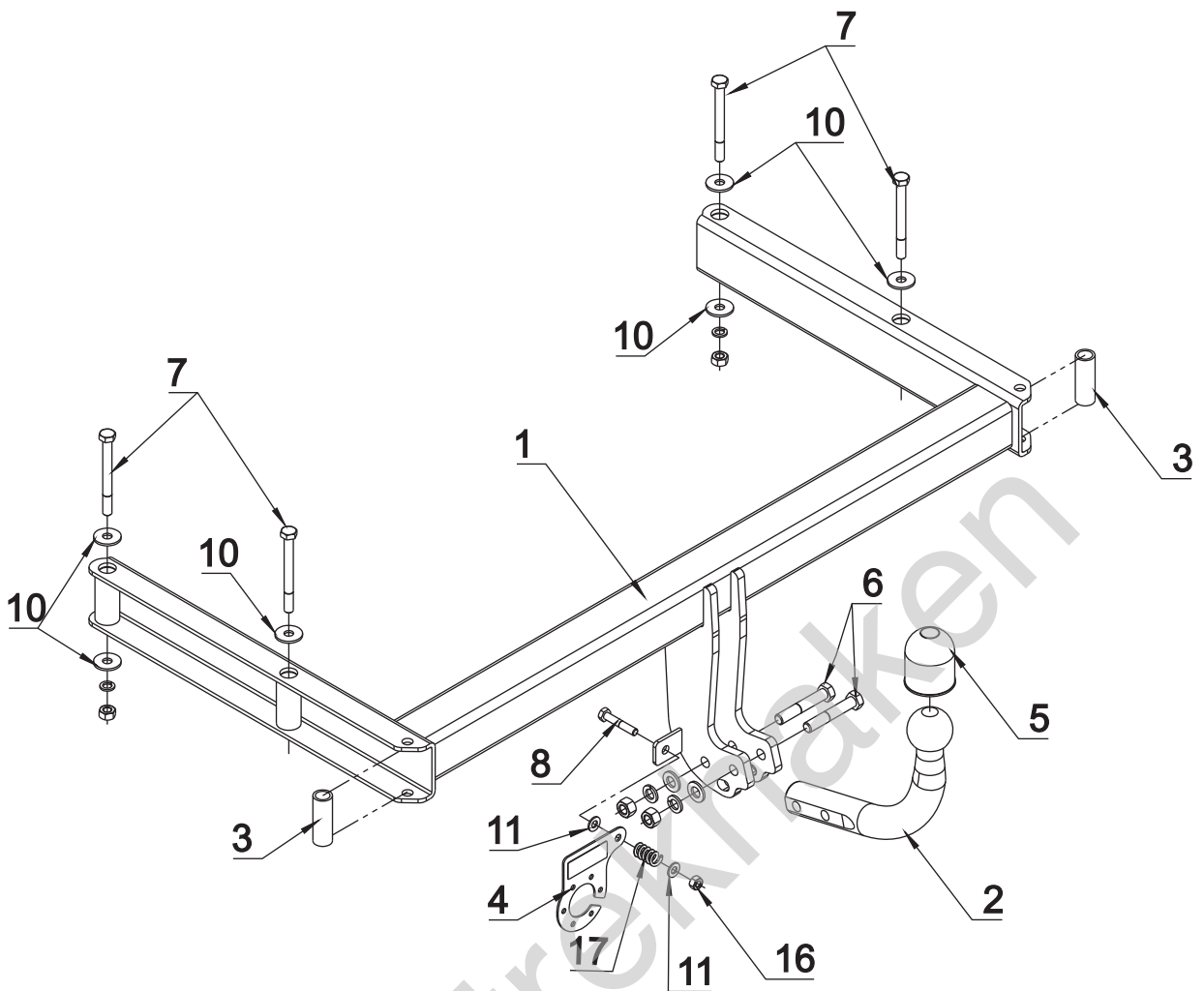
**M8** - 20 Nm  
**M12** - 70 Nm  
**M16** - 170 Nm

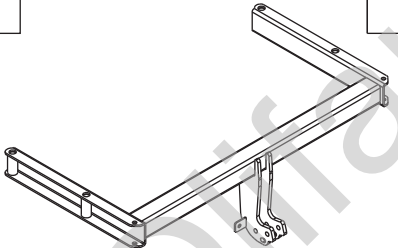


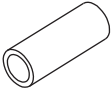






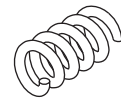


**0 km** →



**1000 km**



1		x1		6	M12x70	x2
				7	M10x100	x4
2		x1		8	M8x45	x1
				9	∅ 13	x2
3		x2		10	∅ 30x∅10.5x2.5 10 (DIN 9021)	x6
				11	∅ 8.4	x2
4		x1		12	∅ 12.2	x2
				13	∅ 10.2	x2
5		x1		14	M12	x2
				15	M10	x2
				16	M8	x1
				17		x1

