

# AUTO-HAK Sp. z o.o.

ul. Słoneczna 16K 76-200 SŁUPSK  
POLAND

tel/fax +48 59 8 414 414; +48 59 8 414 413

e-mail: [office@autohak.com.pl](mailto:office@autohak.com.pl)

[www.autohak.com.pl](http://www.autohak.com.pl)



# AUTO-HAK



AUDI Q7  
SUV, ~~SQ7~~

Cat. no:

A32



07.2015 →



E20-55R-01 4584



2h



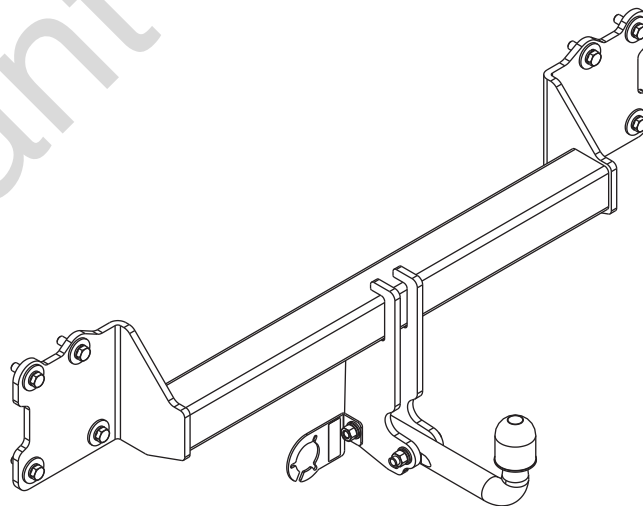
16,4 kN



R=3500 kg



S=150 kg



M6 - 11 Nm  
M10 - 50 Nm  
M14 - 138 Nm

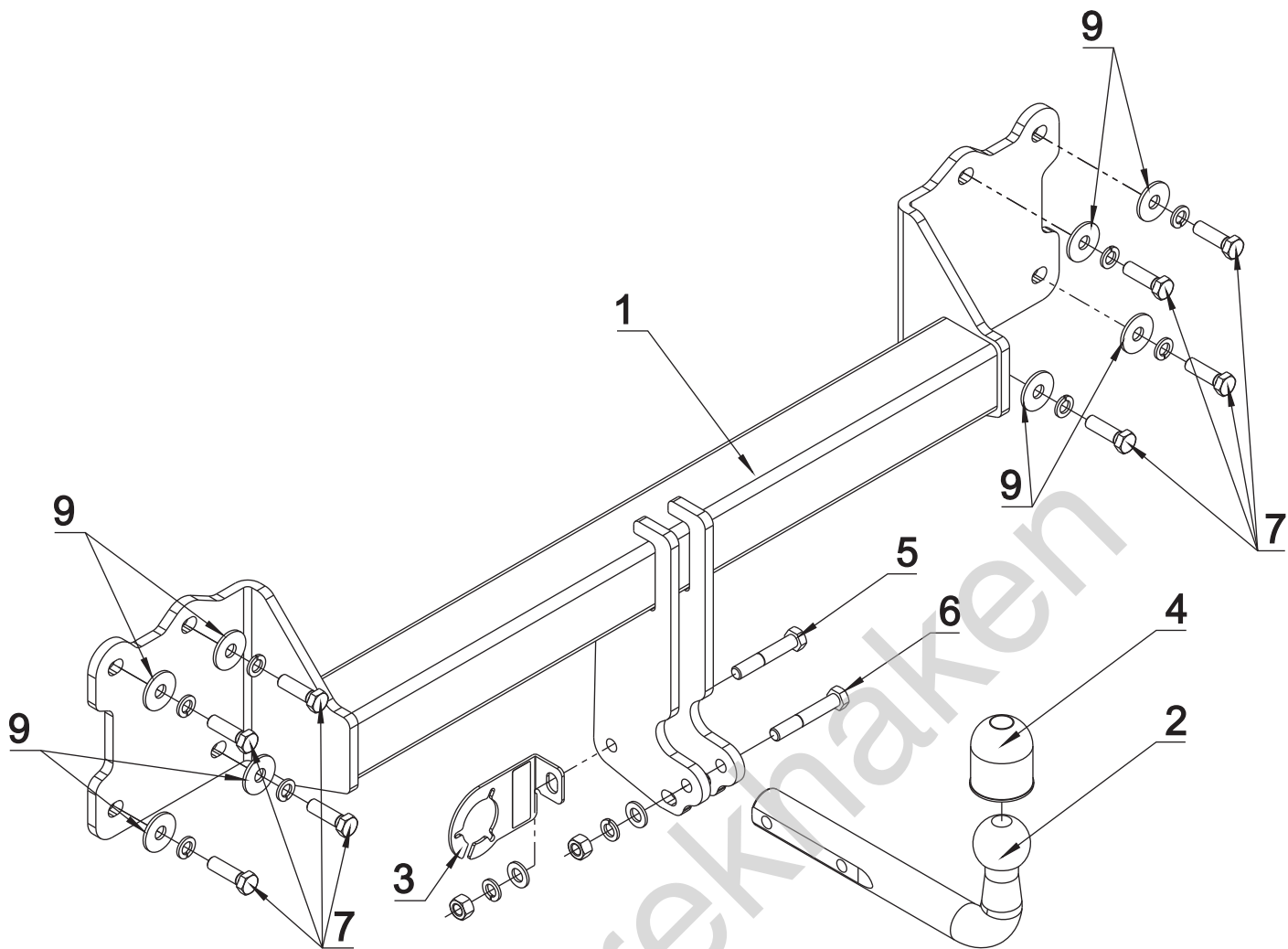
M8 - 25 Nm  
M12 - 87 Nm  
M16 - 210 Nm

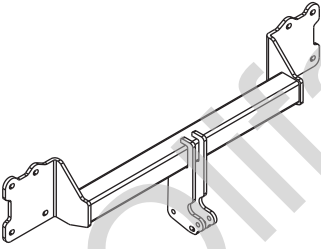







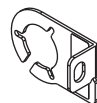


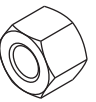


0 km →

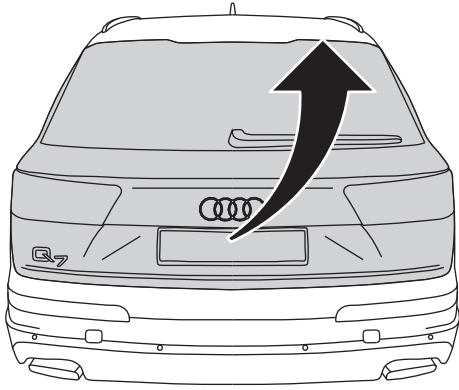


1000 km

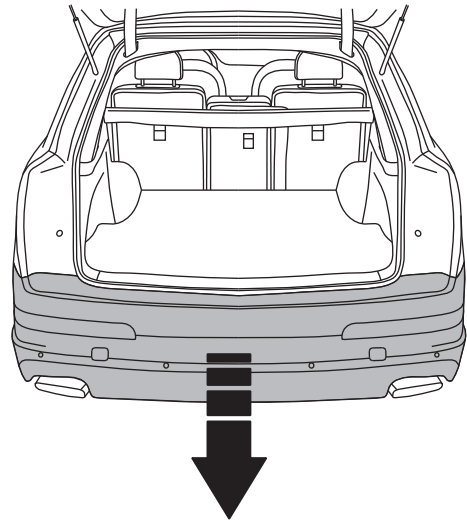


<b>1</b>		<b>x1</b>		<b>5</b> M12x75	<b>x1</b>
				<b>6</b> M12x70	<b>x1</b>
				<b>7</b> M12x1.5x40	<b>x8</b>
				<b>8</b> $\phi$ 13	<b>x2</b>
				<b>9</b> $\phi$ 37x $\phi$ 13x3 13 DIN 9021	<b>x8</b>
<b>2</b>		<b>x1</b> Art.nr-KL1A32		<b>10</b> $\phi$ 12.2	<b>x10</b>
<b>3</b>		<b>x1</b> Art.nr-BL1A32			
<b>4</b>		<b>x1</b>		<b>11</b> M12	<b>x2</b>

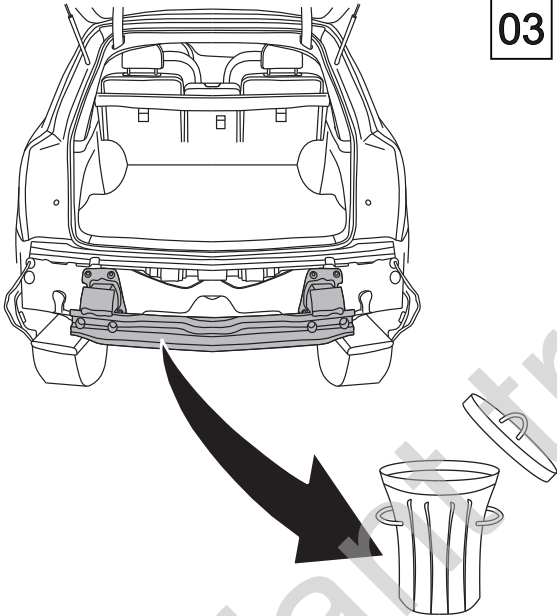
01



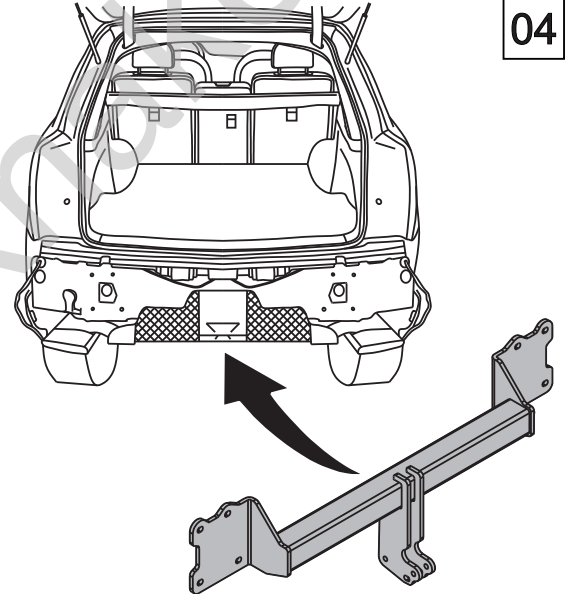
02



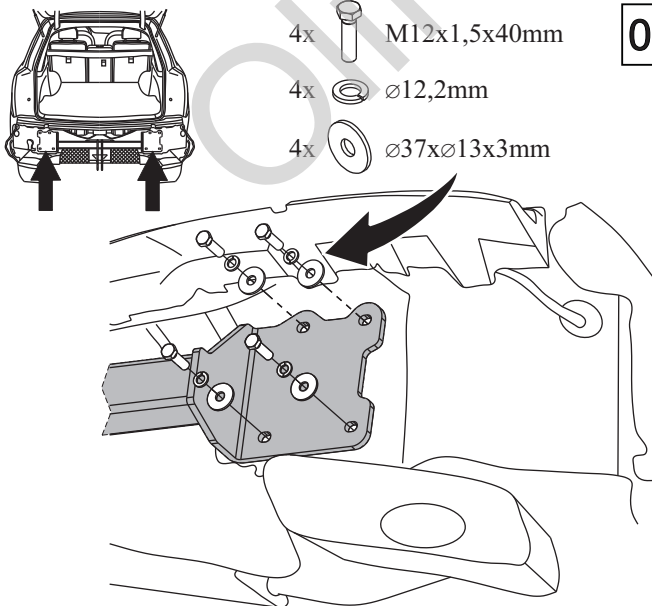
03



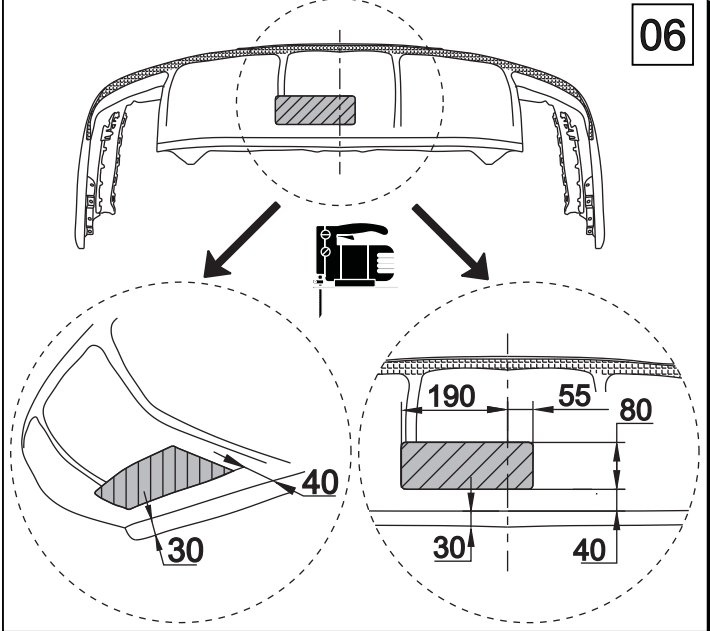
04



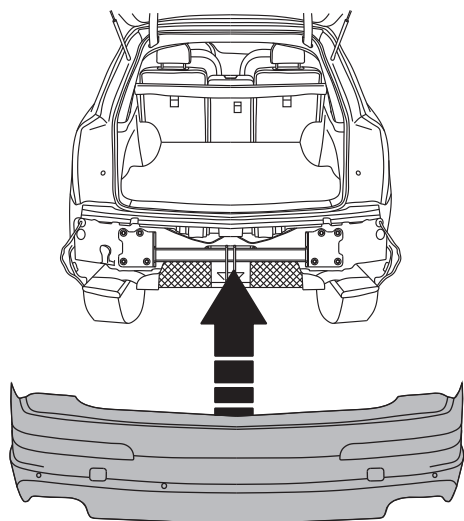
05



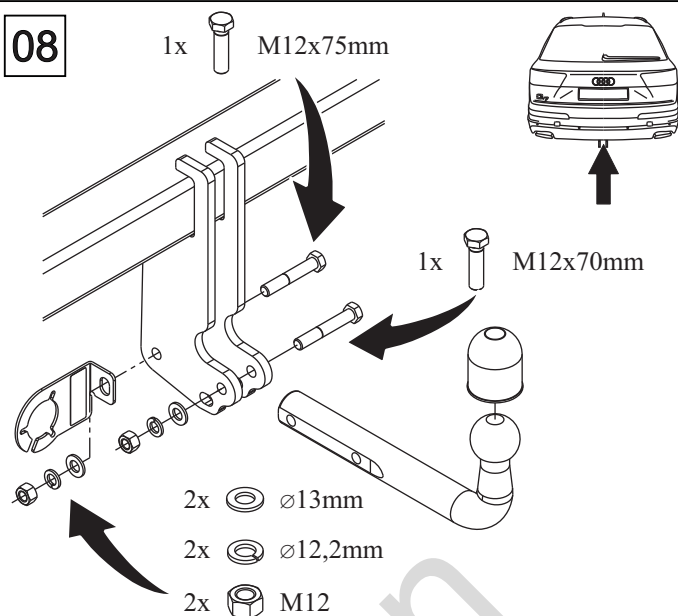
06



07



08



Olifant trekhaken