

AUTO-HAK Sp. z o.o.

ul. Słoneczna 16K 76-200 SŁUPSK
POLAND

tel/fax +48 59 8 414 414; +48 59 8 414 413

e-mail: office@autohak.com.pl

www.autohak.com.pl



AUTO-HAK



**AUDI Q3
+ S-line**

Cat. no:

A31



10.2011 → 11.2018



E20-55R-01 4462



1,5h



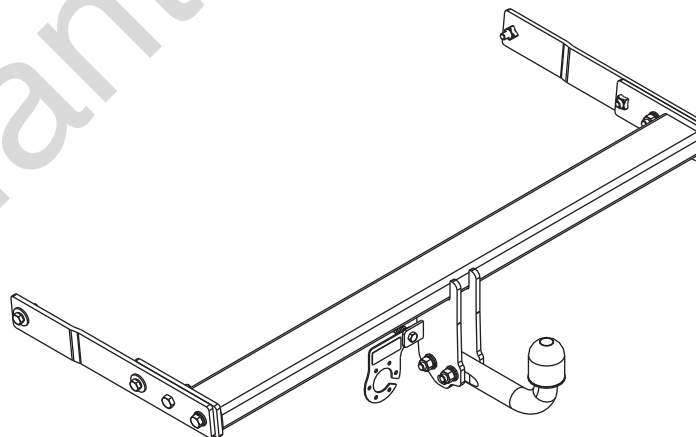
12,6 kN



R=2500 kg



S=140 kg



**M6 - 11 Nm
M10 - 50 Nm
M14 - 138 Nm**

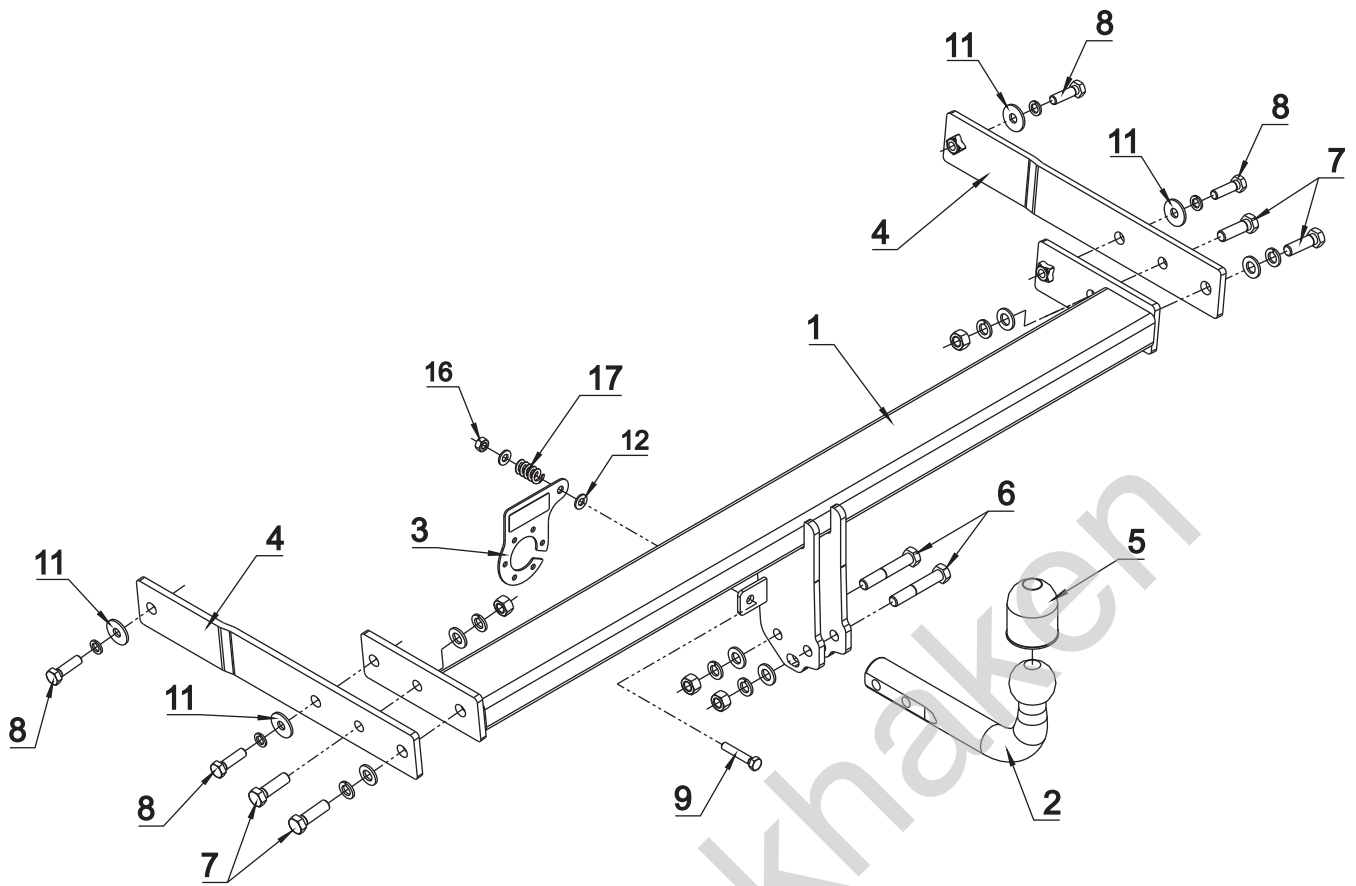
**M8 - 25 Nm
M12 - 87 Nm
M16 - 210 Nm**



0 km →



1000 km



| | | | | | | |
|---|--|----|--|----|---------------------------------|----|
| 1 | | x1 | | 6 | M12x70 | x2 |
| | | | | 7 | M12x40 | x4 |
| 2 | | x1 | | 8 | M10x35 | x4 |
| | | | | 9 | M8x45 | x1 |
| 3 | | x1 | | 10 | ∅ 13 | x6 |
| | | | | 11 | ∅ 30x∅10.5x2.5 10 (DIN 9021) | x4 |
| 4 | | x2 | | 12 | ∅ 8.4 | x2 |
| | | | | 13 | ∅ 12.2 | x6 |
| 5 | | x1 | | 14 | ∅ 10.2 | x4 |
| | | | | 15 | M12 | x4 |
| | | | | 16 | M8 | x1 |
| | | | | 17 | | x1 |

