

# AUTO-HAK Sp. z o.o.

ul. Słoneczna 16K 76-200 SŁUPSK  
POLAND

tel/fax +48 59 8 414 414; +48 59 8 414 413

e-mail: [office@autohak.com.pl](mailto:office@autohak.com.pl)

[www.autohak.com.pl](http://www.autohak.com.pl)



# AUTO-HAK

## AUDI A6

4D, Quattro (4G, C7), +S-line, ~~RS6~~

04.2011 → 09.2014

10.2014 → 05.2018

## AUDI A6 AVANT

Kombi, Quattro (4G, C7), +S-line, ~~RS6~~

09.2011 → 09.2014

10.2014 → 05.2018

## AUDI A7 Sportback

5D, Quattro, +S-line, ~~RS~~

09.2010 → 09.2014

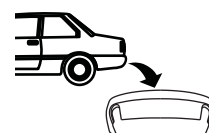
10.2014 → 04.2018

Cat. no:

**A30A**



**1h**



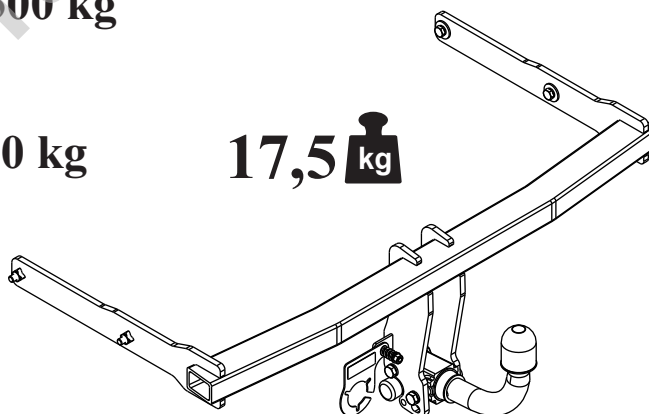
**E20** E20-55R-01 3684

**D** 12,6 kN

**R=2500 kg**

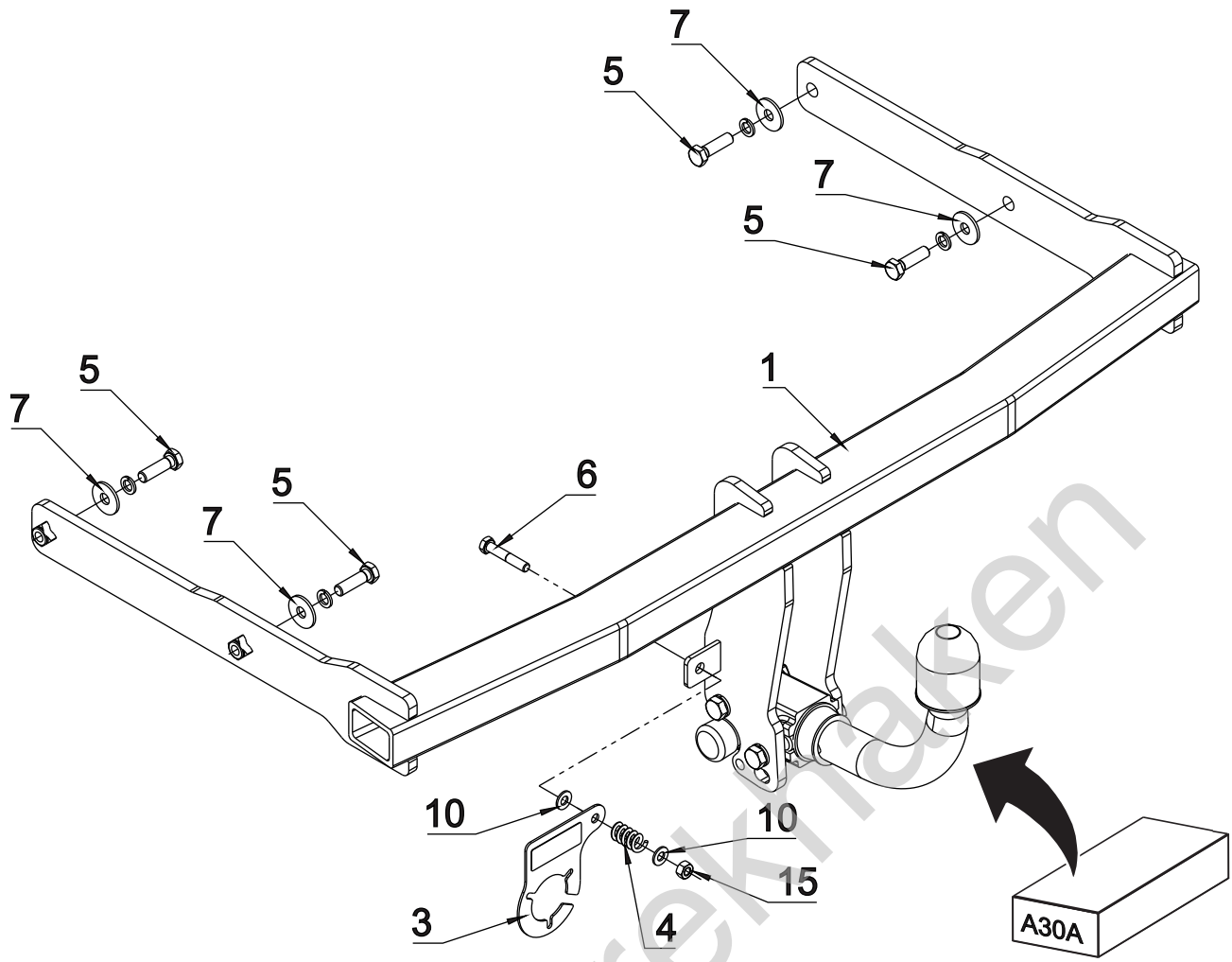
**S=100 kg**

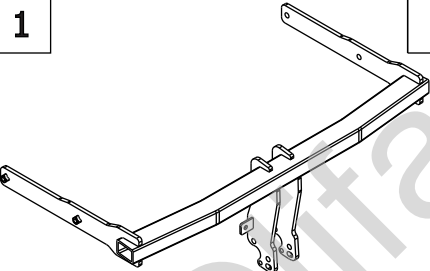




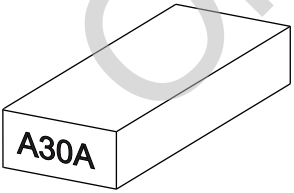

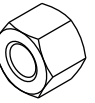

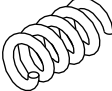
**17,5 kg**



śruba	Nm	M6	M8	M10	M12	M14	M16
klasa 8.8		9,9	24	48	83	132	200
klasa 10.9		14	34	67	117	185	285

0 km → 1000 km



	<b>1</b>	<b>x 1</b>		<b>5</b> M10x35	<b>x 4</b>
				<b>6</b> M8x45	<b>x 1</b>
				<b>7</b> $\phi$ 30x $\phi$ 10.5x2.5 10 DIN 9021	<b>x 4</b>
				<b>8</b> $\phi$ 8.5	<b>x 2</b>
	<b>2</b>	<b>x 1</b>		<b>9</b> $\phi$ 10.2	<b>x 4</b>
		Art.nr-KL1A30A		<b>10</b> M8	<b>x 1</b>
		<b>x 1</b>		Art.nr-BL1A30A	
		<b>x 1</b>			

