

# AUTO-HAK Sp. z o.o.

ul. Słoneczna 16K 76-200 SŁUPSK  
POLAND

tel/fax +48 59 8 414 414; +48 59 8 414 413

e-mail: [office@autohak.com.pl](mailto:office@autohak.com.pl)

[www.autohak.com.pl](http://www.autohak.com.pl)



# AUTO-HAK



## AUDI A6 ALLROAD Combi, Quattro

Cat. no:

**A28A**



05.2006 → 04.2012

e20

e20\*94/20\*1550\*00



2h

D

12,1 kN



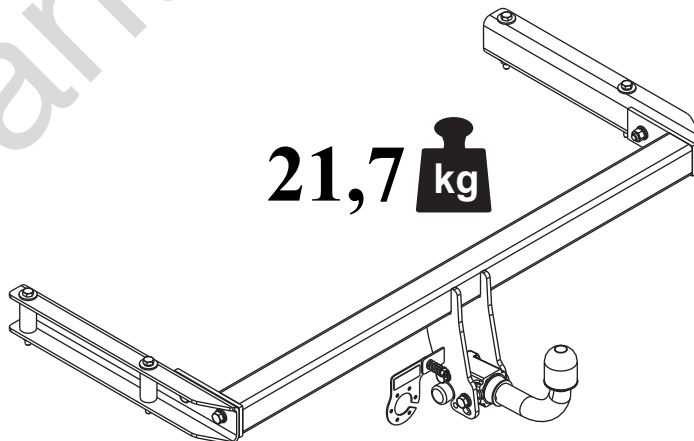
R=2427 kg



S=90 kg



21,7 kg



M6 - 11 Nm  
M10 - 50 Nm  
M14 - 138 Nm

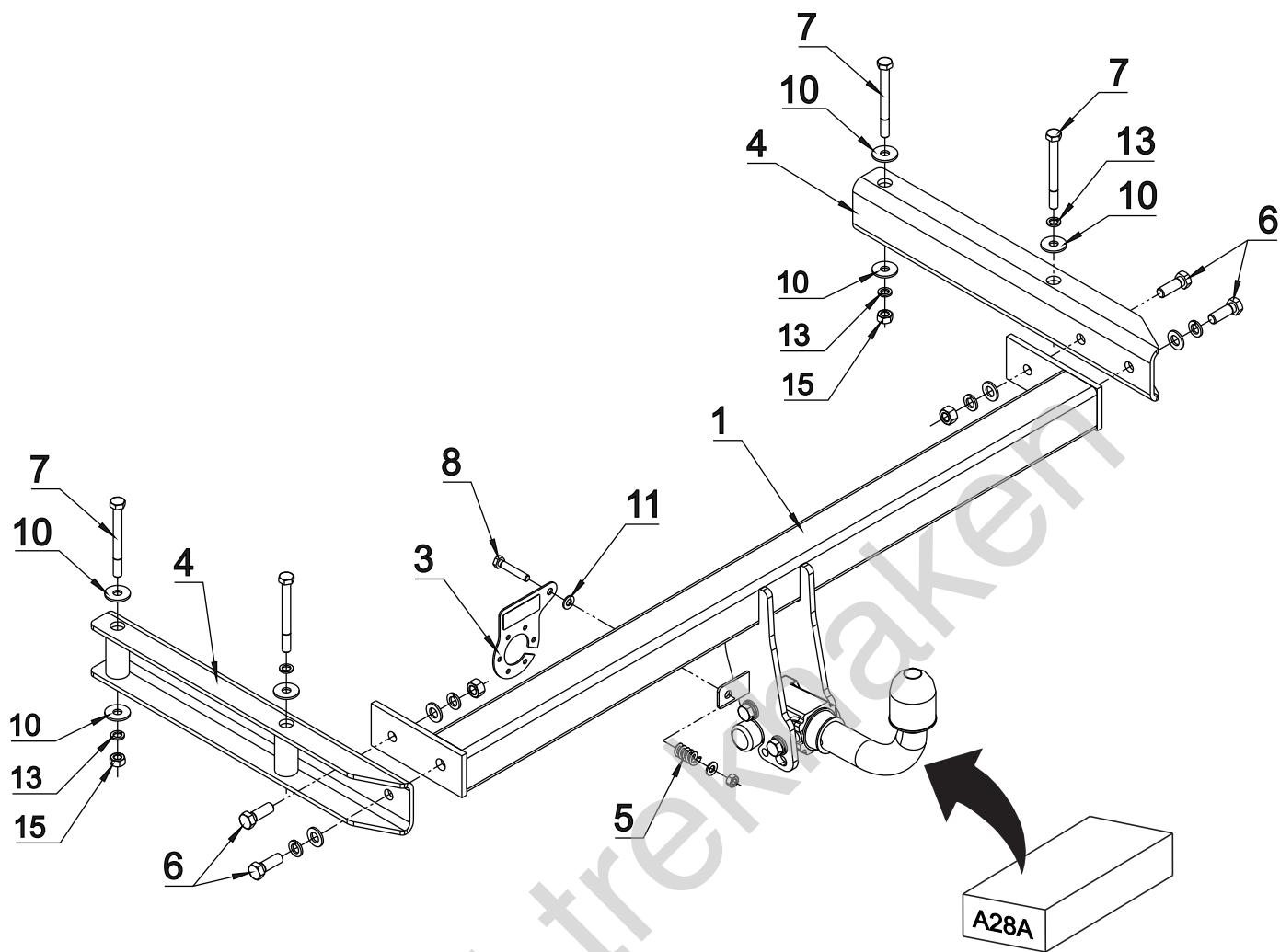
M8 - 25 Nm  
M12 - 87 Nm  
M16 - 210 Nm

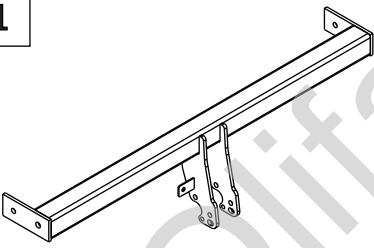
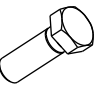
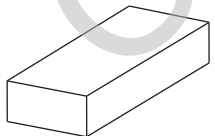

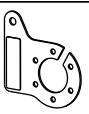

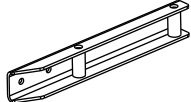

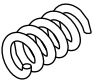
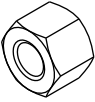


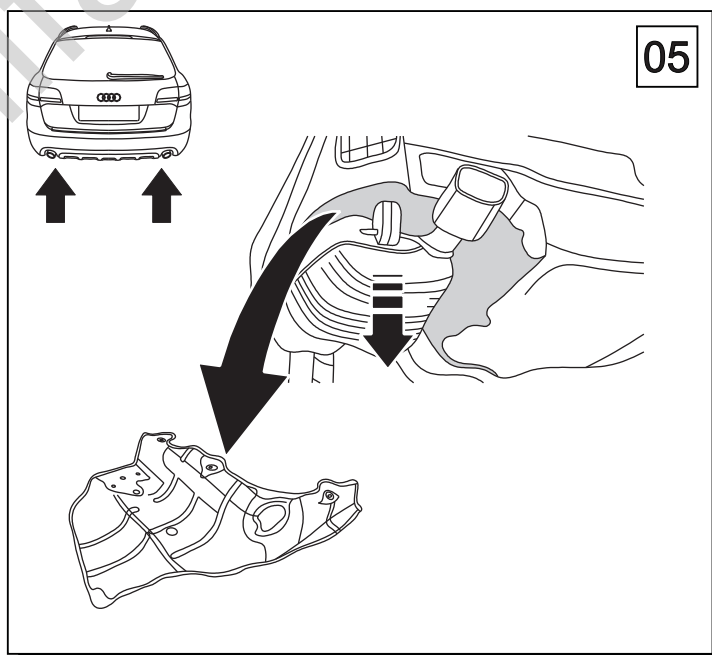
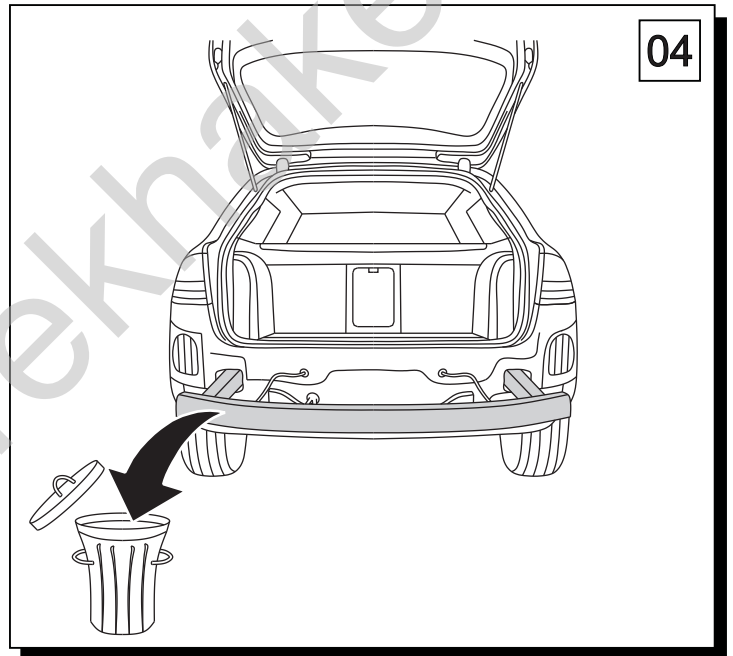
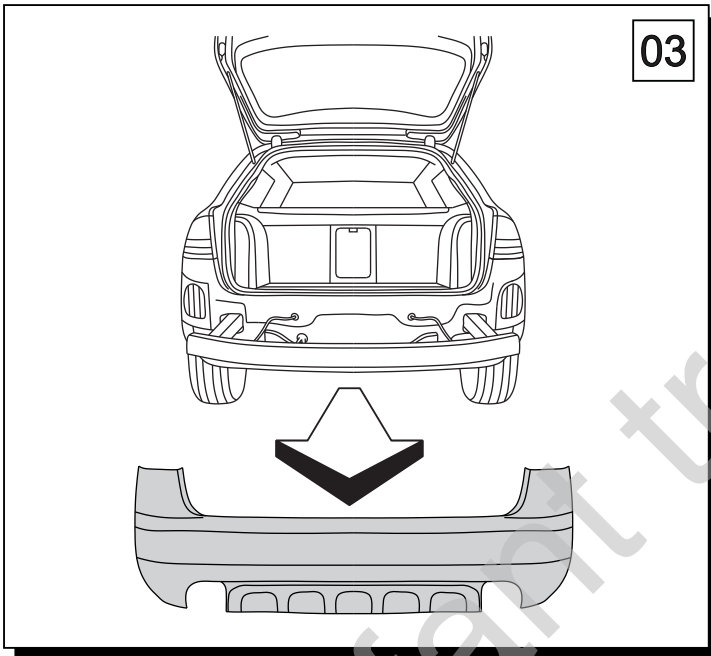
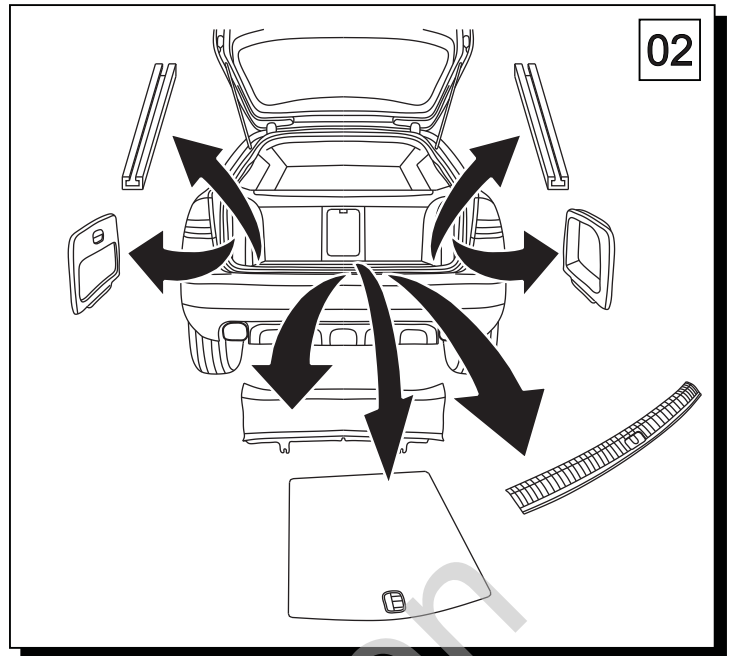
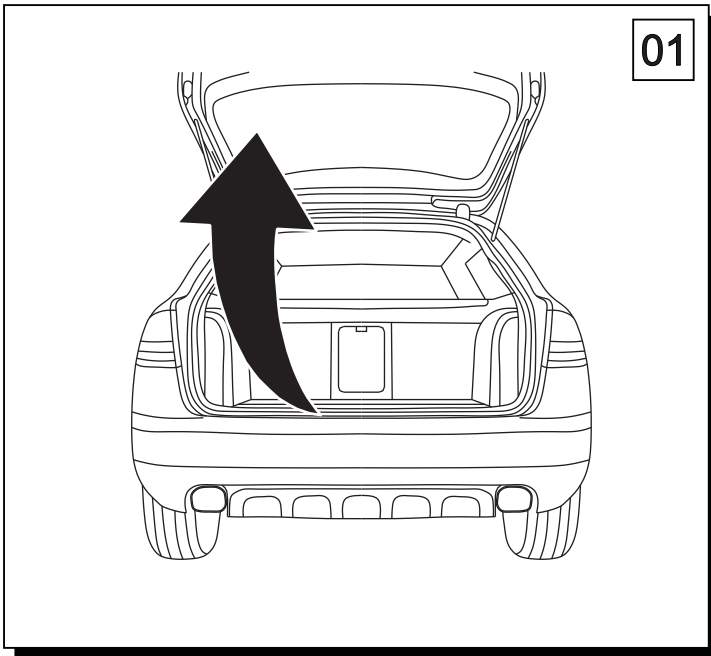
0 km →



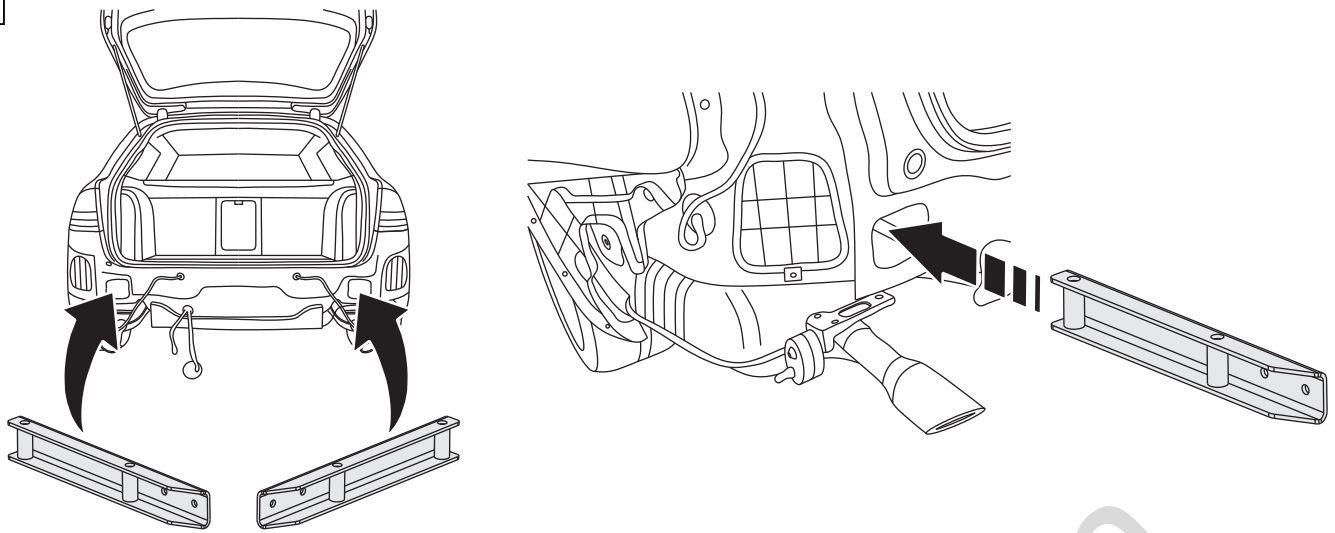
1000 km



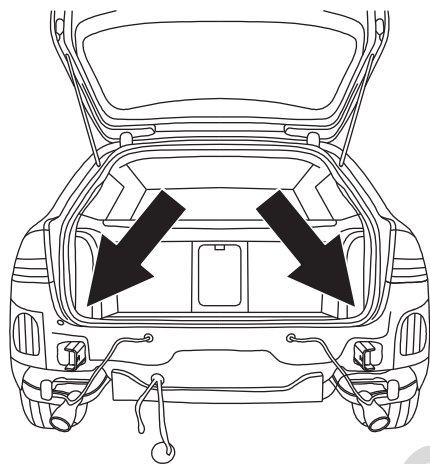
1		x1		6	M12x35	x4
				7	M10x100	x4
2		x1		8	M8x45	x1
				9	ø 13	x4
3		x1		10	ø 30xø10.5x2.5 10 (DIN 9021)	x6
				11	ø 8.4	x2
4		x2		12	ø 12.2	x4
				13	ø 10.2	x4
5		x1		14	M12	x2
				15	M10	x2
				16	M8	x1



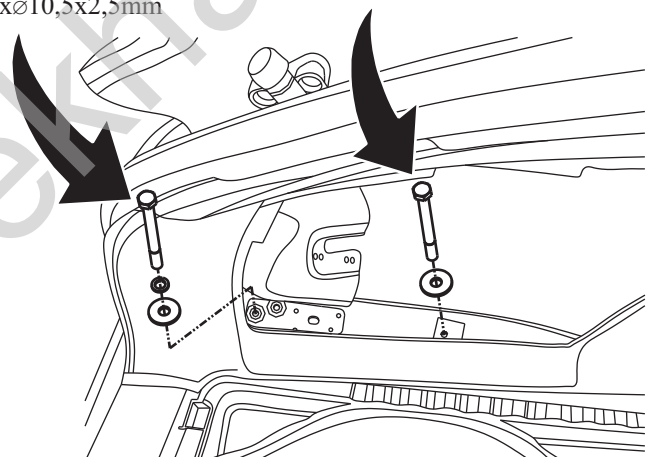
06



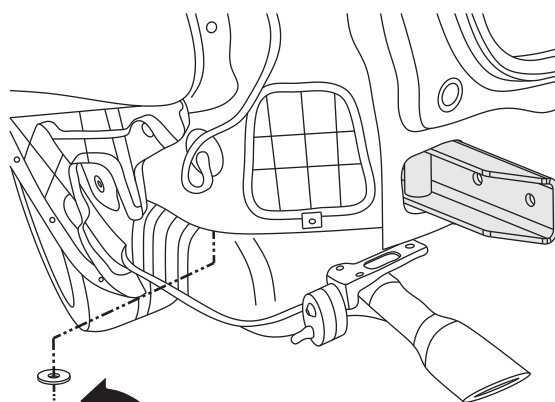
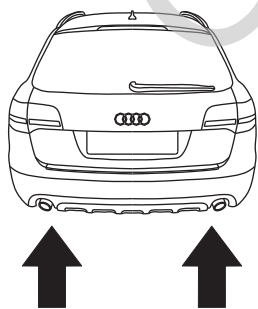
07






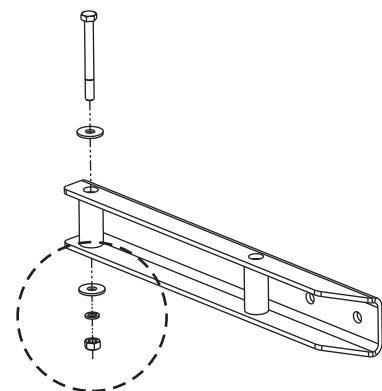
- 1x  M10x100mm
- 1x   $\varnothing 10,2\text{mm}$
- 1x   $\varnothing 30 \times 10,5 \times 2,5\text{mm}$
- 1x  M10x100mm
- 1x   $\varnothing 30 \times 10,5 \times 2,5\text{mm}$

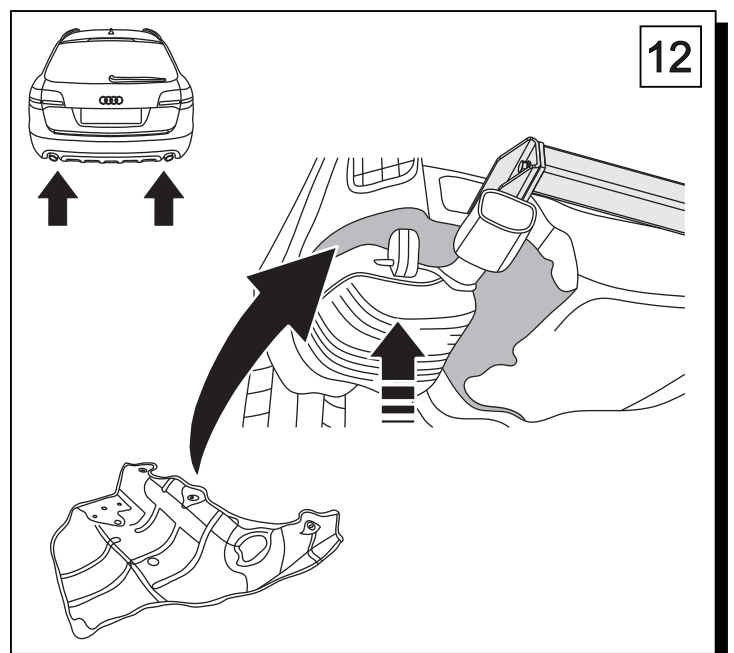
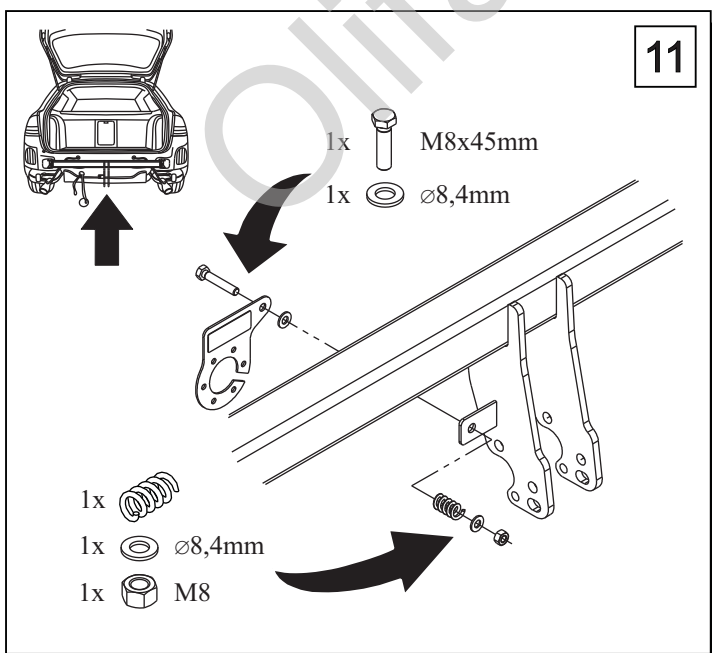
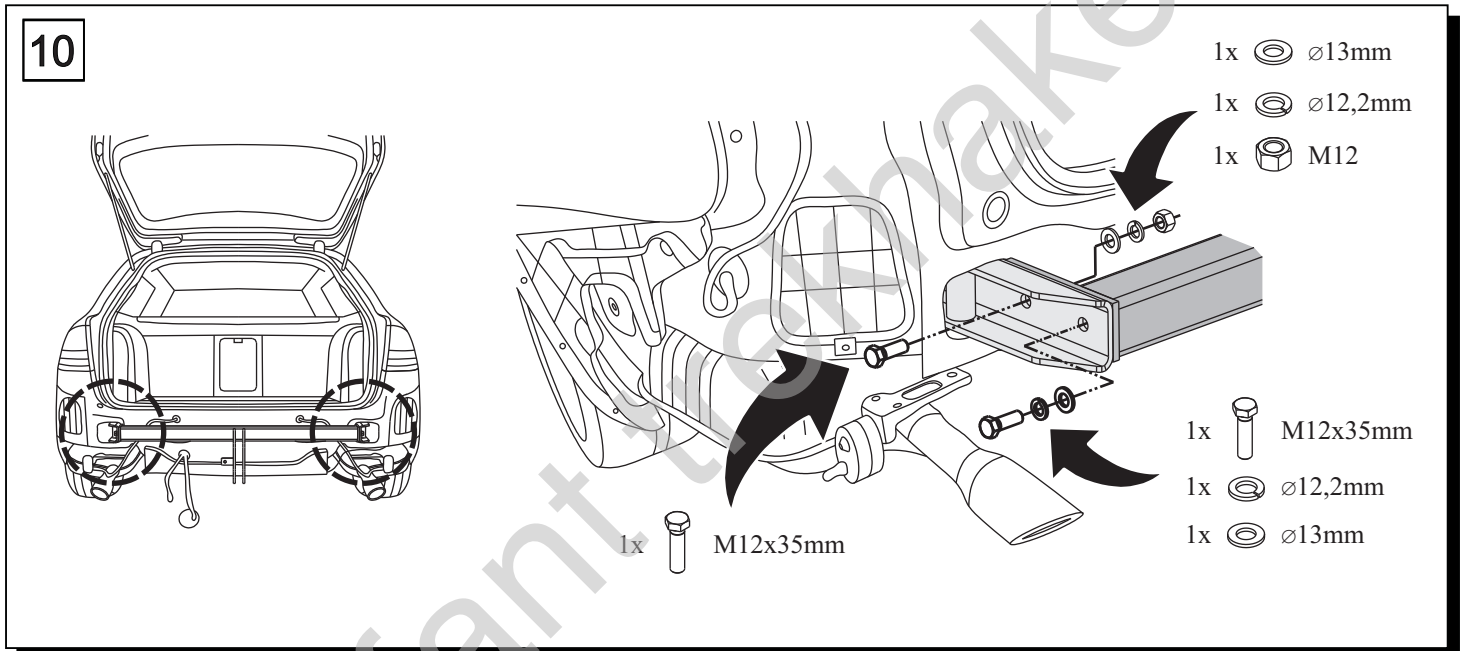
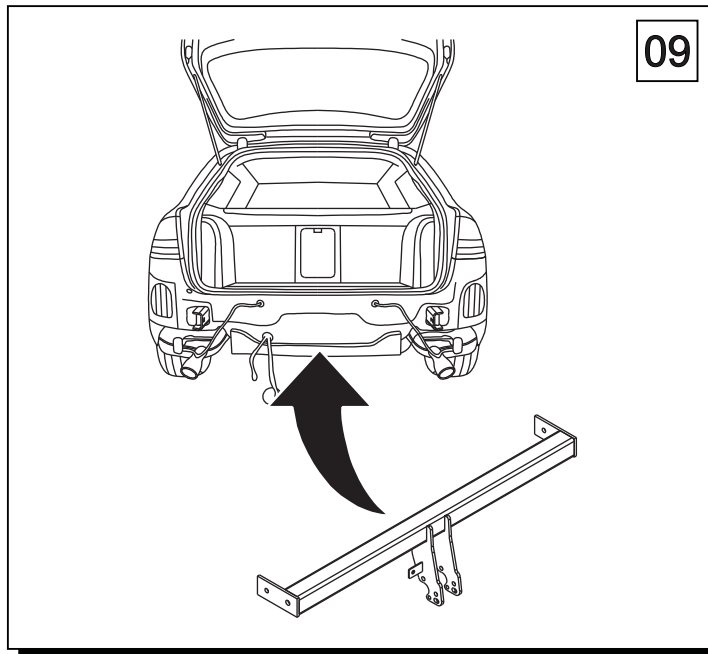


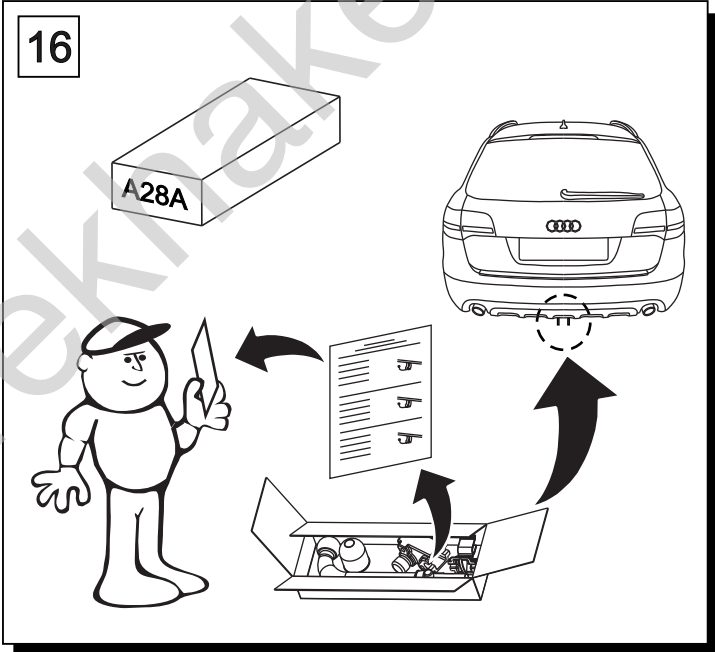
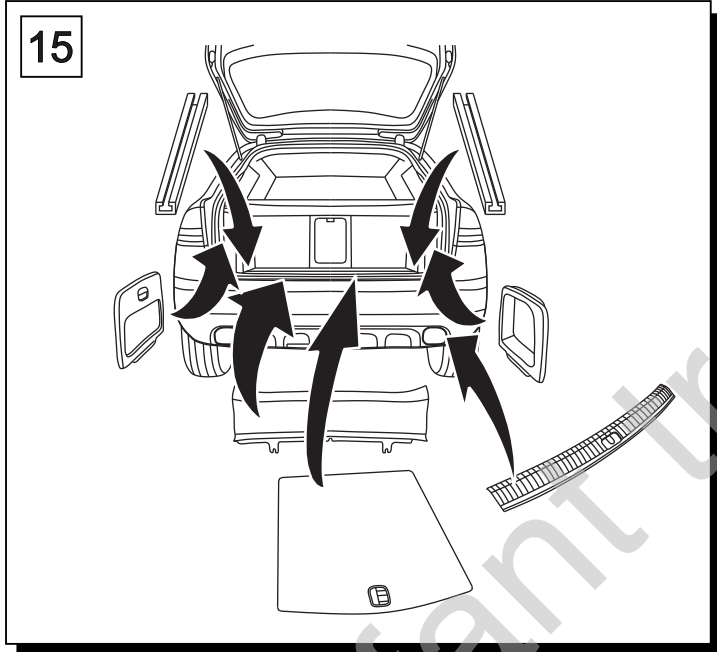
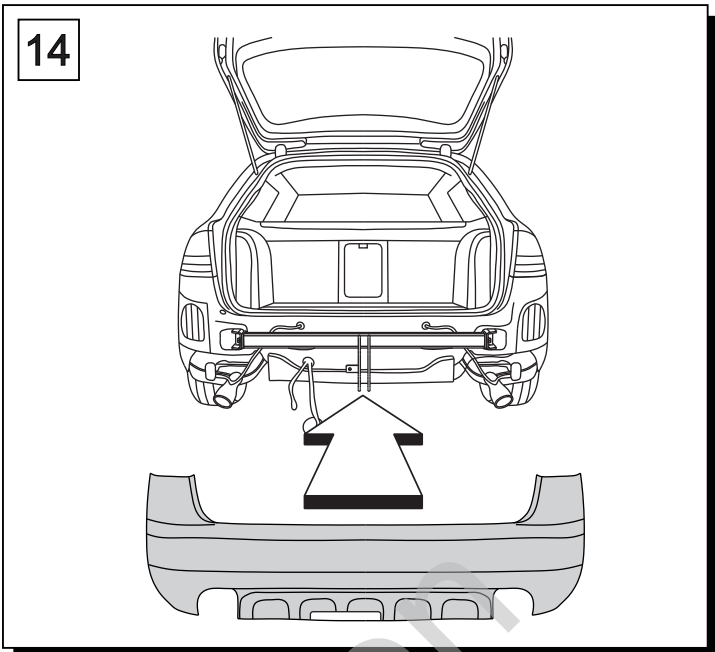
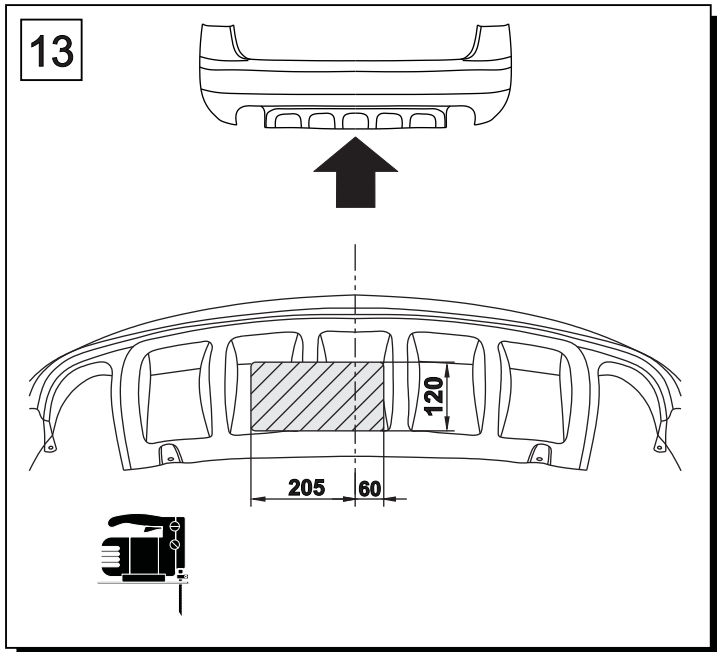
08






- 1x   $\varnothing 30 \times 10,5 \times 2,5\text{mm}$
- 1x   $\varnothing 10,2\text{mm}$
- 1x  M10







	<b>M6</b> - 11 Nm	<b>M8</b> - 25 Nm
	<b>M10</b> - 50 Nm	<b>M12</b> - 87 Nm
	<b>M14</b> - 138 Nm	<b>M16</b> - 210 Nm

 **0 km** →  **1000 km**