

AUTO-HAK Sp. z o.o.

ul. Słoneczna 16K 76-200 SŁUPSK
POLAND

tel/fax +48 59 8 414 414; +48 59 8 414 413

e-mail: office@autohak.com.pl

www.autohak.com.pl



AUTO-HAK



AUDI A6 ALLROAD Combi, Quattro

Cat. no:

A28



05.2006 → 04.2012

e20

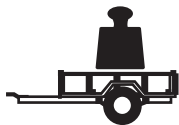
e20*94/20*1549*00



2h

D

12,1 kN



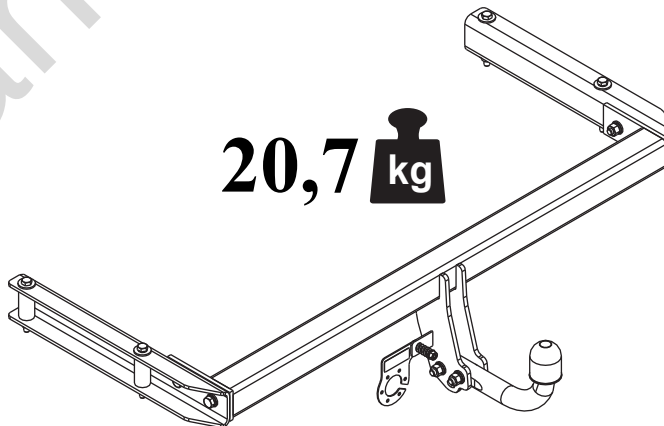
R=2427 kg



S=90 kg



20,7 kg



M6 - 11 Nm
M10 - 50 Nm
M14 - 138 Nm

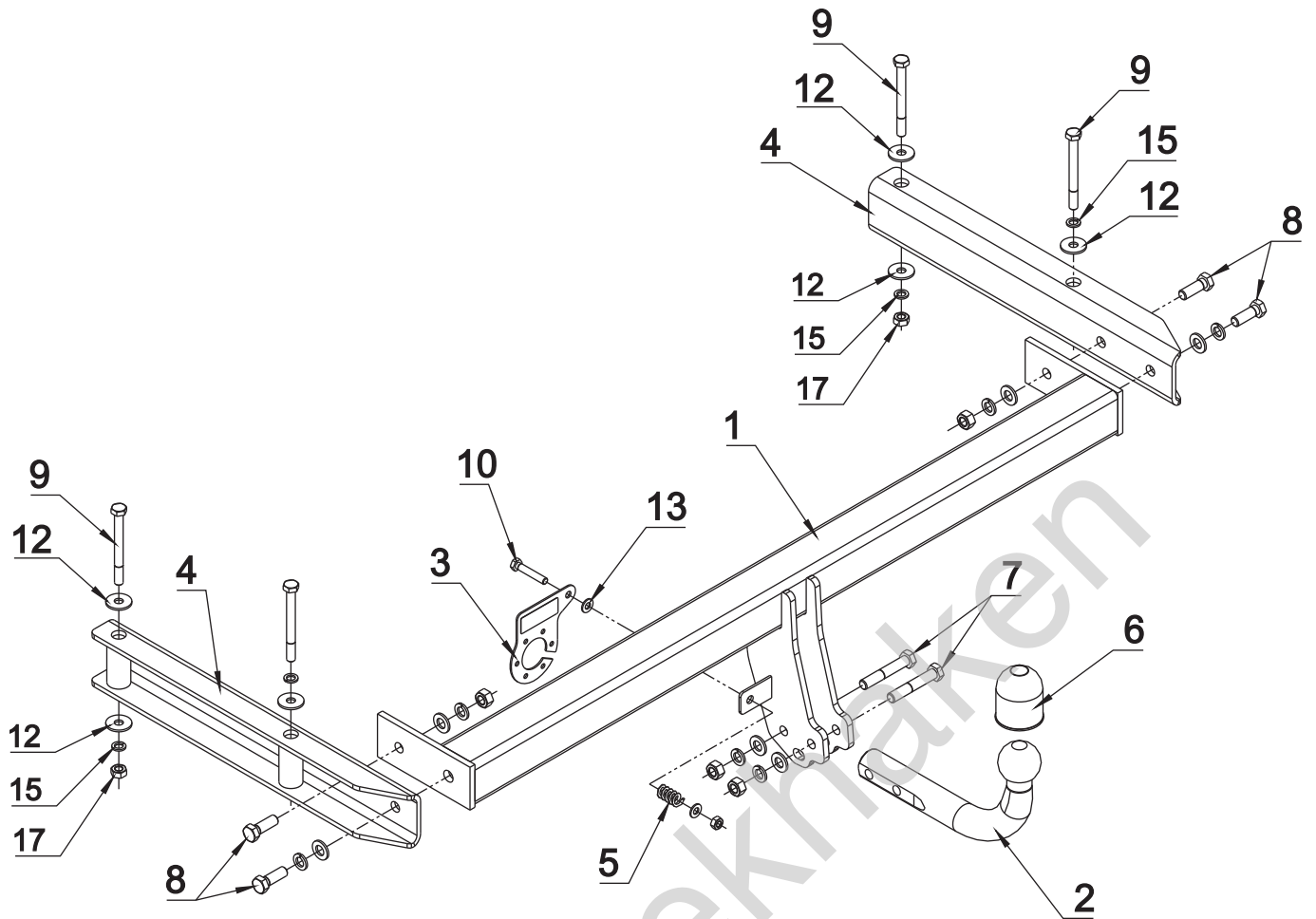
M8 - 25 Nm
M12 - 87 Nm
M16 - 210 Nm

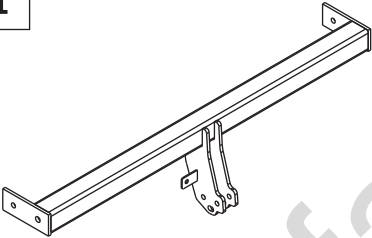

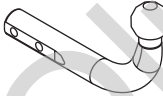

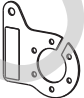
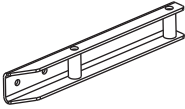

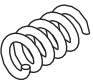


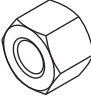


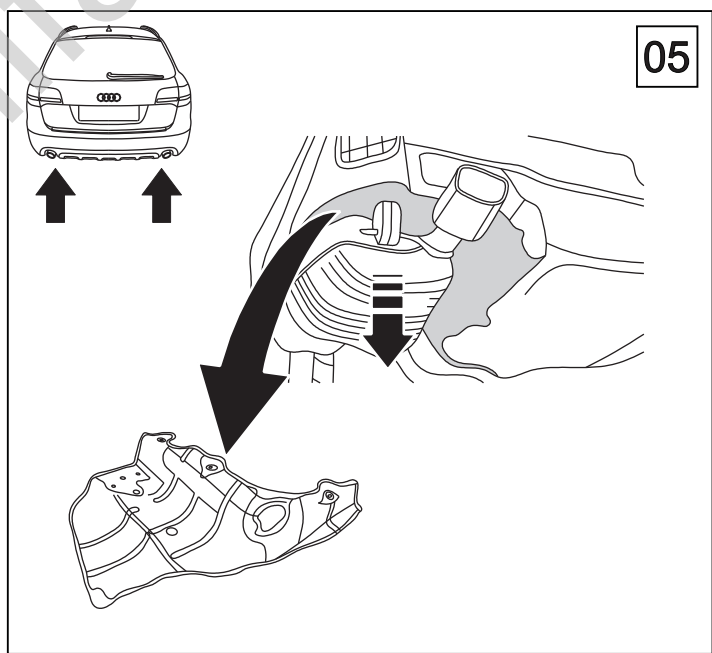
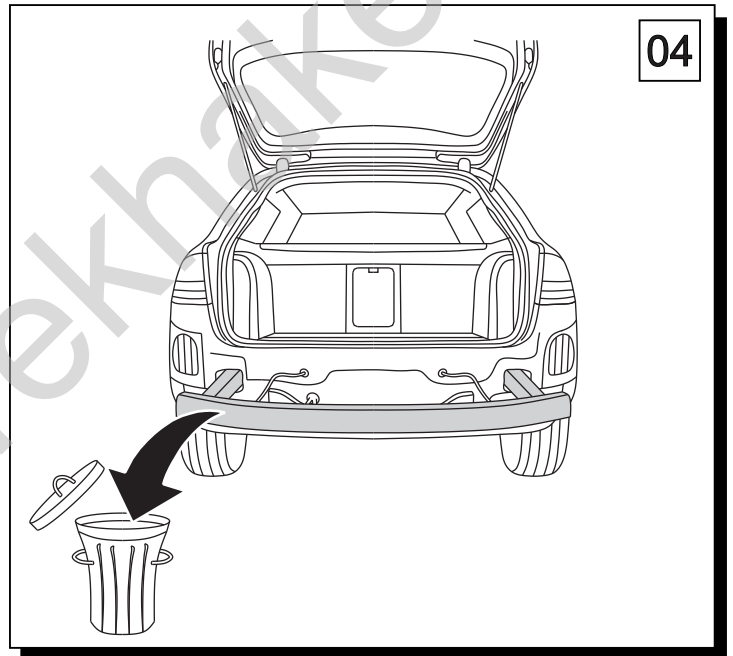
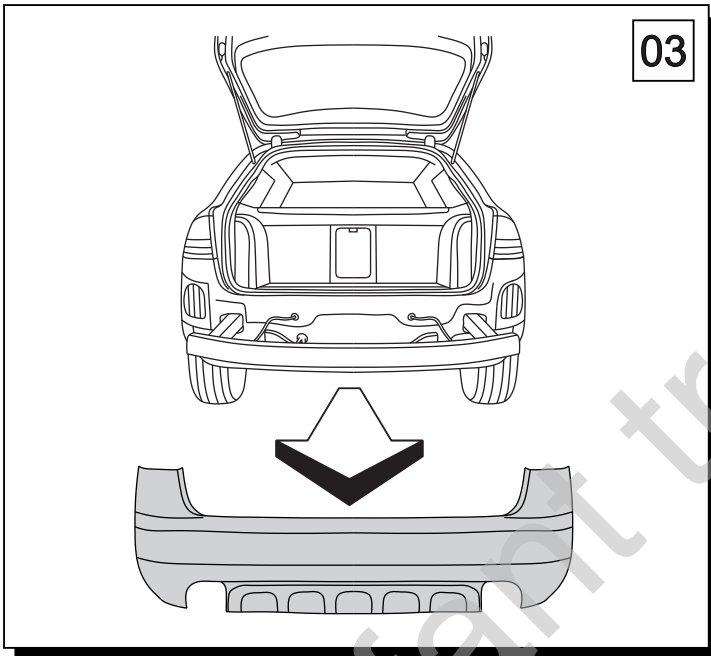
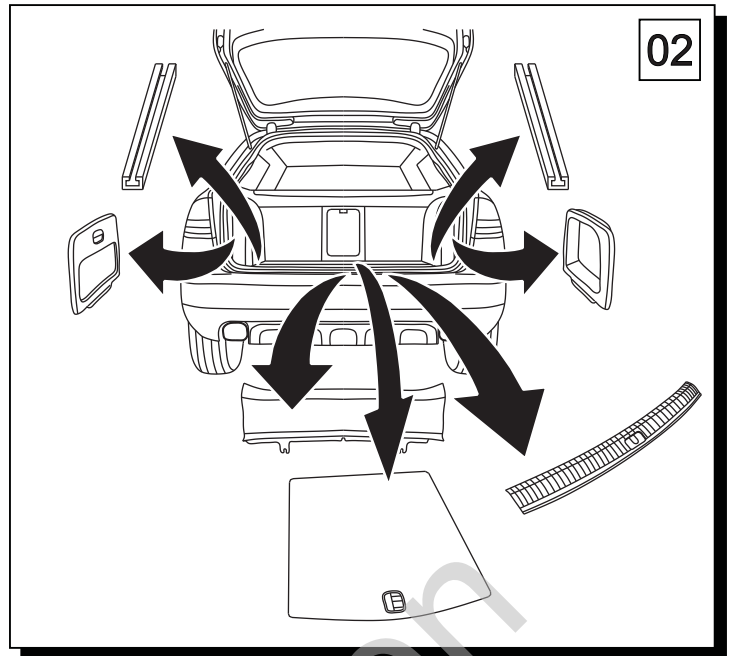
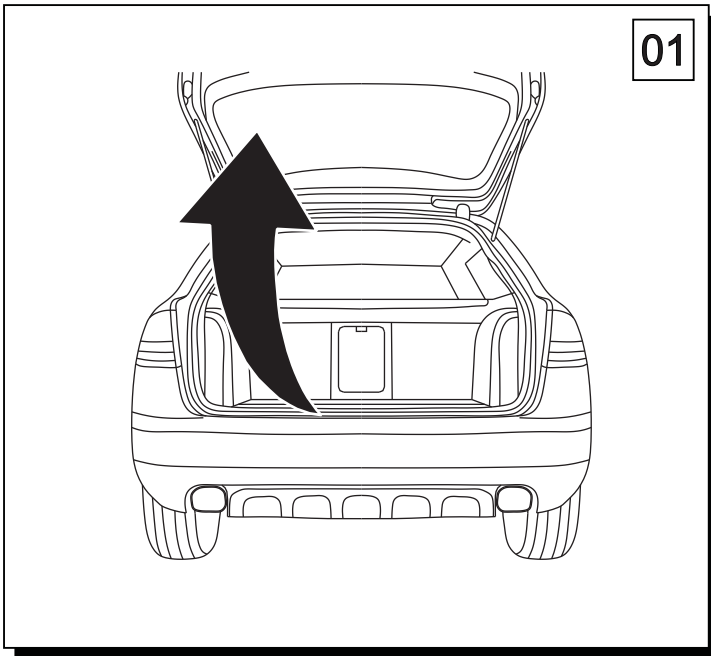
0 km →



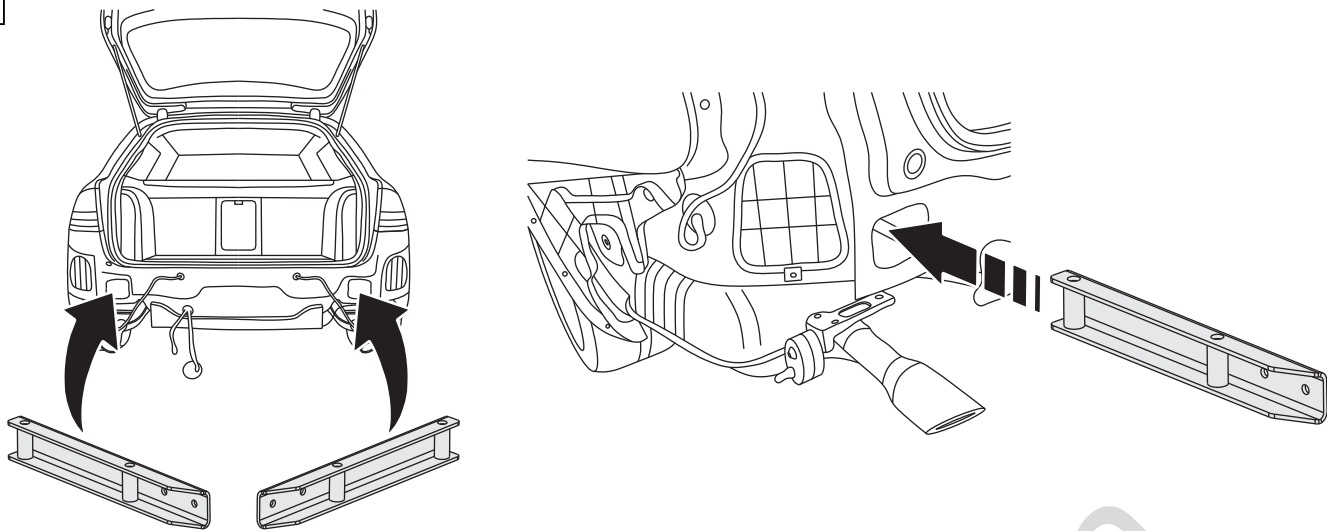
1000 km



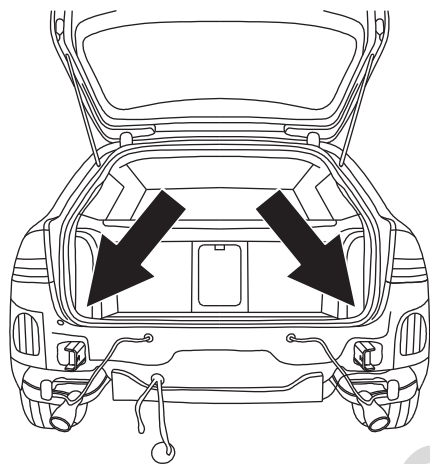
1		x1		7	M12x70	x2
2		x1		8	M12x35	x4
	Art.nr-KL1A28			9	M10x100	x4
3		x1		10	M8x45	x1
	Art.nr-BL1A28			11	∅ 13	x6
4		x2		12	∅ 30x∅10.5x2.5 10 (DIN 9021)	x6
5		x1		13	∅ 8.4	x2
6		x1		14	∅ 12.2	x6
				15	∅ 10.2	x4
				16	M12	x4
				17	M10	x2
				18	M8	x1



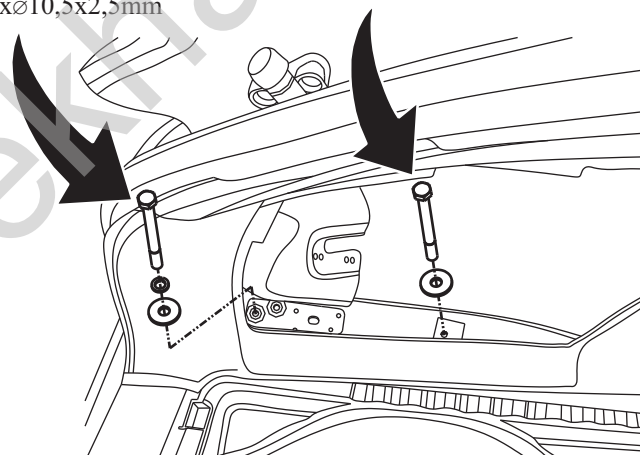
06



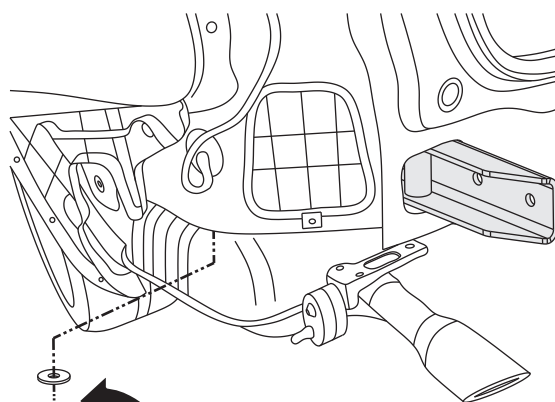
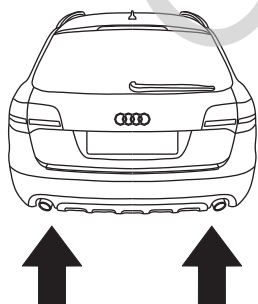
07






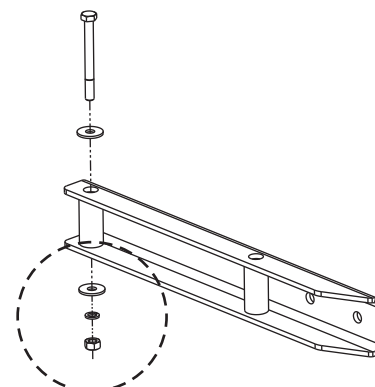
- 1x  M10x100mm
- 1x  $\varnothing 10,2\text{mm}$
- 1x  $\varnothing 30 \times 10,5 \times 2,5\text{mm}$
- 1x  M10x100mm
- 1x  $\varnothing 30 \times 10,5 \times 2,5\text{mm}$

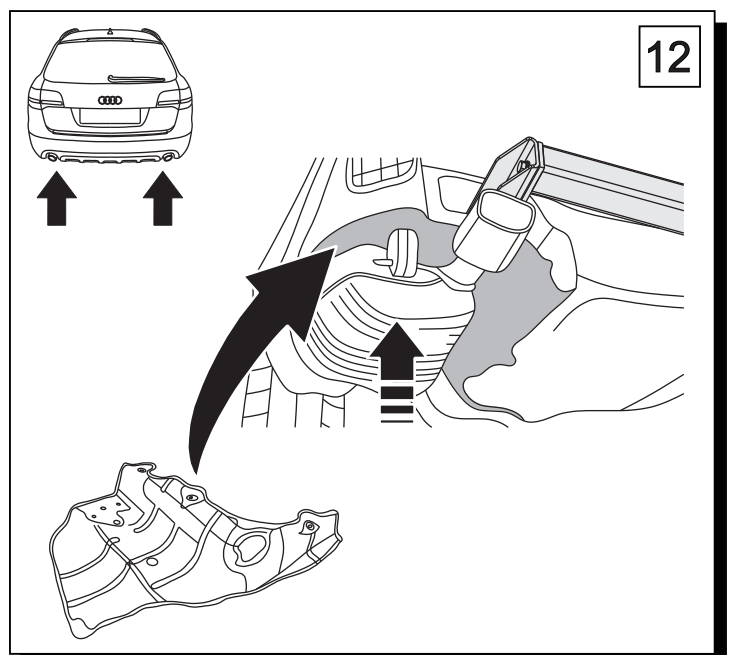
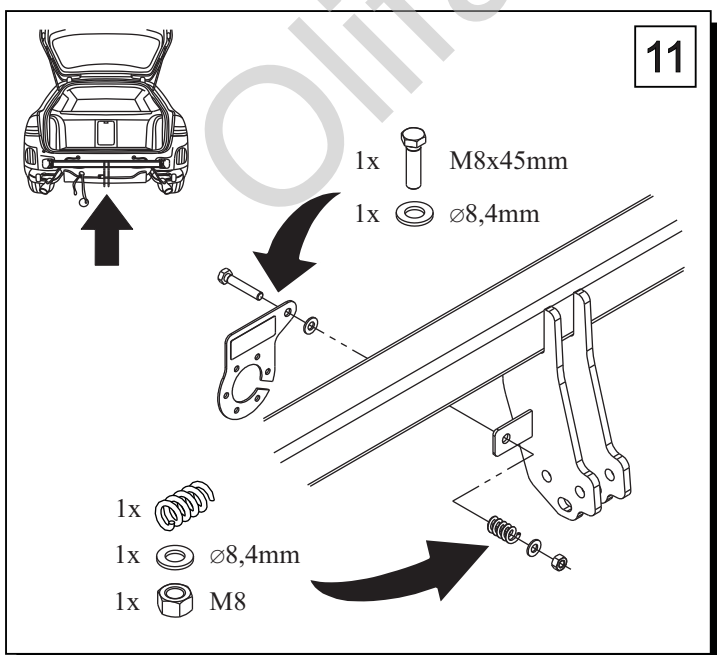
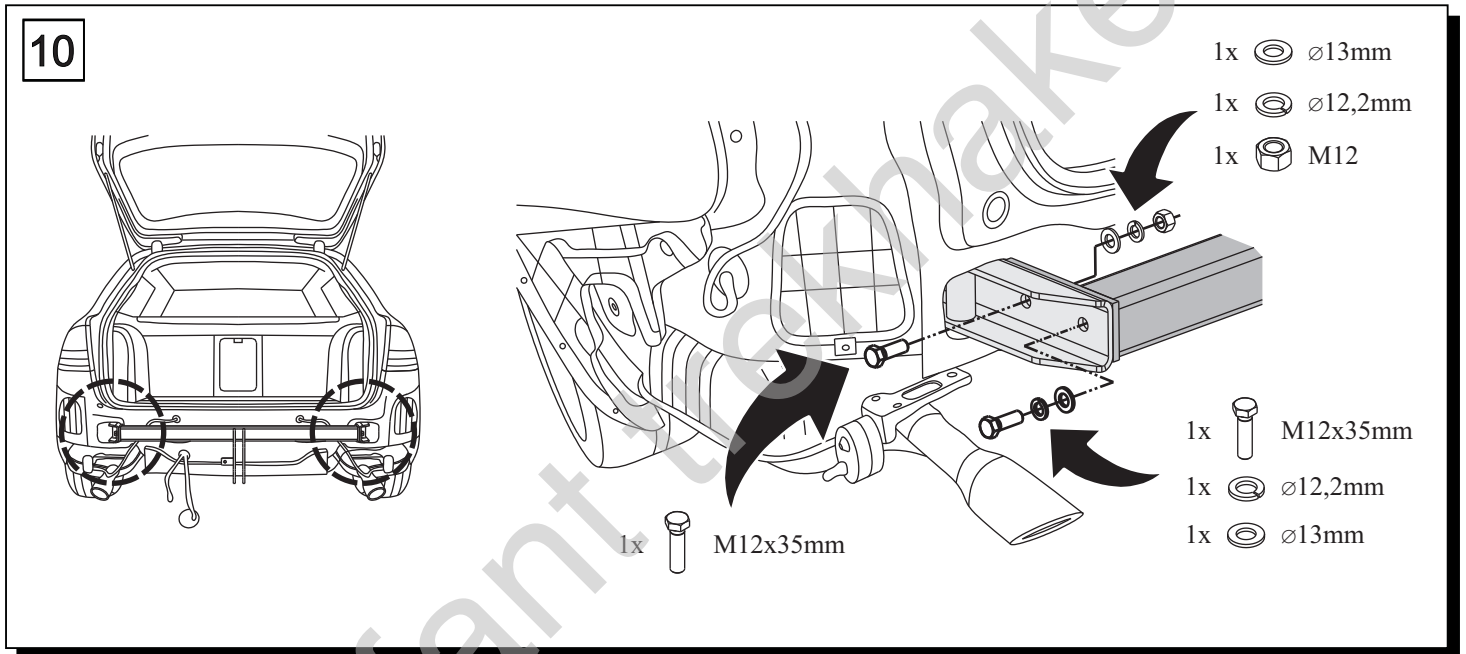
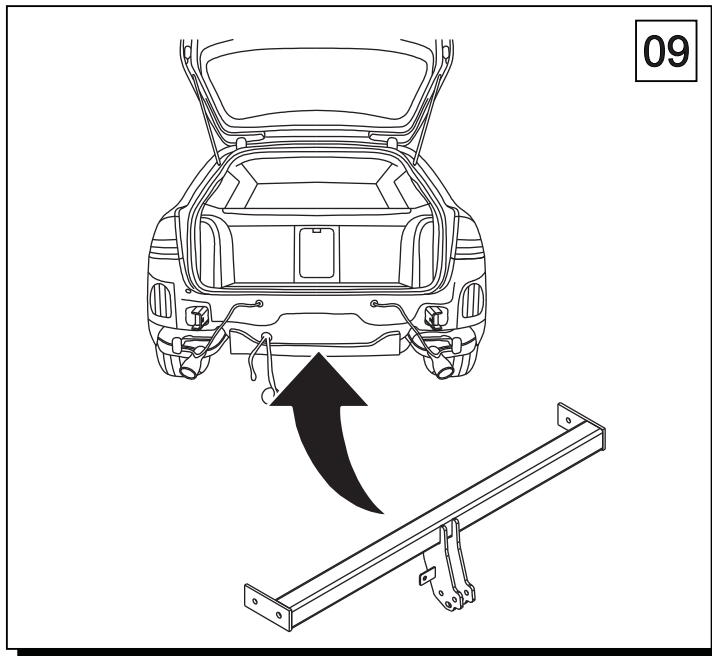


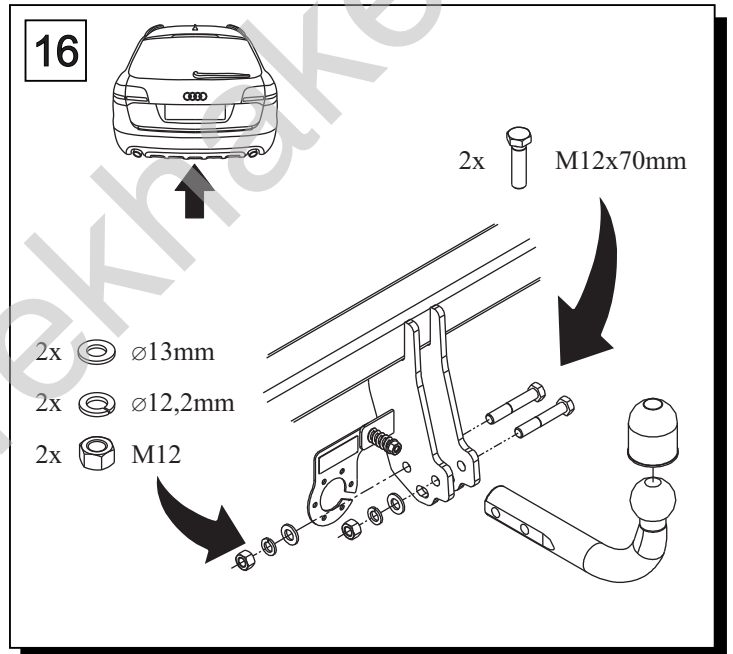
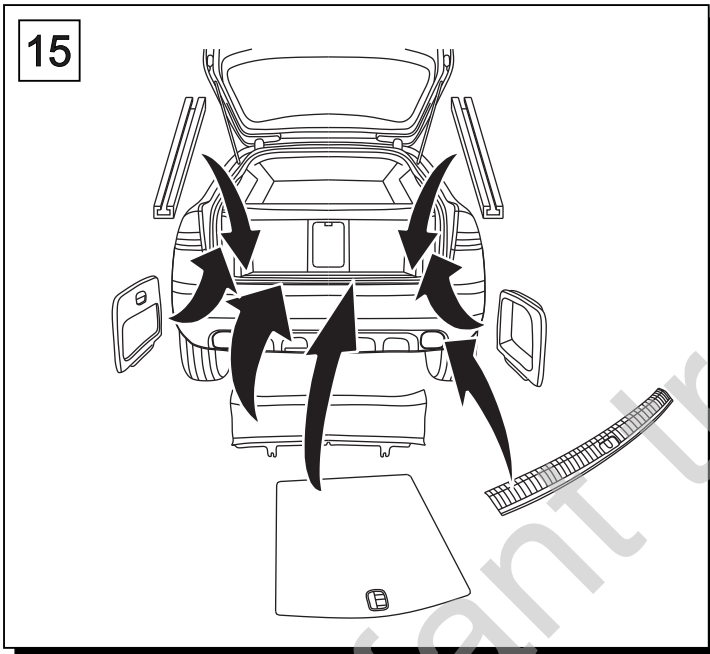
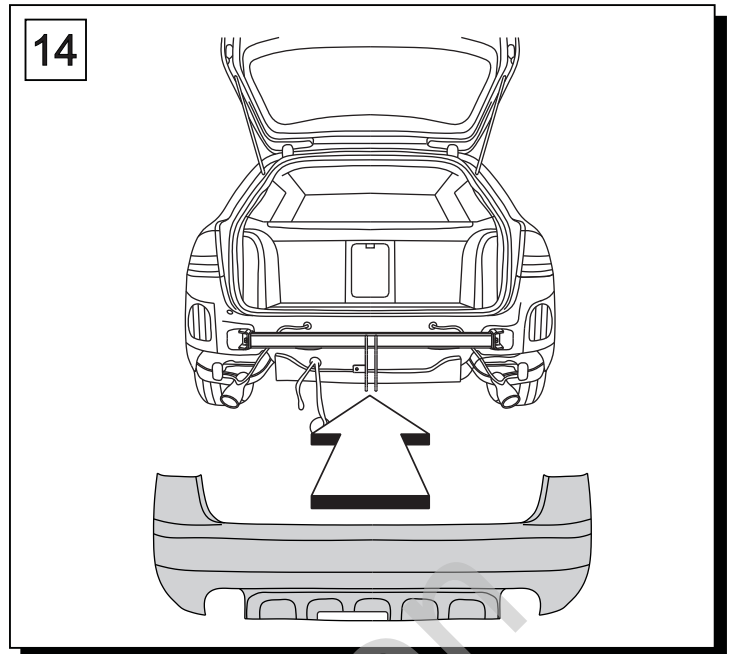
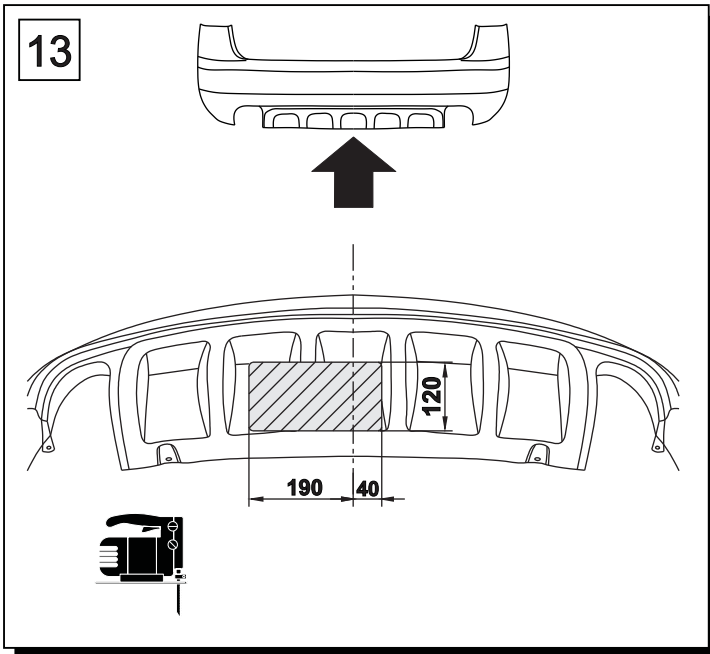

08





- 1x  $\varnothing 30 \times 10,5 \times 2,5\text{mm}$
- 1x  $\varnothing 10,2\text{mm}$
- 1x  M10





M6	-	11 Nm	M8	-	25 Nm
M10	-	50 Nm	M12	-	87 Nm
M14	-	138 Nm	M16	-	210 Nm

 **0 km** →  **1000 km**