

AUTO-HAK Sp. z o.o.

ul. Słoneczna 16K 76-200 SŁUPSK
POLAND

tel/fax +48 59 8 414 414; +48 59 8 414 413

e-mail: office@autohak.com.pl

www.autohak.com.pl



AUTO-HAK



AUDI A8

4D, QUATTRO, (S8)

Cat. no:

A27A



10.2002 → 02.2010

e20

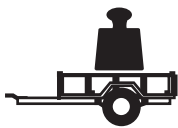
e20*94/20*1482*00



3h

D

12,5 kN



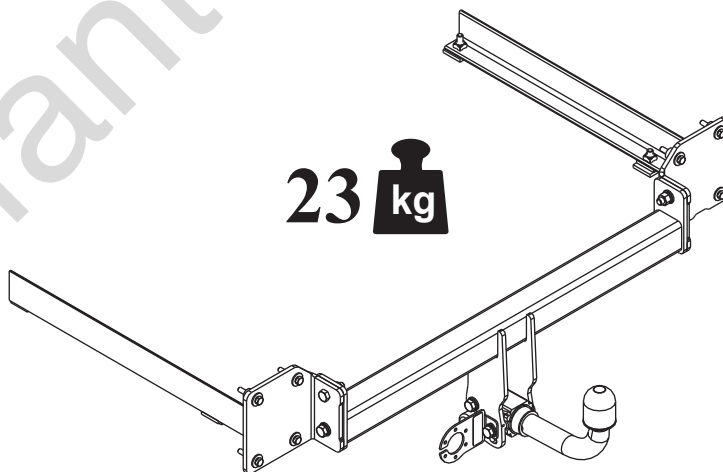
R=2430 kg



S=95 kg



23 kg



M6 - 11 Nm
M10 - 50 Nm
M14 - 138 Nm

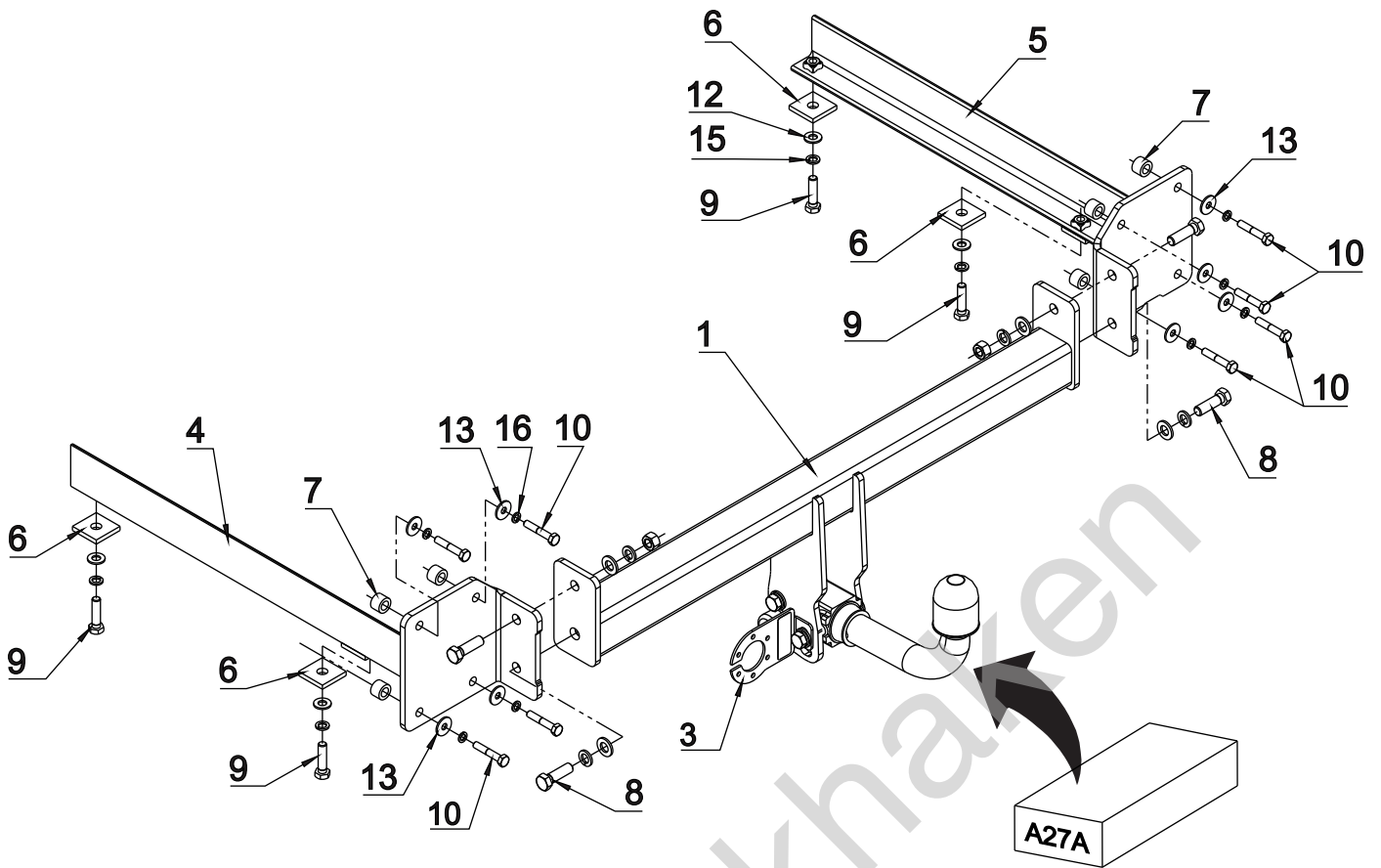
M8 - 25 Nm
M12 - 87 Nm
M16 - 210 Nm

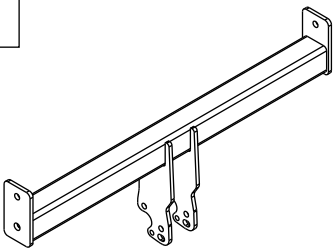

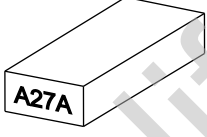

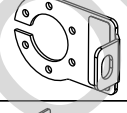

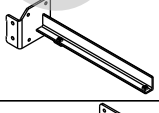

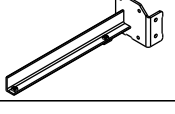
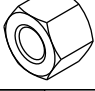
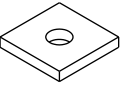
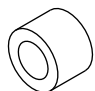


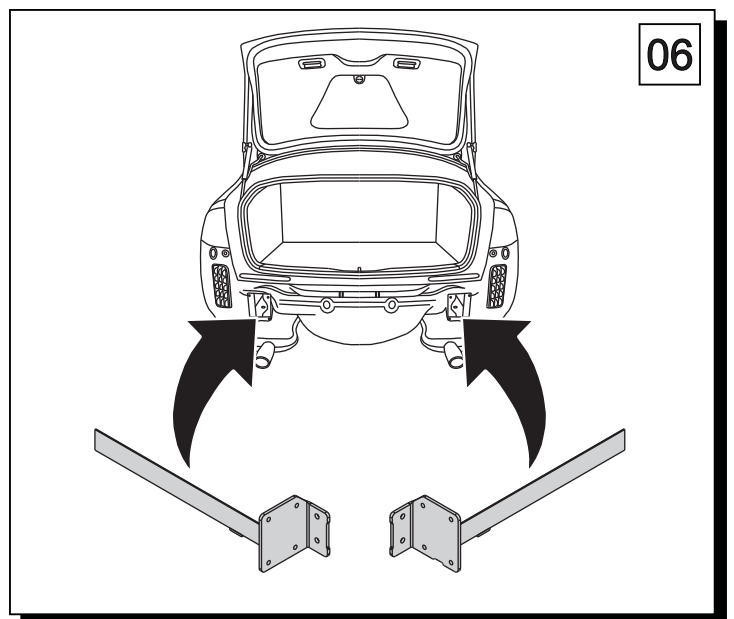
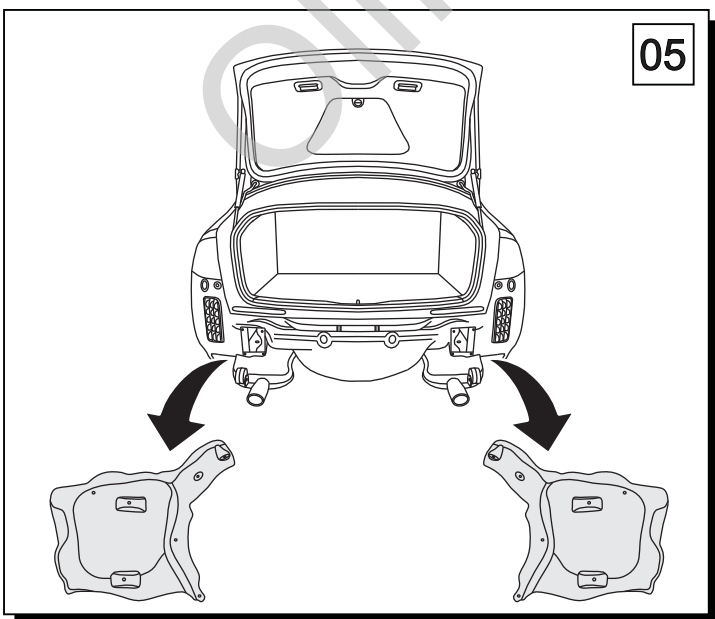
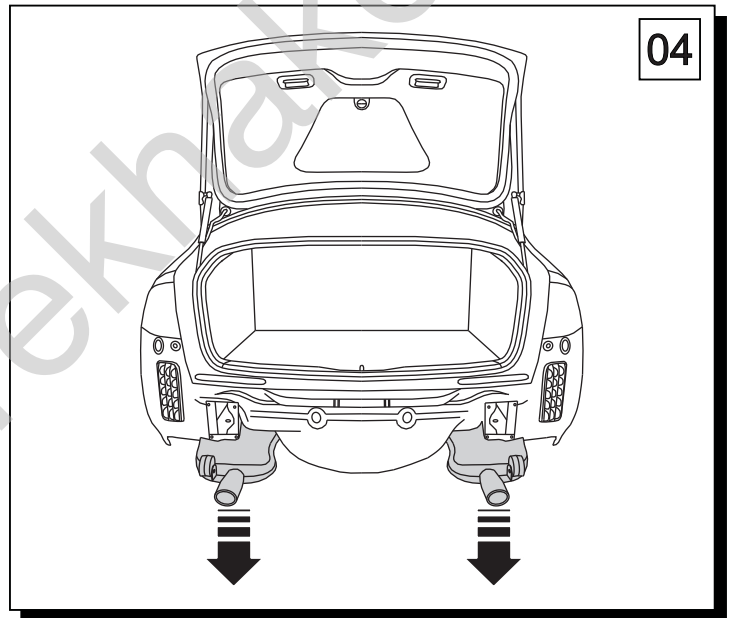
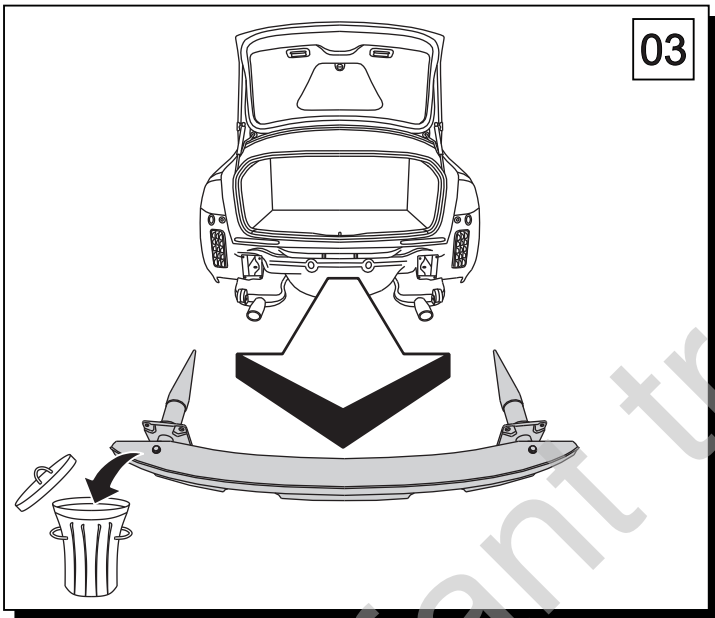
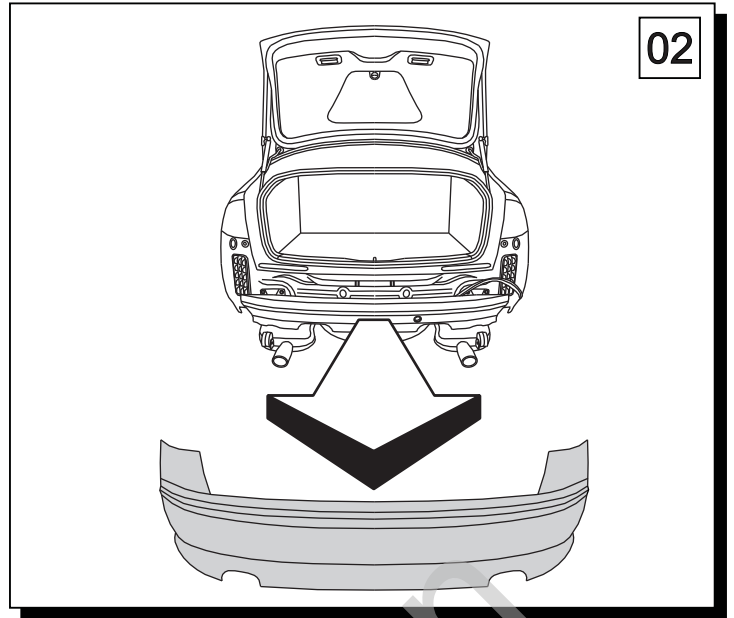
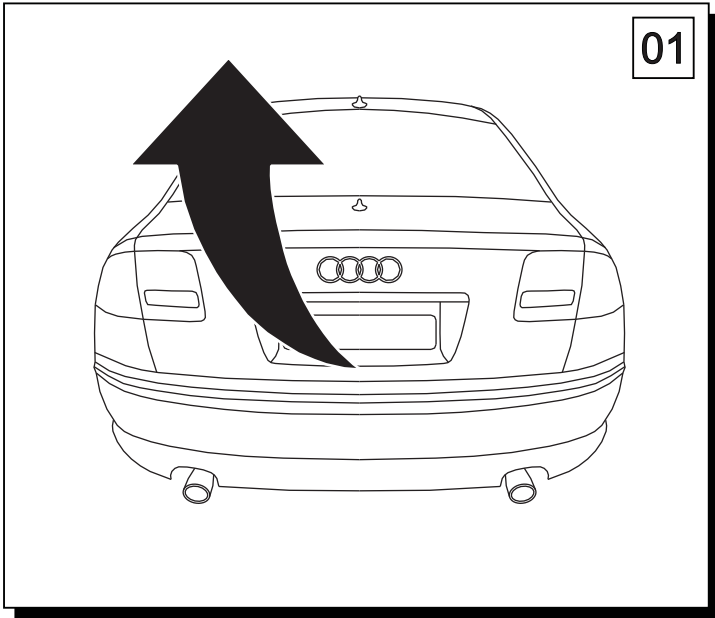
0 km →



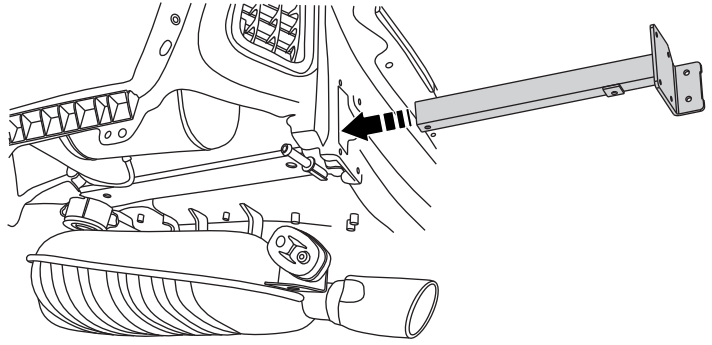
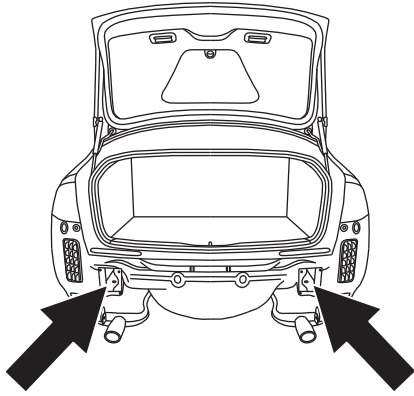
1000 km



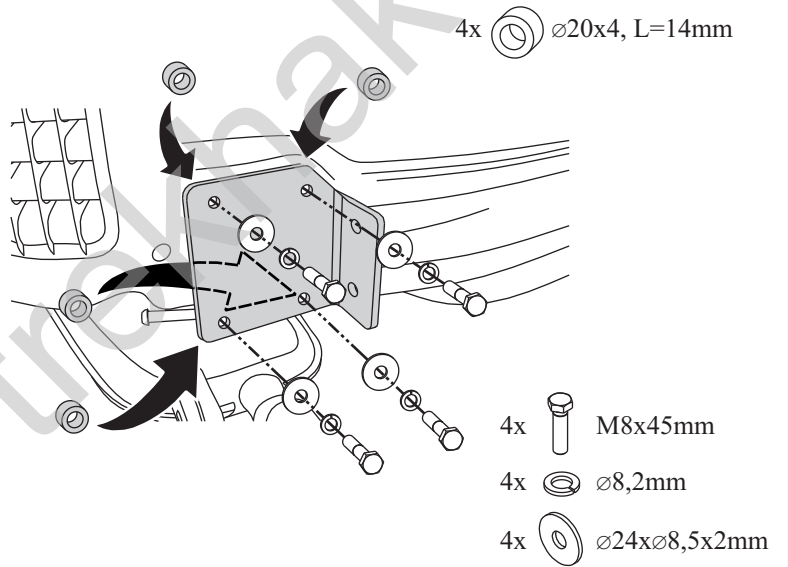
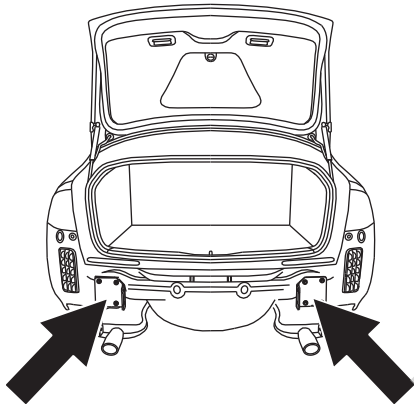
| | | | | | |
|---|-----|---|----|-----------------------------|-----|
|  | x 1 |  | 8 | M12x40 | x 4 |
| | | | 9 | M10x40 | x 4 |
| | | | 10 | M8x45 | x 8 |
|  Art.nr-KL1A27A | x 1 |  | 11 | ∅ 13 | x 4 |
| | | | 12 | ∅ 10.5 | x 4 |
| | | | 13 | ∅ 24x∅8.5x2 8 (DIN 9021) | x 8 |
|  Art.nr-BL1A27A | x 1 |  | 14 | ∅ 12.2 | x 4 |
| | | | 15 | ∅ 10.2 | x 4 |
|  | x 1 |  | 16 | ∅ 8.2 | x 8 |
| | | | 17 | M12 | x 2 |
|  | x 1 |  | 18 | | x 1 |
| | | | 6 | | |
|  | x 4 | | | | |
| | | 40x40x6mm | | | |
|  | x 8 | | | | |
| | | ∅20x4mm, L=14mm | | | |



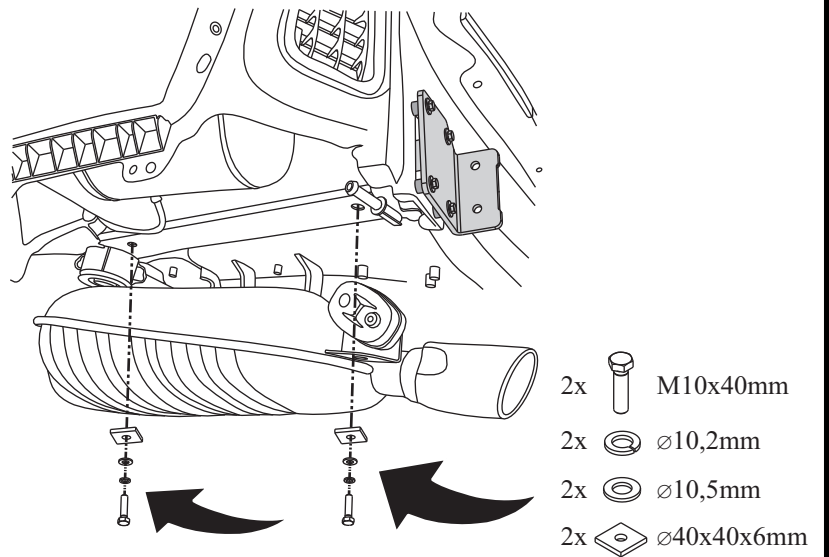
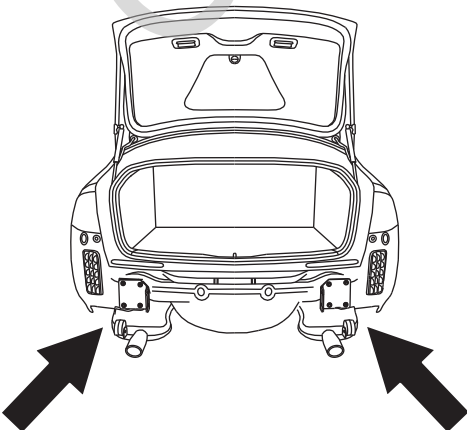
07

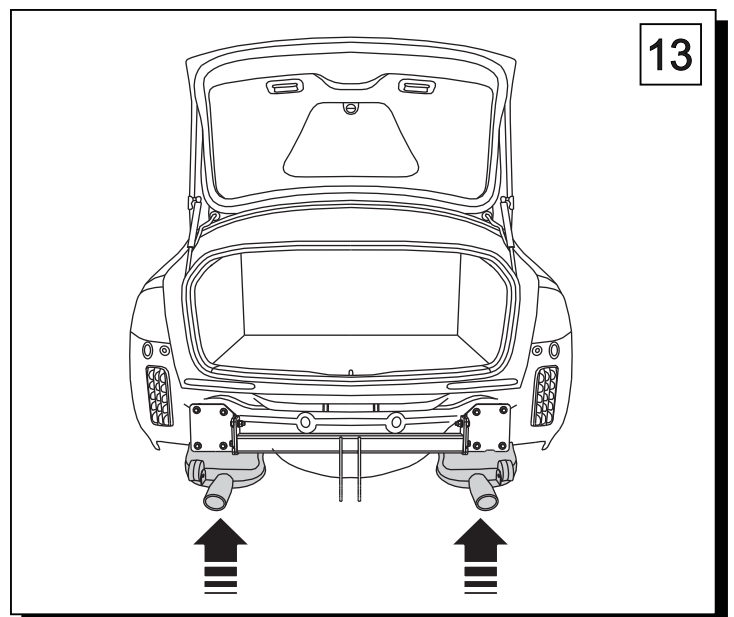
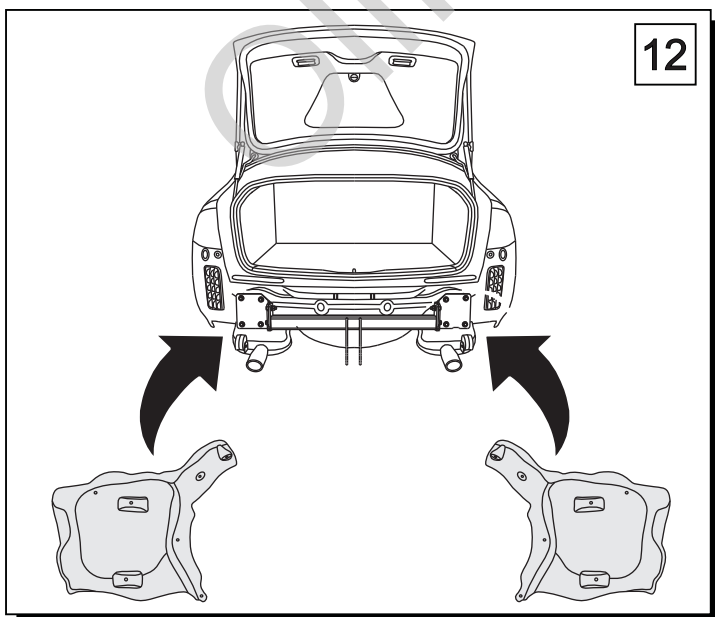
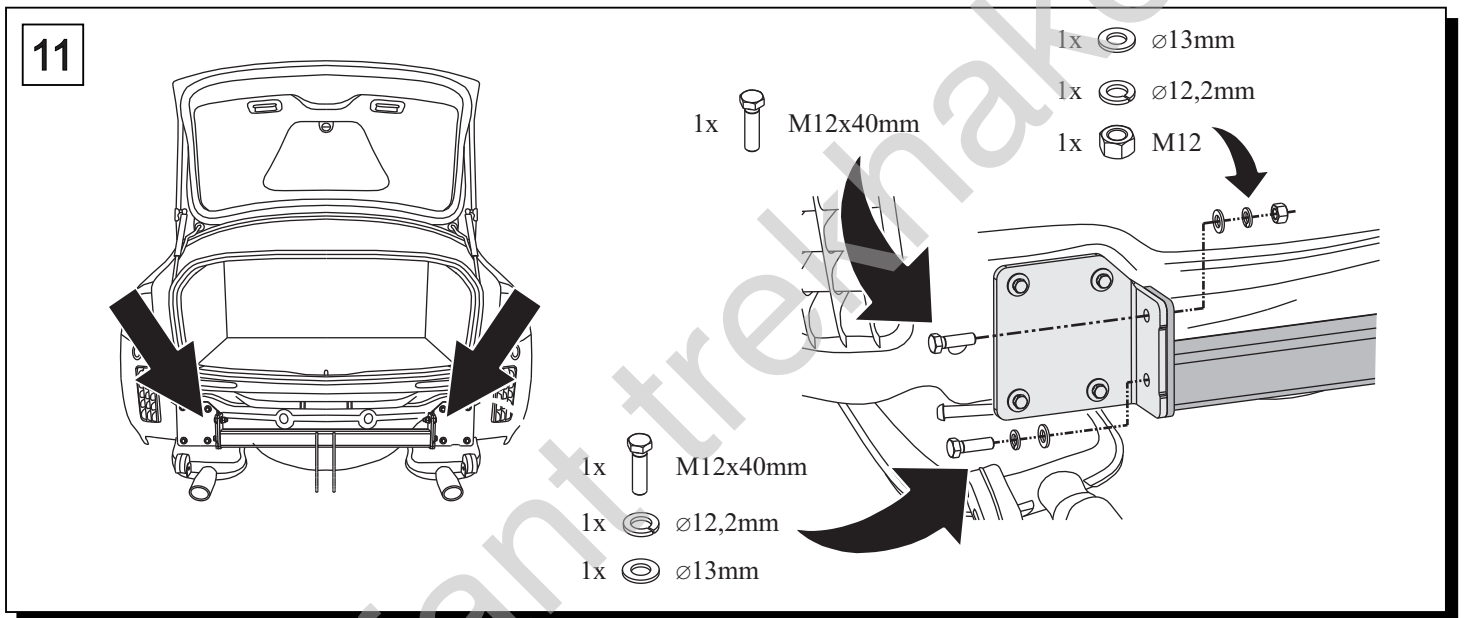
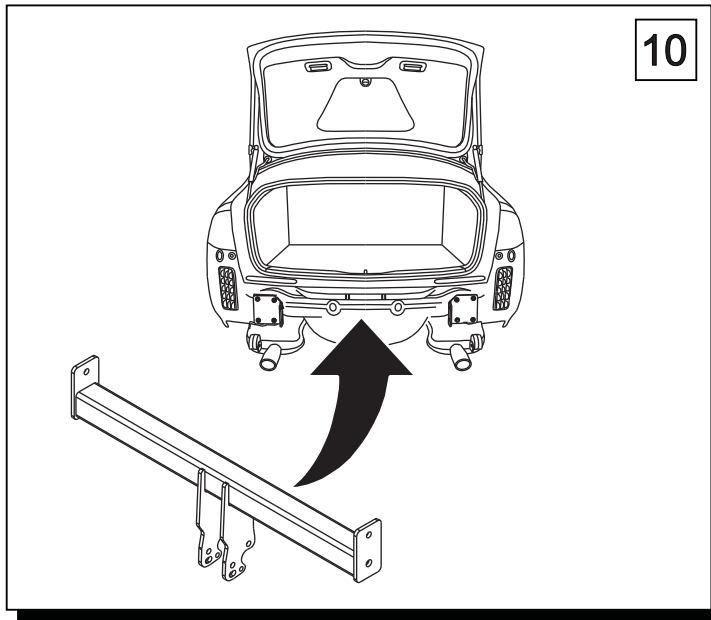


08

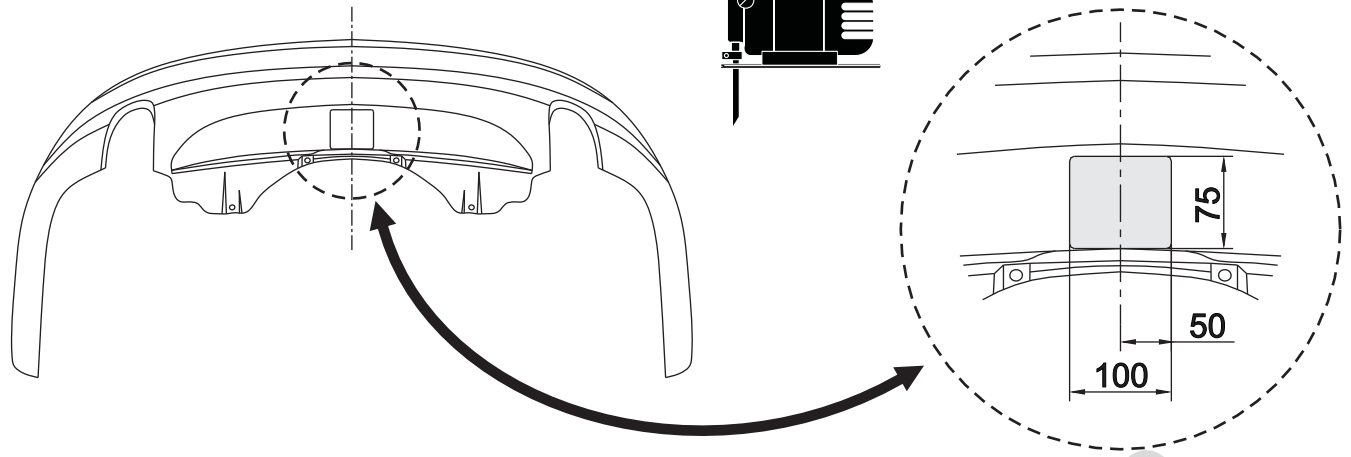


09

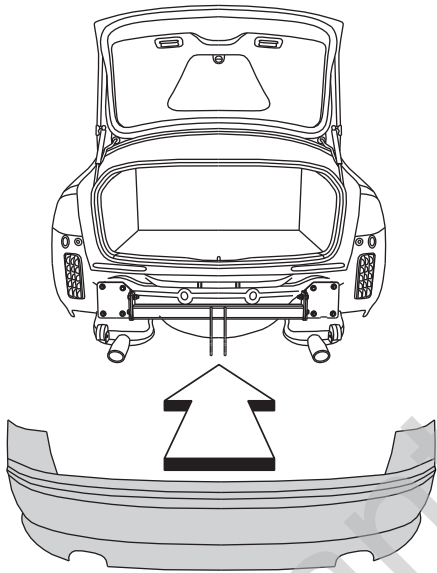




14



15



16

