

# AUTO-HAK Sp. z o.o.

ul. Słoneczna 16K 76-200 SŁUPSK  
POLAND

tel/fax +48 59 8 414 414; +48 59 8 414 413

e-mail: [office@autohak.com.pl](mailto:office@autohak.com.pl)

[www.autohak.com.pl](http://www.autohak.com.pl)



# AUTO-HAK



**AUDI A8**  
**4D, QUATTRO, (S8)**

Cat. no:

**A27**



10.2002 → 02.2010

e20

e20\*94/20\*1481\*00



3h

D

12,5 kN



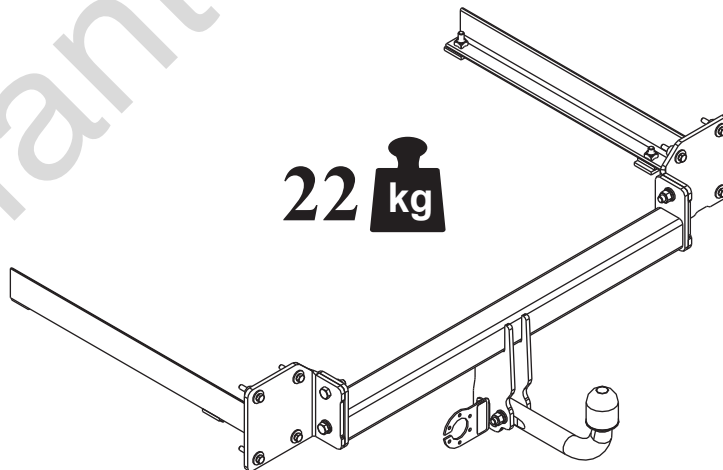
R=2430 kg



S=95 kg



22 kg



M6 - 11 Nm  
M10 - 50 Nm  
M14 - 138 Nm

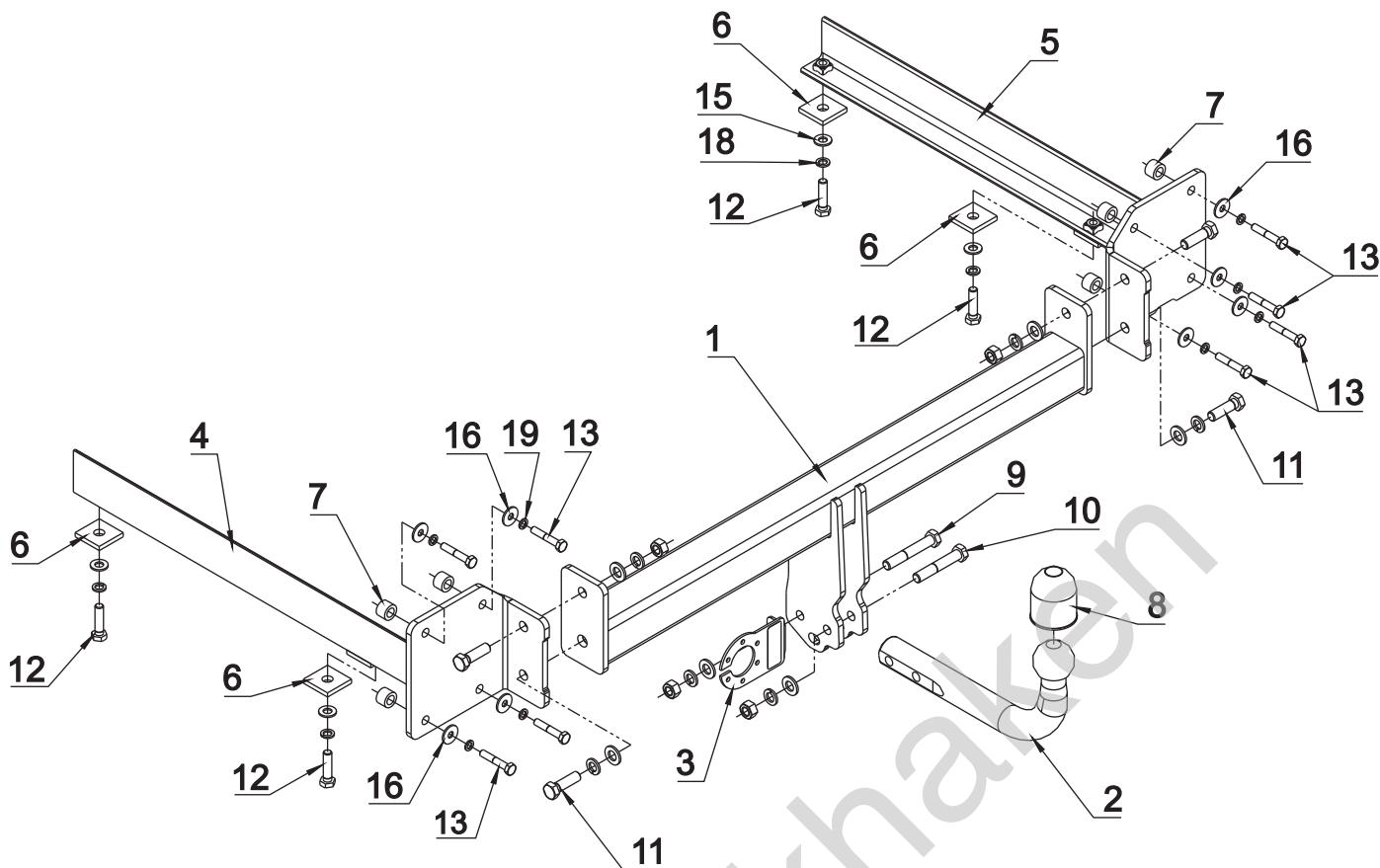
M8 - 25 Nm  
M12 - 87 Nm  
M16 - 210 Nm

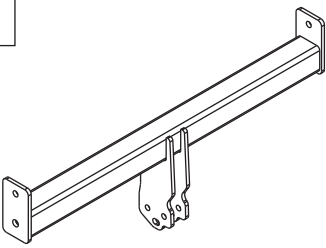

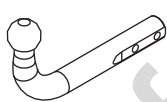

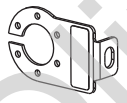

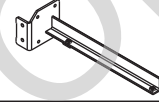

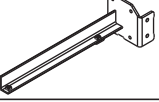

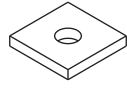





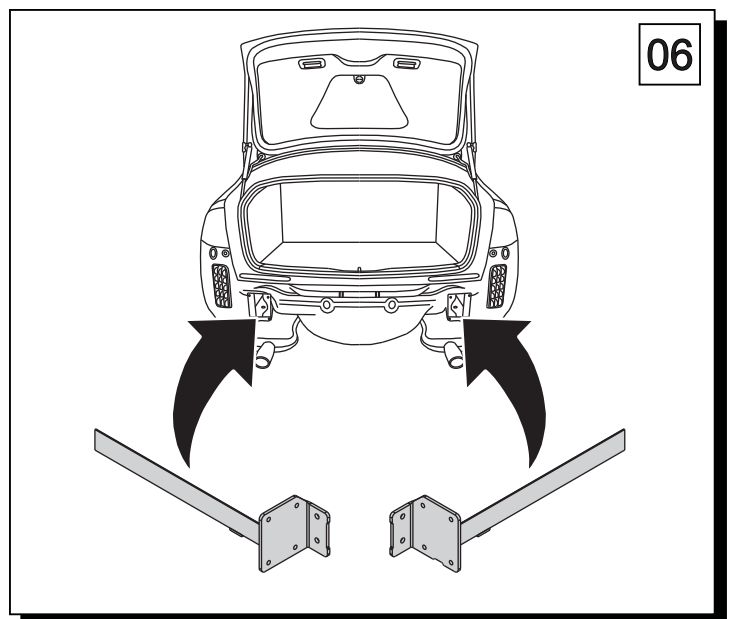
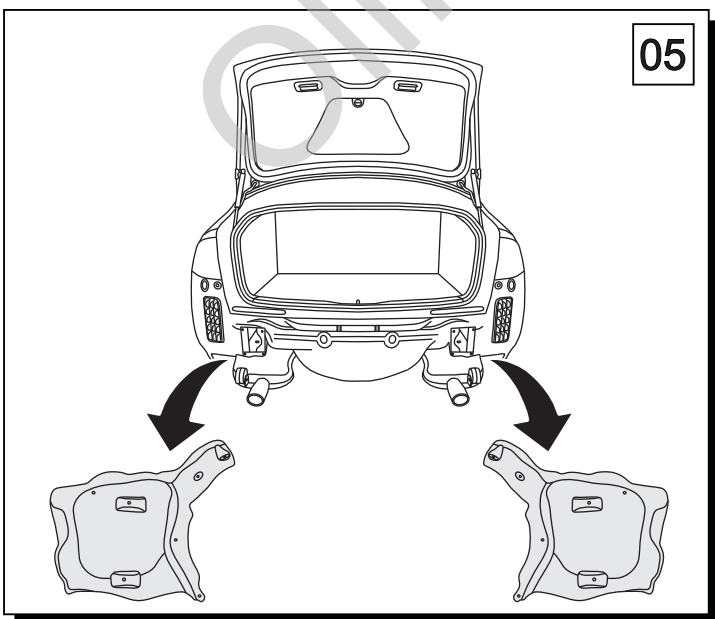
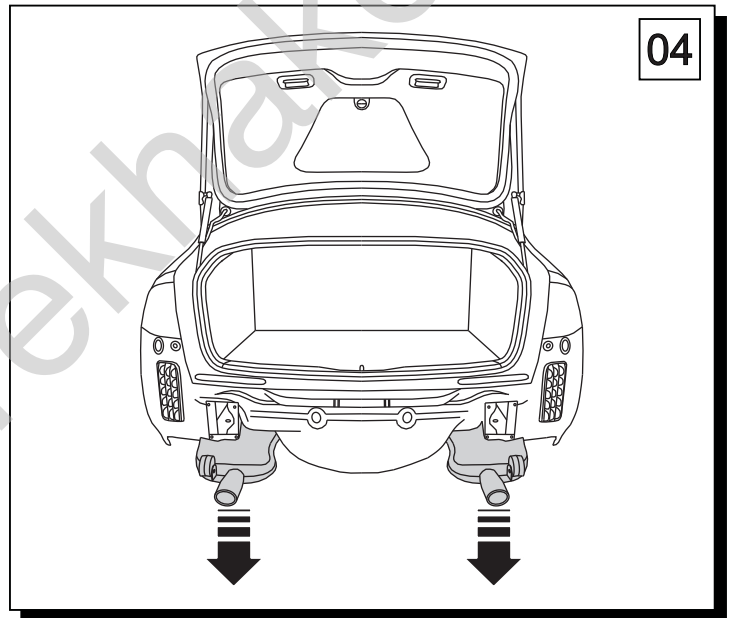
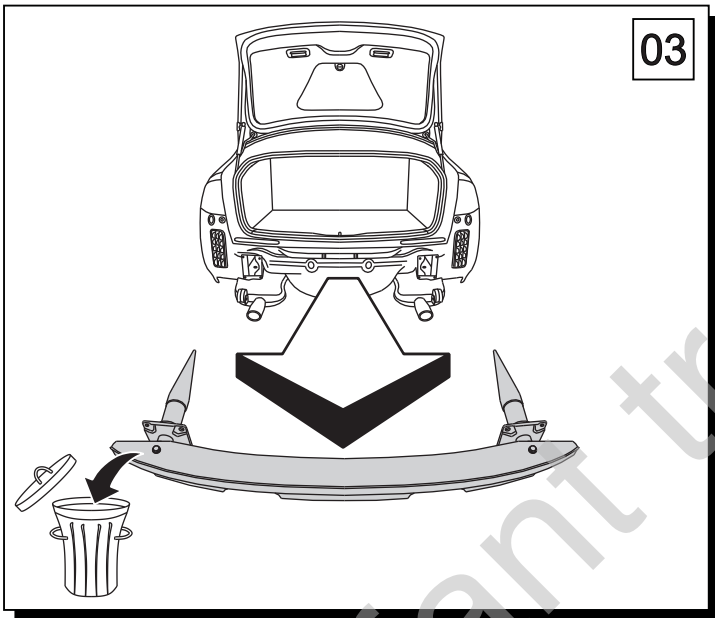
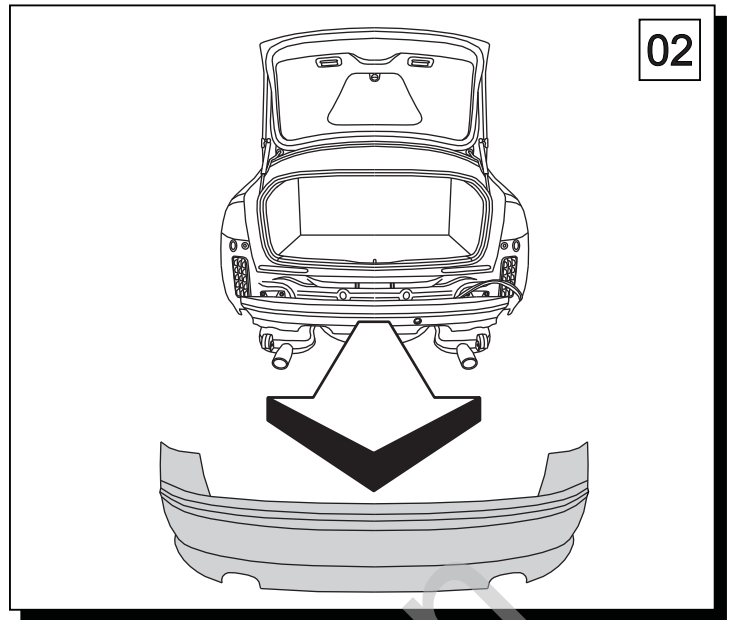
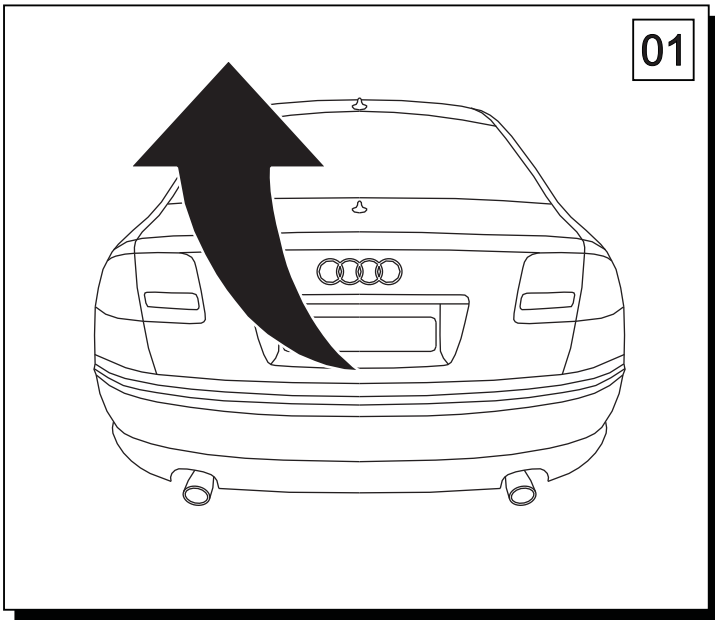
0 km →



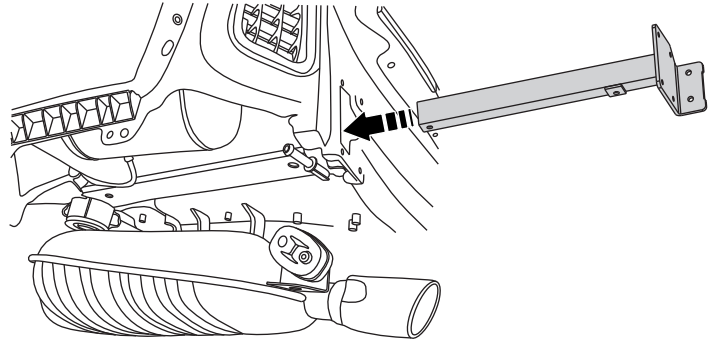
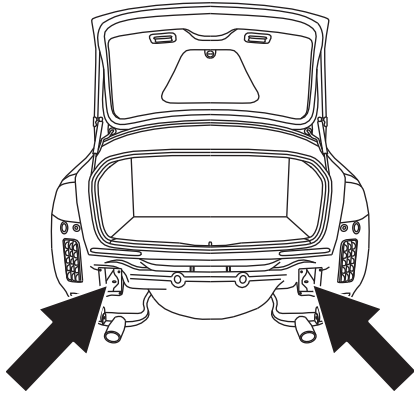
1000 km



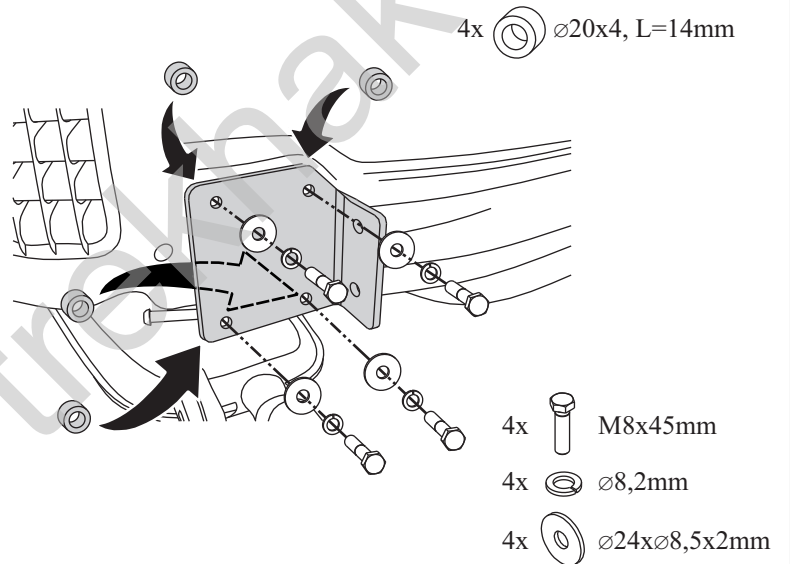
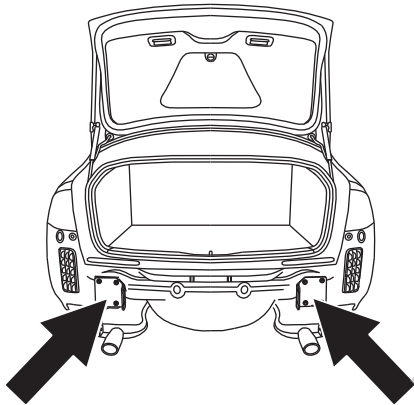
<b>1</b> 	<b>x 1</b>		<b>9</b> M12x75	<b>x 1</b>
			<b>10</b> M12x70	<b>x 1</b>
			<b>11</b> M12x40	<b>x 4</b>
			<b>12</b> M10x40	<b>x 4</b>
			<b>13</b> M8x45	<b>x 8</b>
<b>2</b> 	<b>x 1</b> Art.nr-KL1A27		<b>14</b> $\varnothing$ 13	<b>x 6</b>
			<b>15</b> $\varnothing$ 10.5	<b>x 4</b>
<b>3</b> 	<b>x 1</b> Art.nr-BL1A27		<b>16</b> $\varnothing$ 24x $\varnothing$ 8.5x2	<b>x 8</b>
			8 (DIN 9021)	
<b>4</b> 	<b>x 1</b>		<b>17</b> $\varnothing$ 12.2	<b>x 6</b>
			<b>18</b> $\varnothing$ 10.2	<b>x 4</b>
<b>5</b> 	<b>x 1</b>		<b>19</b> $\varnothing$ 8.2	<b>x 8</b>
			<b>20</b> M12	<b>x 4</b>
<b>6</b> 	<b>x 4</b> 40x40x6mm			
<b>7</b> 	<b>x 8</b> $\varnothing$ 20x4mm, L=14mm			
<b>8</b> 	<b>x 1</b>			



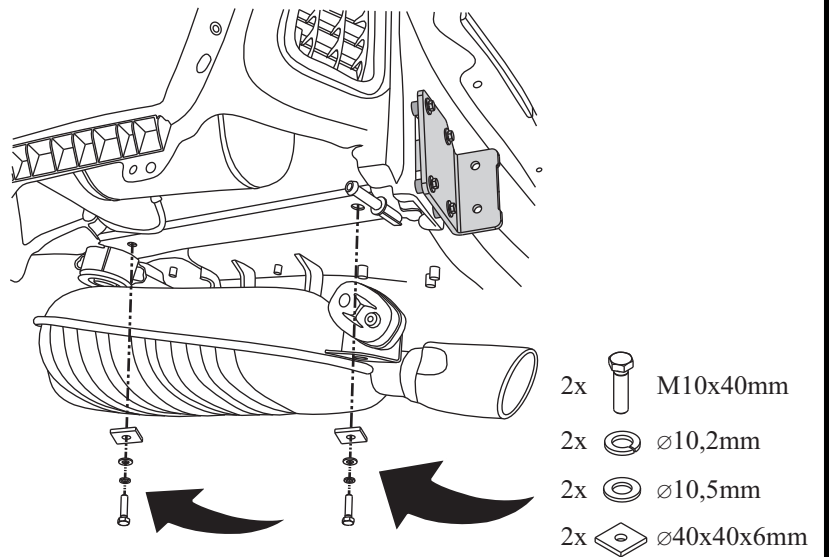
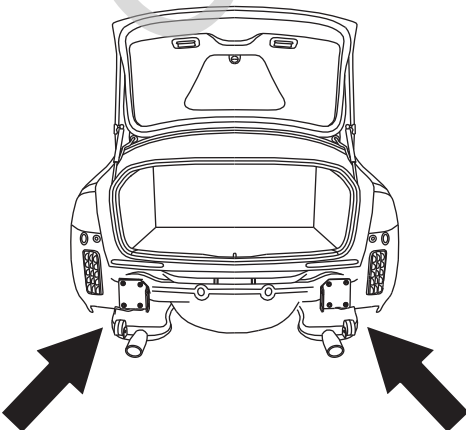
07

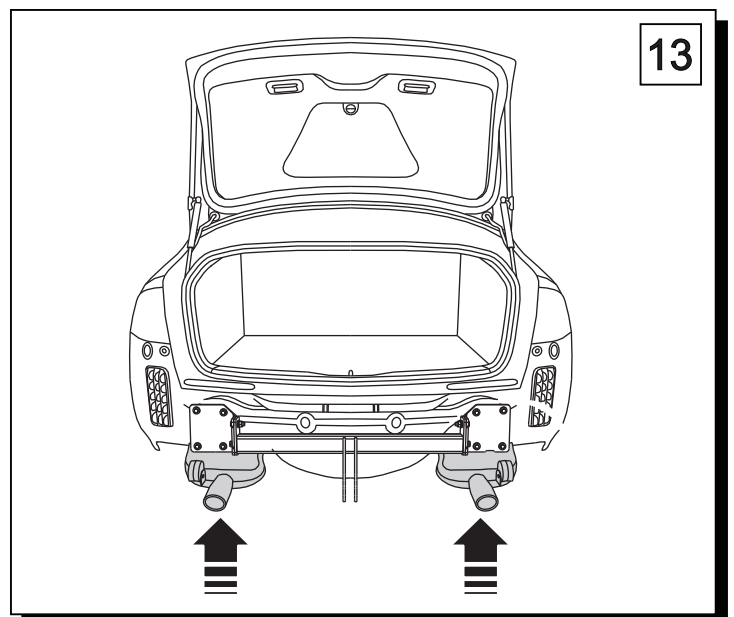
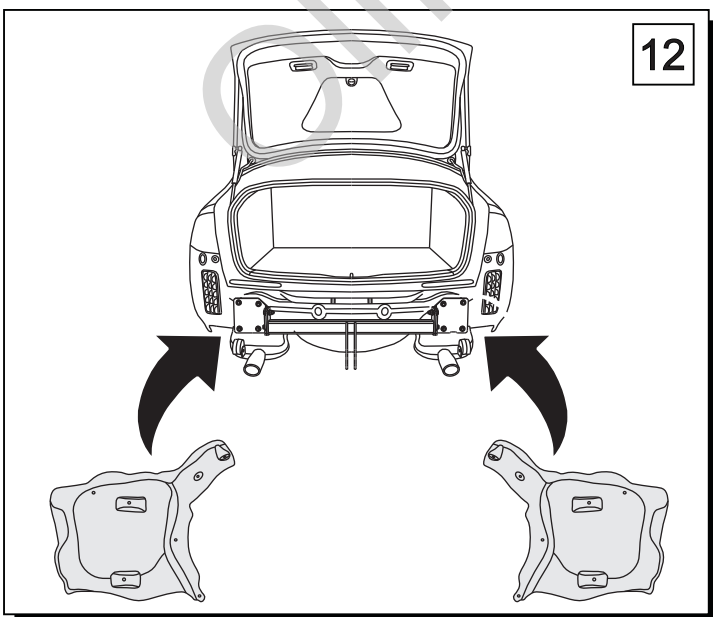
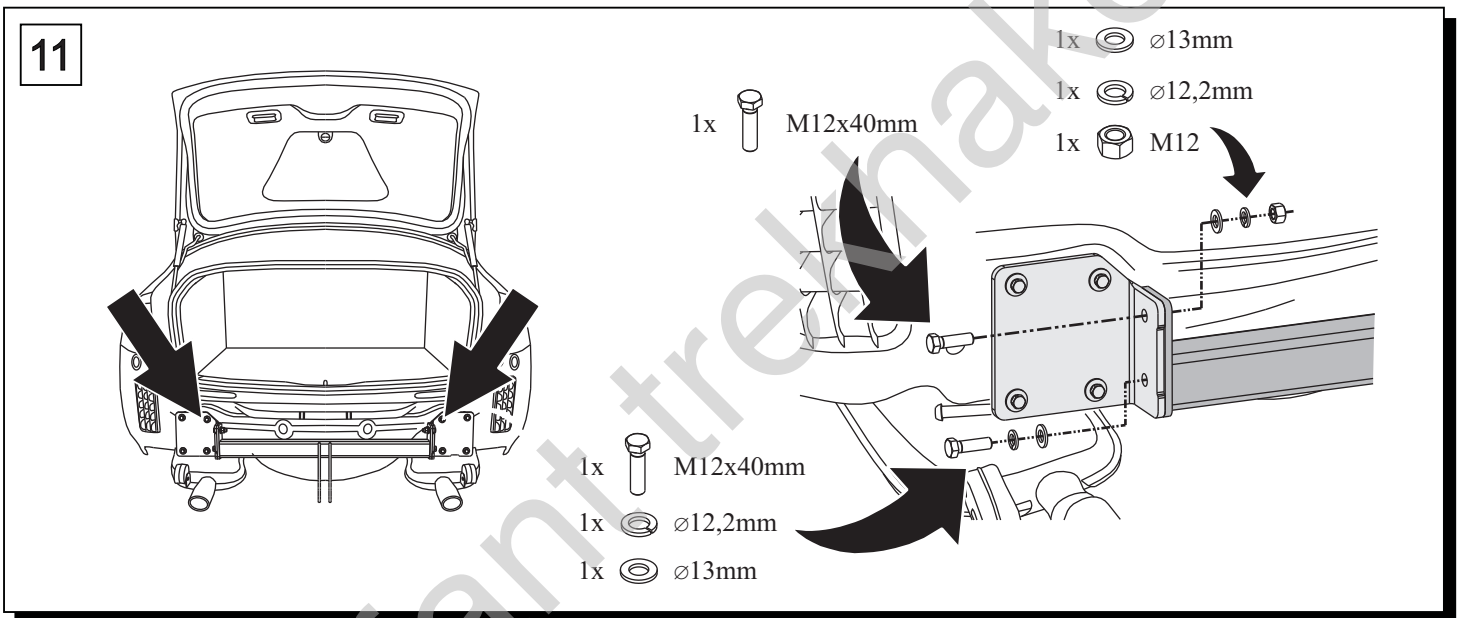
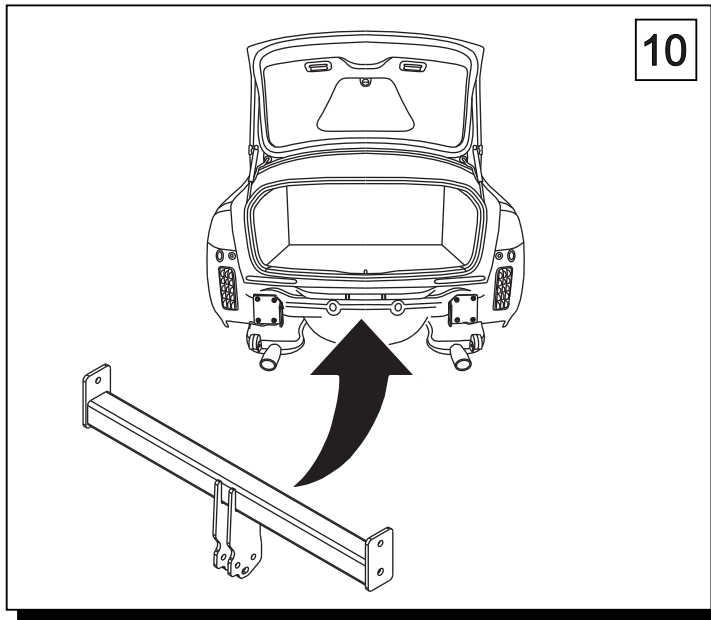


08

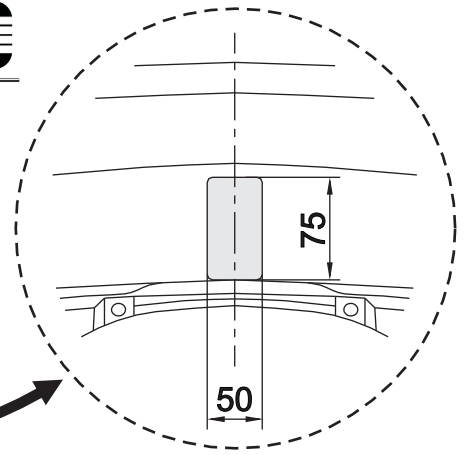
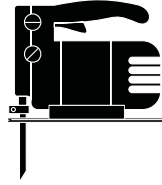
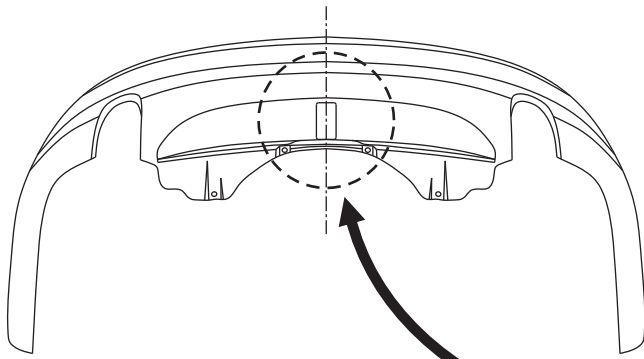


09

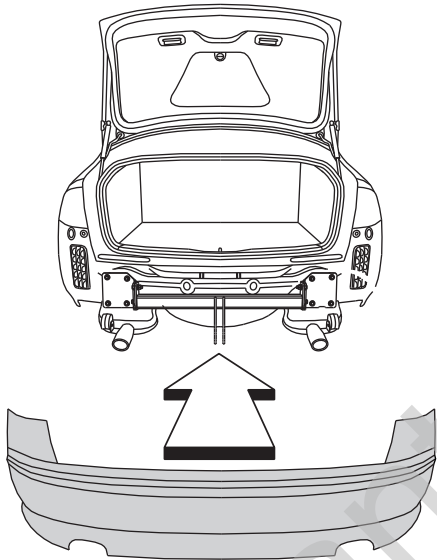




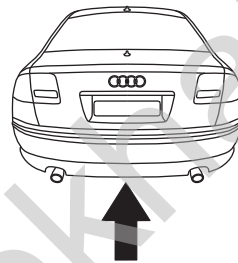
14



15



16



M12x75mm

M12x70mm

2x   $\varnothing 13\text{mm}$

2x   $\varnothing 12,2\text{mm}$

2x  M12

