

AUTO-HAK Sp. z o.o.

ul. Słoneczna 16K 76-200 SŁUPSK
POLAND

tel/fax +48 59 8 414 414; +48 59 8 414 413

e-mail: office@autohak.com.pl


www.autohak.com.pl



AUTO-HAK

AUDI Q5 (8R)

+S-line

 09.2008 → 12.2016

Nr kat.

A26A

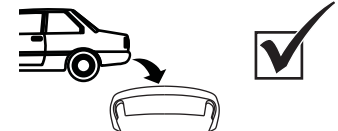
PORSCHE MACAN


 2014 →

  **2h**

e20 e20*94/20*1313*00

D 12,0 kN

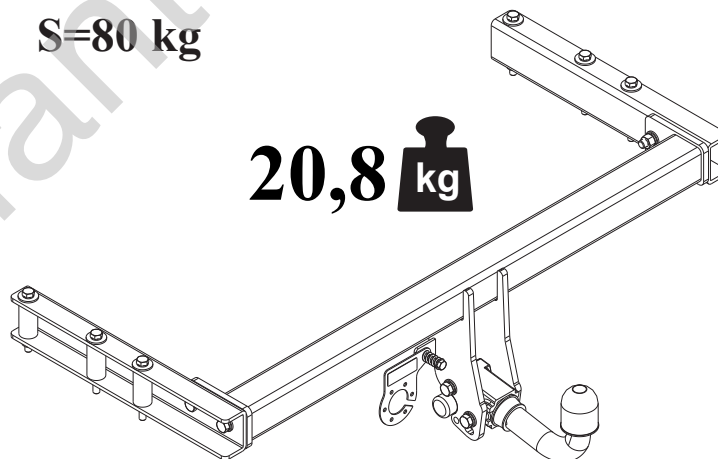


 **R=2400 kg**



 **S=80 kg**

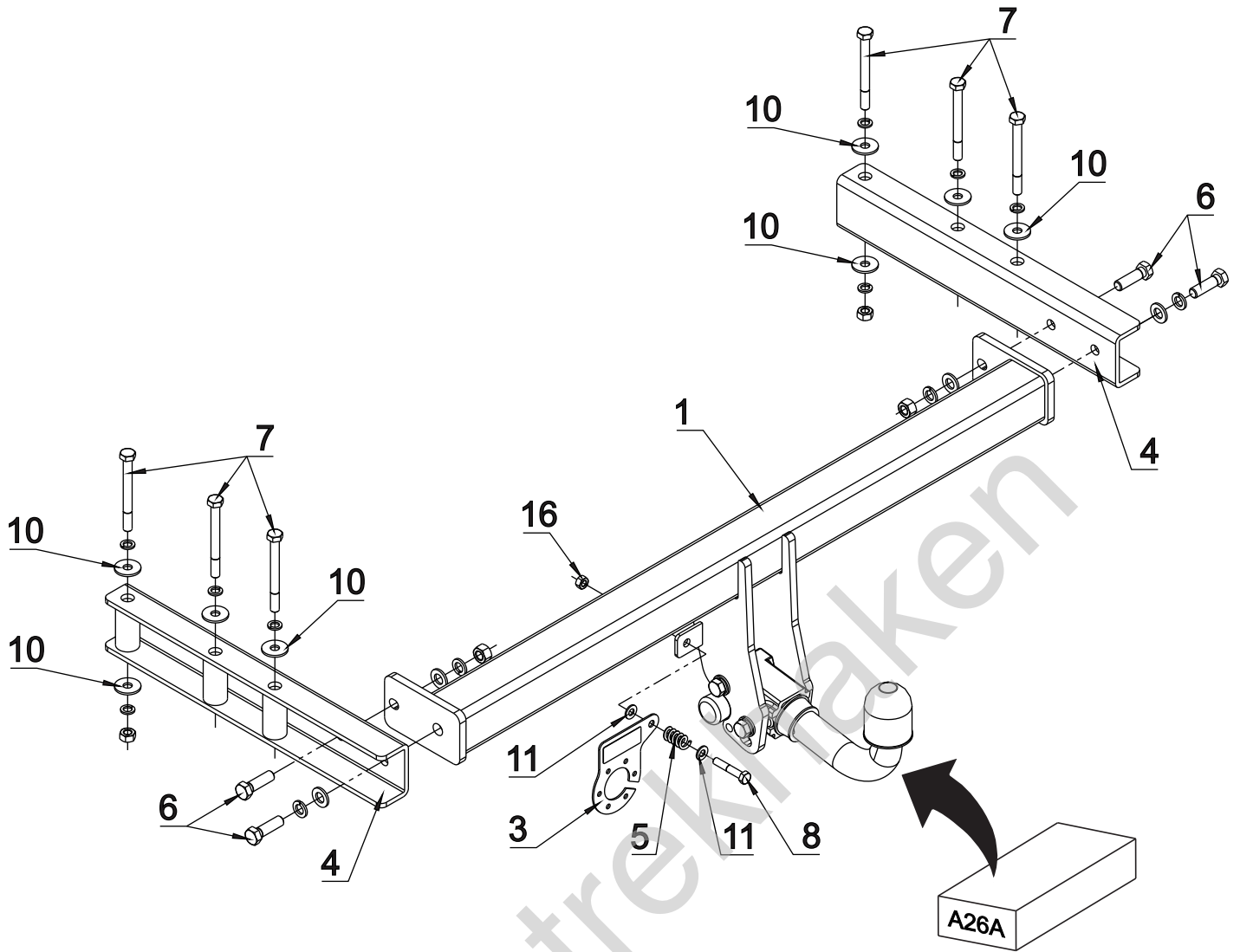
20,8 kg 

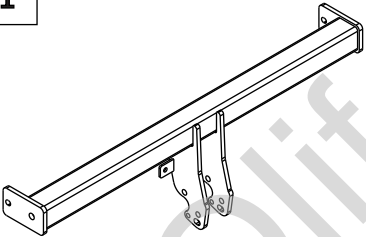

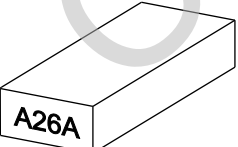
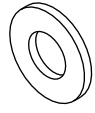
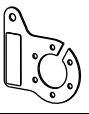
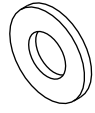
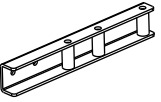

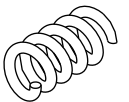
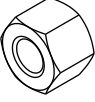


M6 - 8,5 Nm
M10 - 41 Nm
M14 - 112 Nm

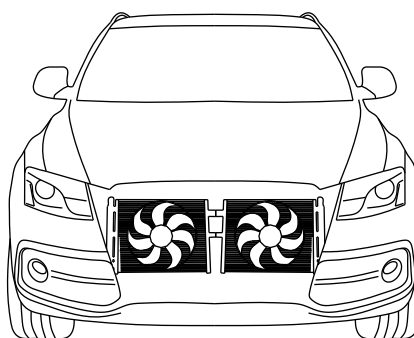
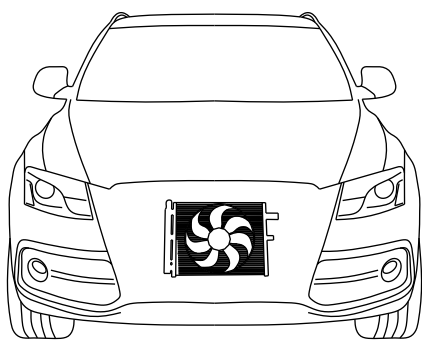
M8 - 20 Nm
M12 - 70 Nm
M16 - 170 Nm

 **0 km** →  **1000 km**

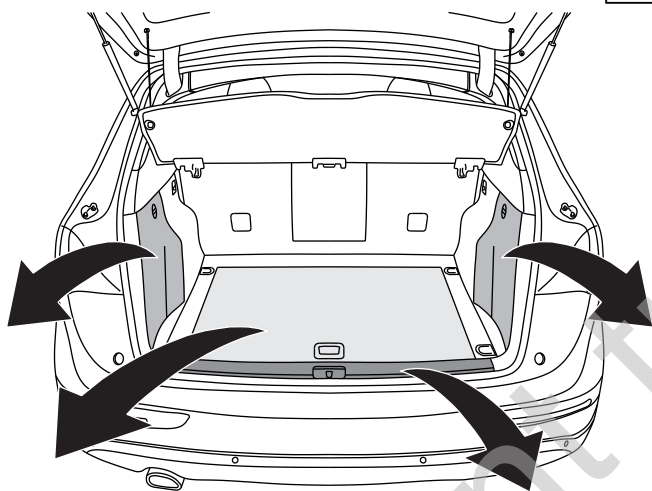


	x 1		6 M12x40	x 4
			7 M10x100	x 6
	x 1 Art.nr-KL1A26A		8 M8x45	x 1
			9 \varnothing 13	x 4
	x 1 Art.nr-BL1A26A		10 \varnothing 30x \varnothing 10.5x2.5 10 (DIN 9021)	x 8
			11 \varnothing 8.3	x 2
	x 2		12 \varnothing 12.2	x 4
			13 \varnothing 10.2	x 8
	x 2		14 M12	x 2
			15 M10	x 2
			16 M8	x 1

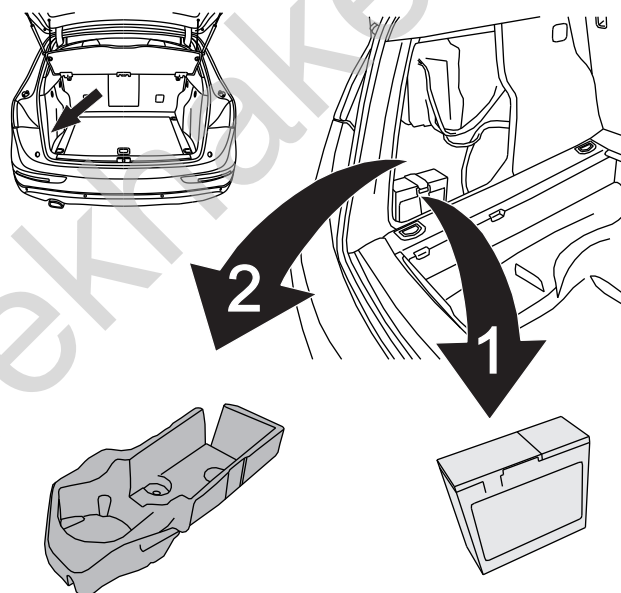
01



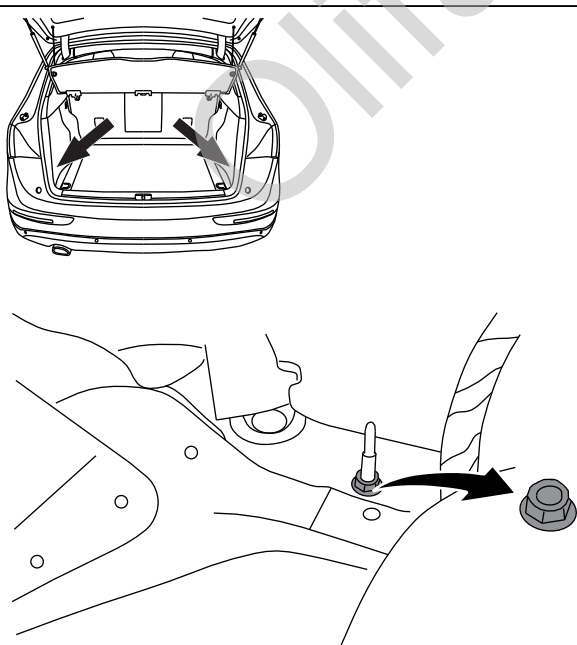
02



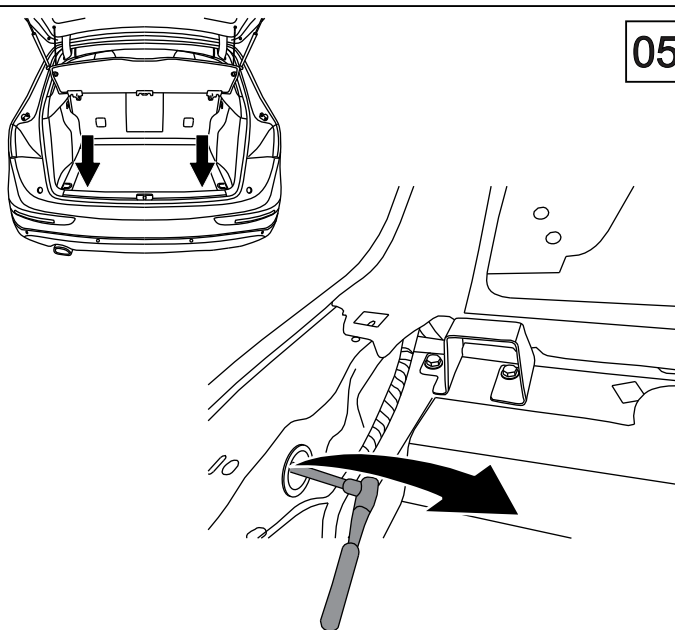
03

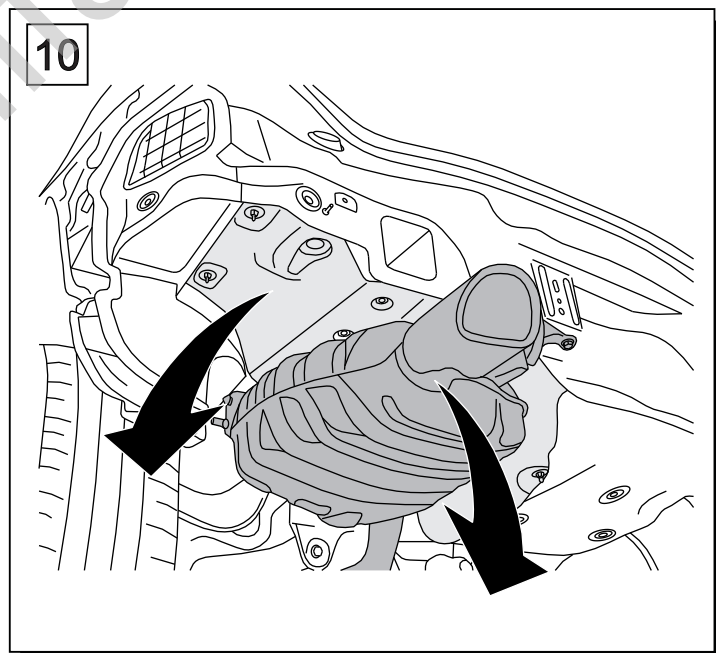
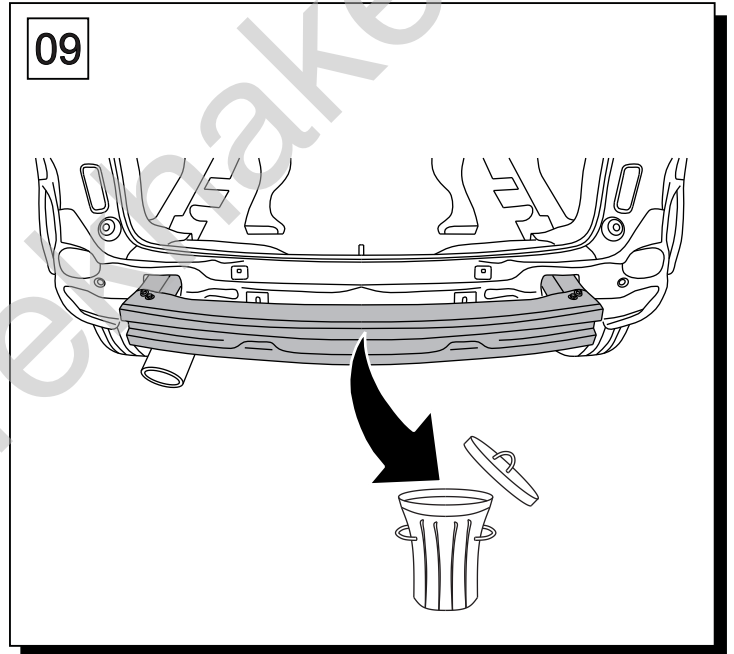
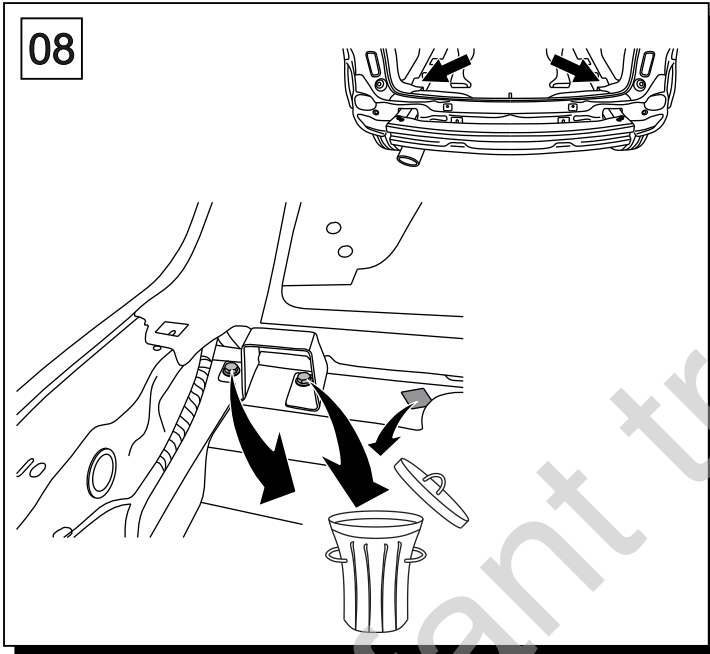
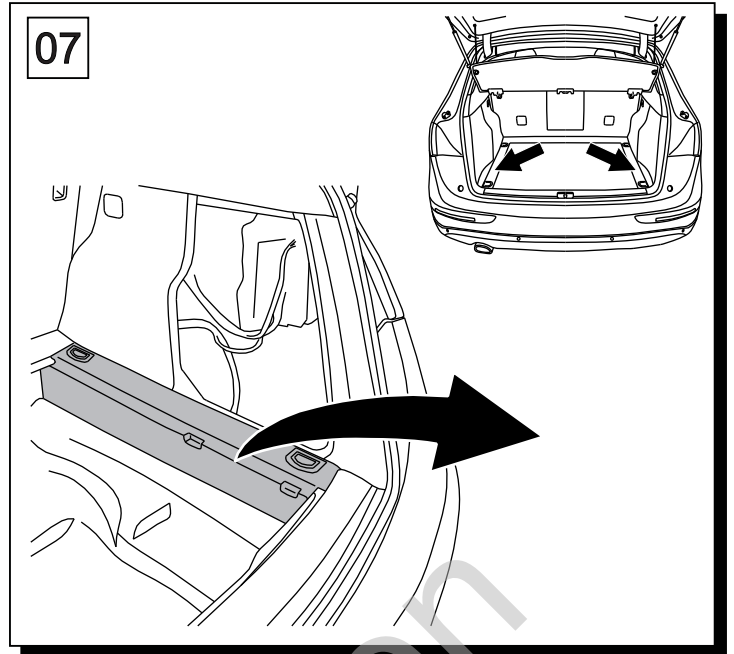
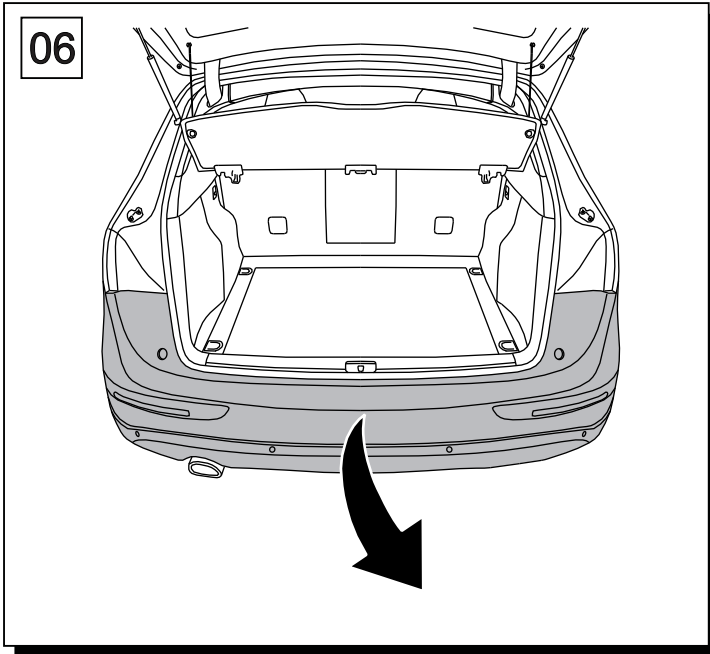


04

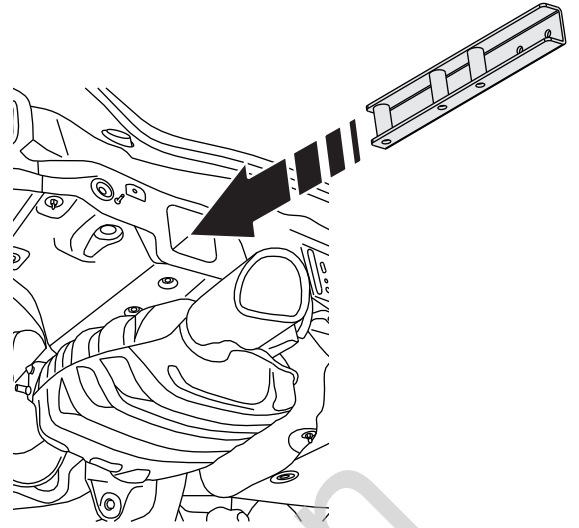
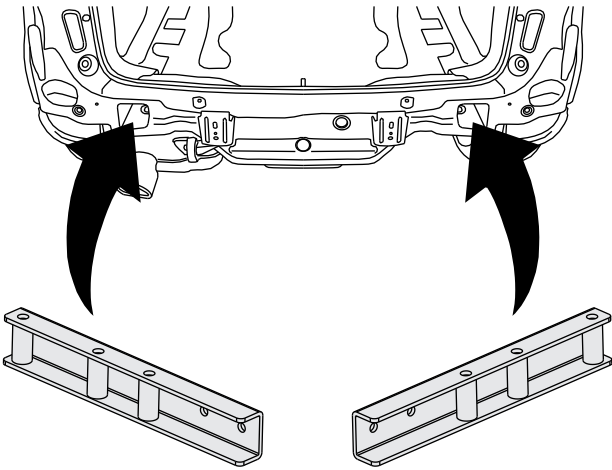


05






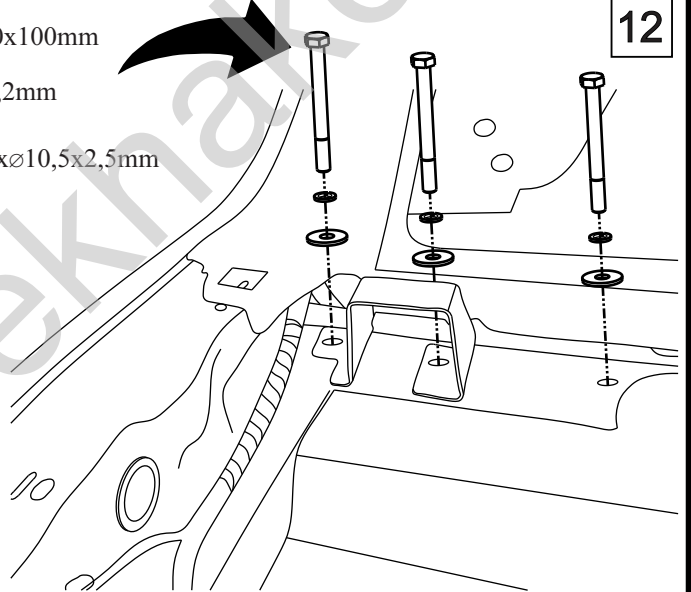
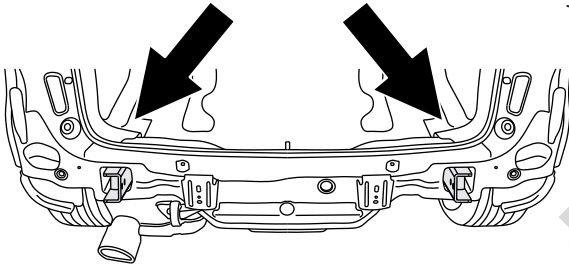


11

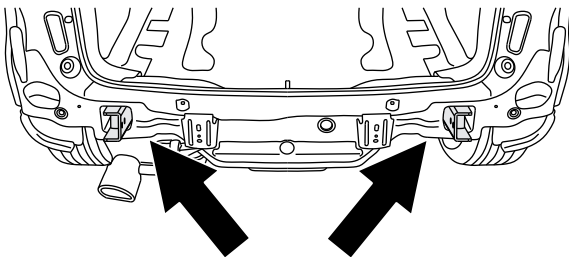





12

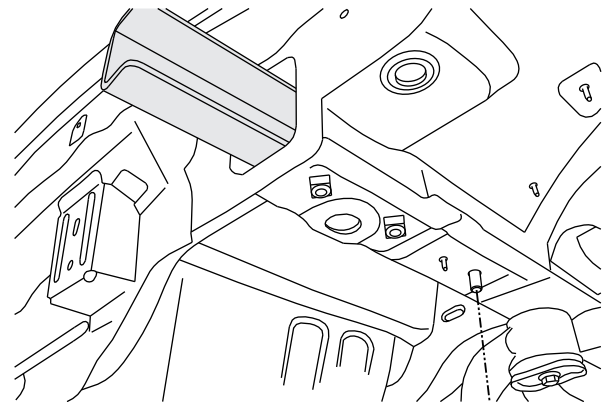
- 3x  M10x100mm
- 3x  $\varnothing 10,2\text{mm}$
- 3x  $\varnothing 30 \times \varnothing 10,5 \times 2,5\text{mm}$



13




- 1x  $\varnothing 30 \times \varnothing 10,5 \times 2,5\text{mm}$
- 1x  $\varnothing 10,2\text{mm}$
- 1x  M10

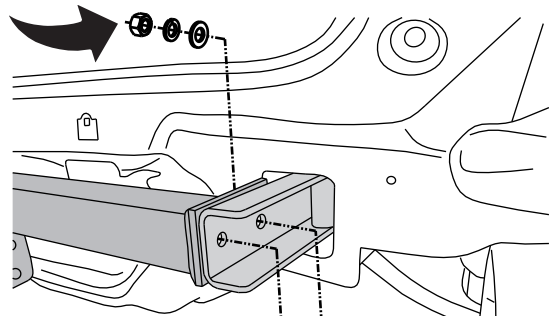
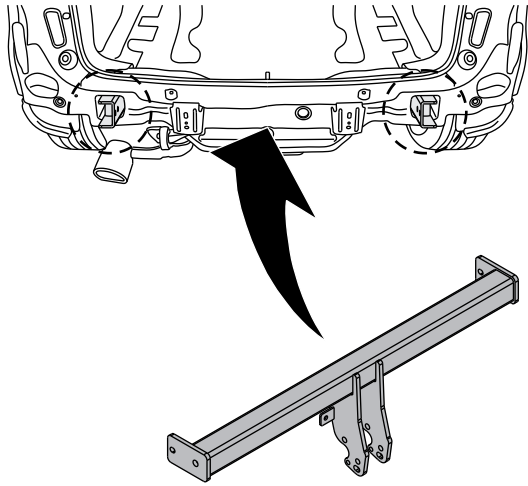


14

1x  $\varnothing 13\text{mm}$

1x  $\varnothing 12,2\text{mm}$

1x  M12



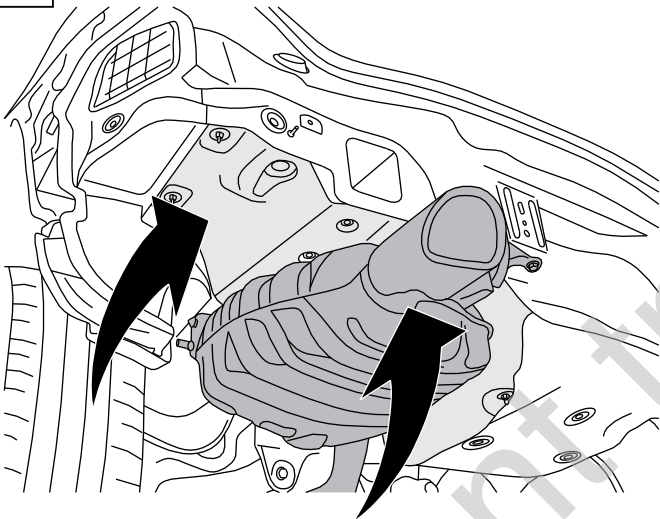
1x  M12x40mm

1x  $\varnothing 12,2\text{mm}$

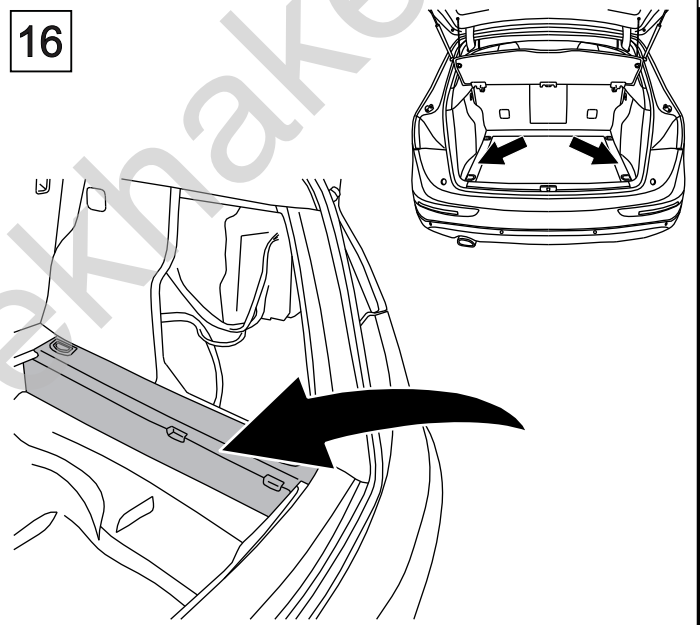
1x  $\varnothing 13\text{mm}$

1x  M12x40mm

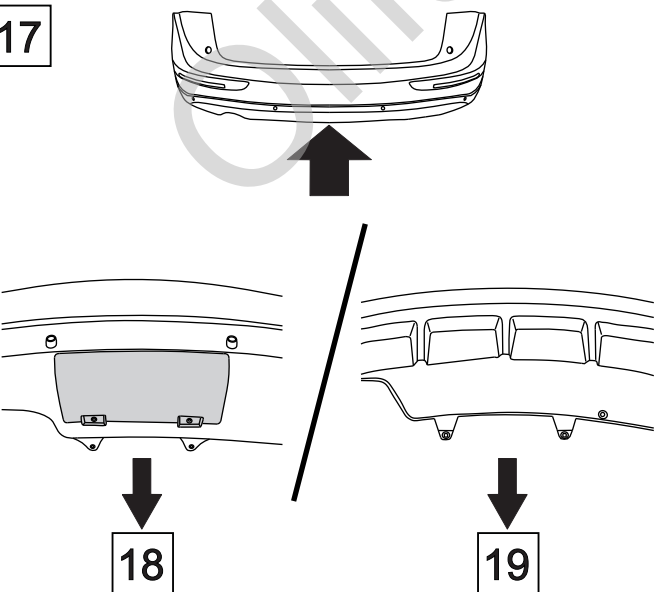
15



16



17



18

