

# AUTO-HAK Sp. z o.o.

ul. Słoneczna 16K 76-200 SŁUPSK  
POLAND

tel/fax +48 59 8 414 414; +48 59 8 414 413

e-mail: [office@autohak.com.pl](mailto:office@autohak.com.pl)

[www.autohak.com.pl](http://www.autohak.com.pl)



# AUTO-HAK



**AUDI Q7**

~~S-Line~~, bez szklanego dachu

Nr kat.

**A25A**



01.2006 → 06.2015



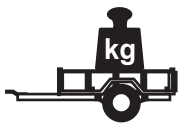
E20-55R-01 5965



2h



16,4 kN



R=3500 kg



S=150 kg



22,4 kg



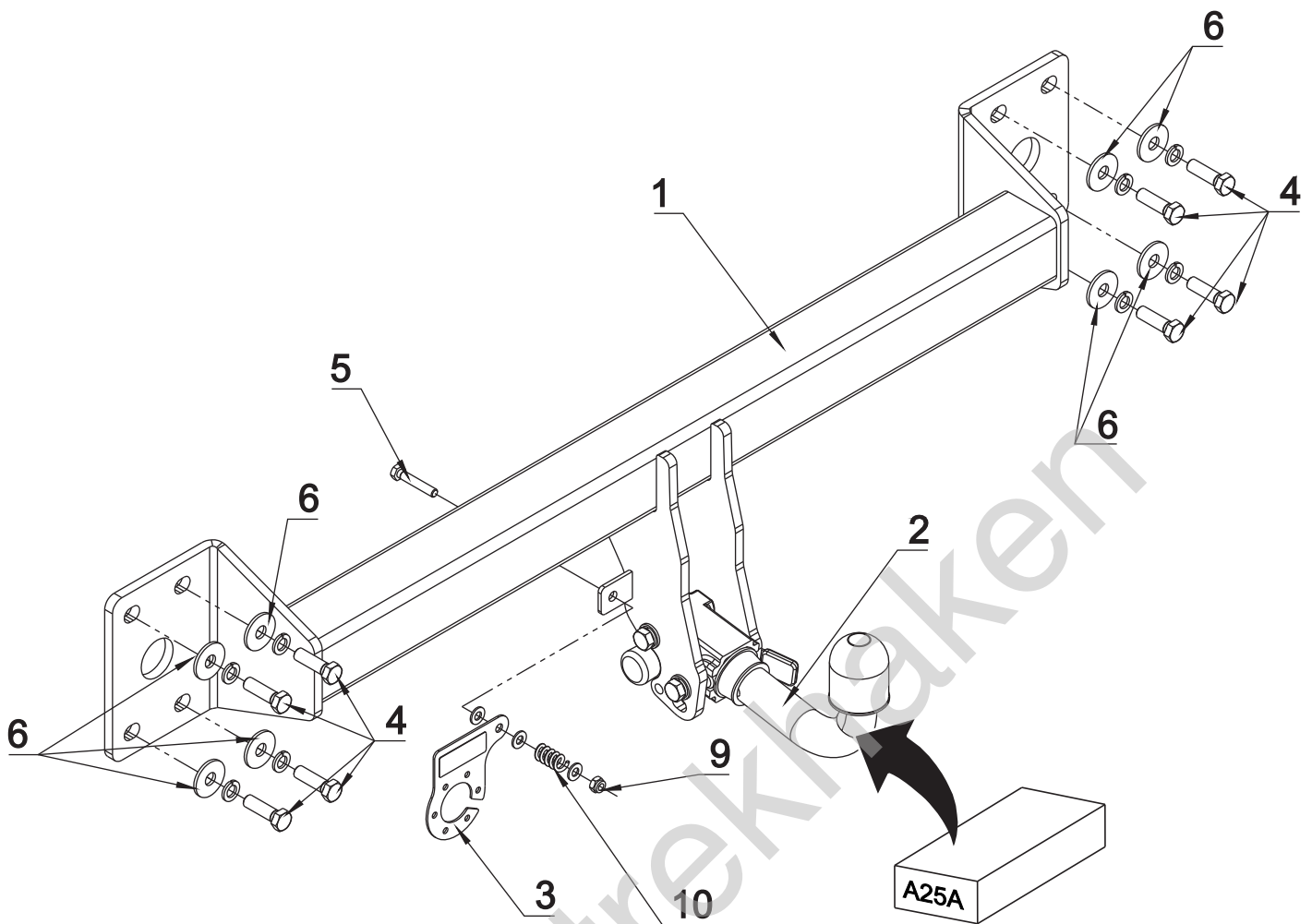
śruba	Nm	M6	M8	M10	M12	M14	M16
klasa 8.8		9,9	24	48	83	132	200
klasa 10.9		14	34	67	117	185	285

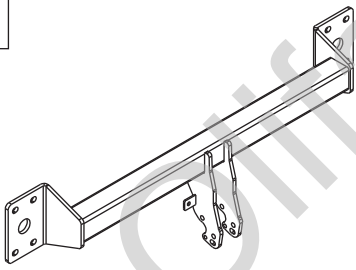


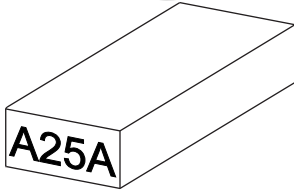

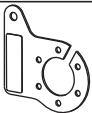

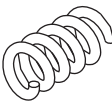


0 km →

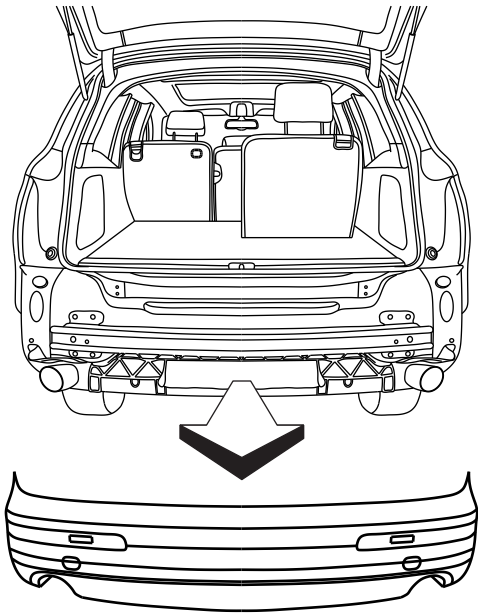


1000 km

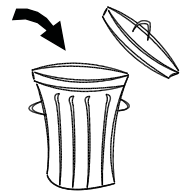
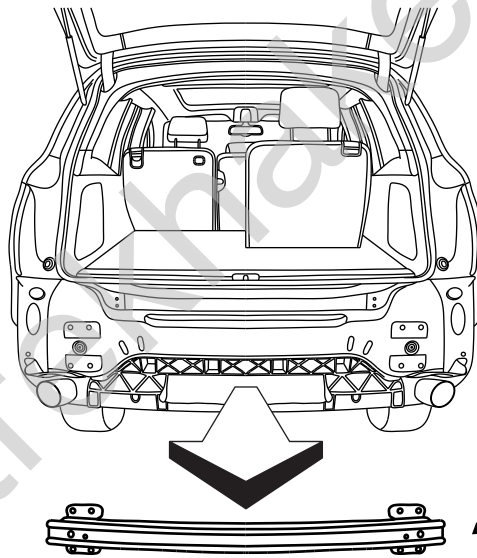


<b>1</b> 	<b>x 1</b>		<b>4</b> M12x1.5x40	<b>x 8</b>	
				<b>5</b> M8x45	<b>x 1</b>
				<b>6</b> $\varnothing 37 \times \varnothing 13 \times 3$ 13 DIN 9021	<b>8</b>
				<b>7</b> $\varnothing 8.4$	<b>x 3</b>
<b>2</b> 	<b>x 1</b>		<b>8</b> $\varnothing 12.2$	<b>x 8</b>	
			<b>3</b> 	<b>x 1</b>	
<b>10</b> 	<b>x 1</b>				
		Art.nr-KL1A25A			
Art.nr-BL12A25A					

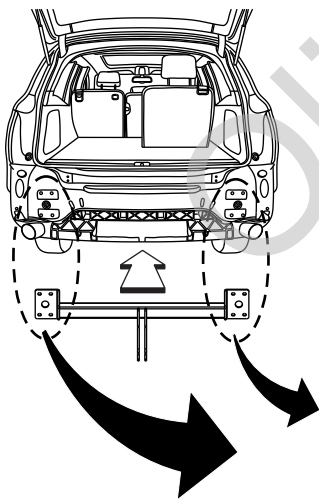
01



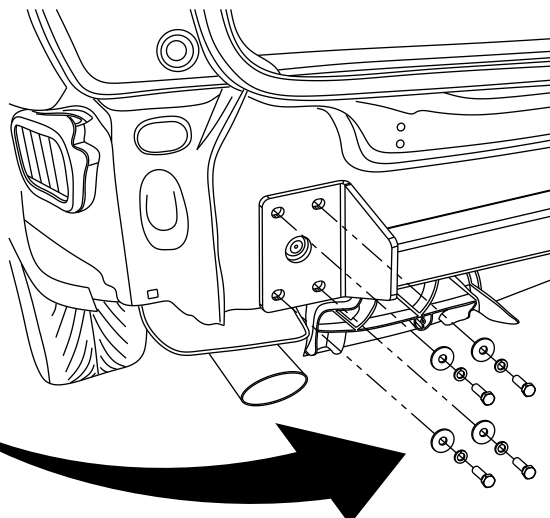
02






03

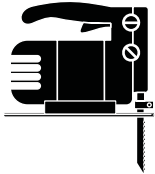
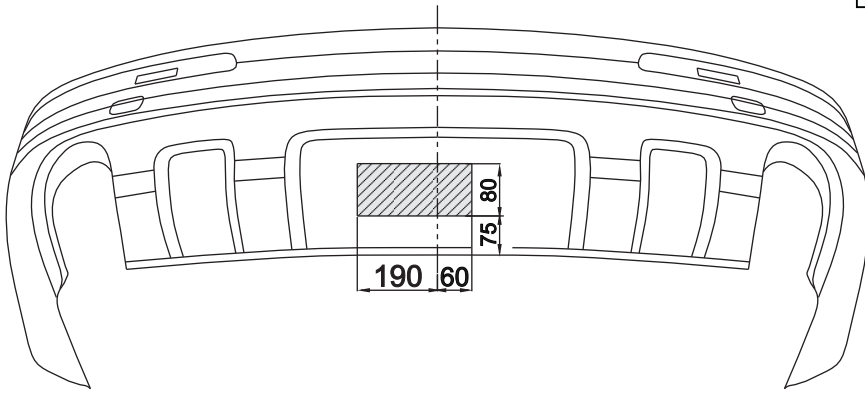


L+R

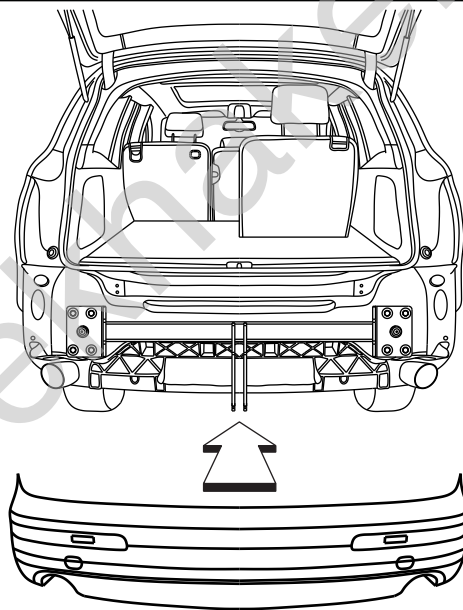


- 8x  M12x1.5x40
- 8x  ø12.2
- 8x  ø37xø13x3

04

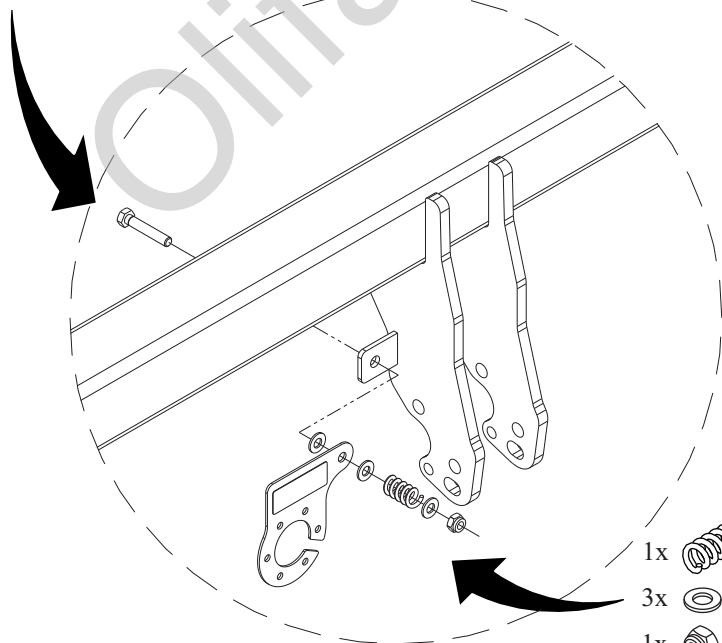


05

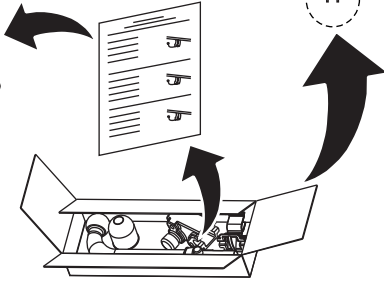
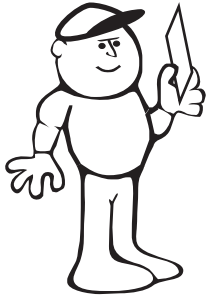
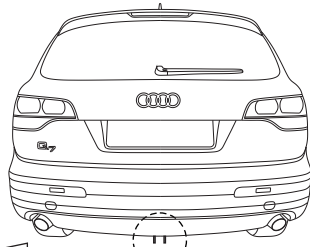
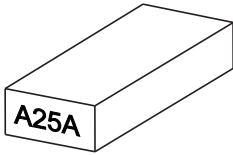


06

1x  M8x45mm



- 1x 
- 3x   $\varnothing 8,4\text{mm}$
- 1x  M8(DIN985)



Olifant trekhaken