

AUTO-HAK Sp. z o.o.

ul. Słoneczna 16K 76-200 SŁUPSK
POLAND

tel/fax +48 59 8 414 414; +48 59 8 414 413

e-mail: office@autohak.com.pl

www.autohak.com.pl



AUTO-HAK

AUDI A4

4D, Quattro (B8), ~~S-Line/S4~~

⌚ 11.2007 → 09.2015

AUDI A4 AVANT

Kombi, Quattro (B8), ~~S-Line/S4~~

⌚ 04.2008 → 09.2015

AUDI A5

Coupe, Sportback (8T), Quattro ~~S-Line, S5, R55~~

⌚ 06.2007 → 06.2016

Nr kat.

A23A



1,5h



E20-55R-01 3996



D

11,0 kN

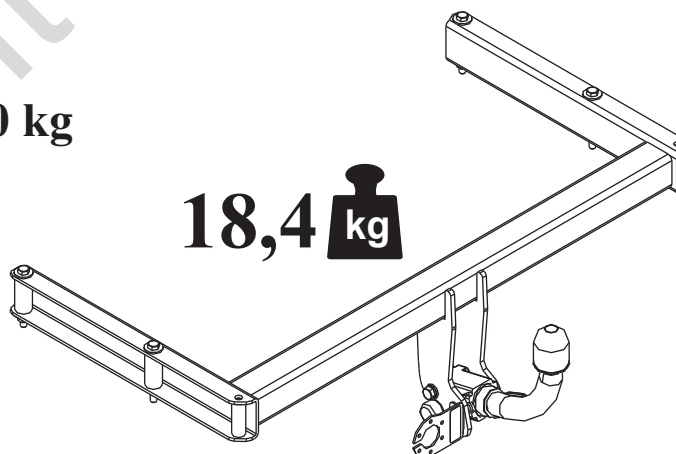


R=2145 kg



S=90 kg

18,4 kg



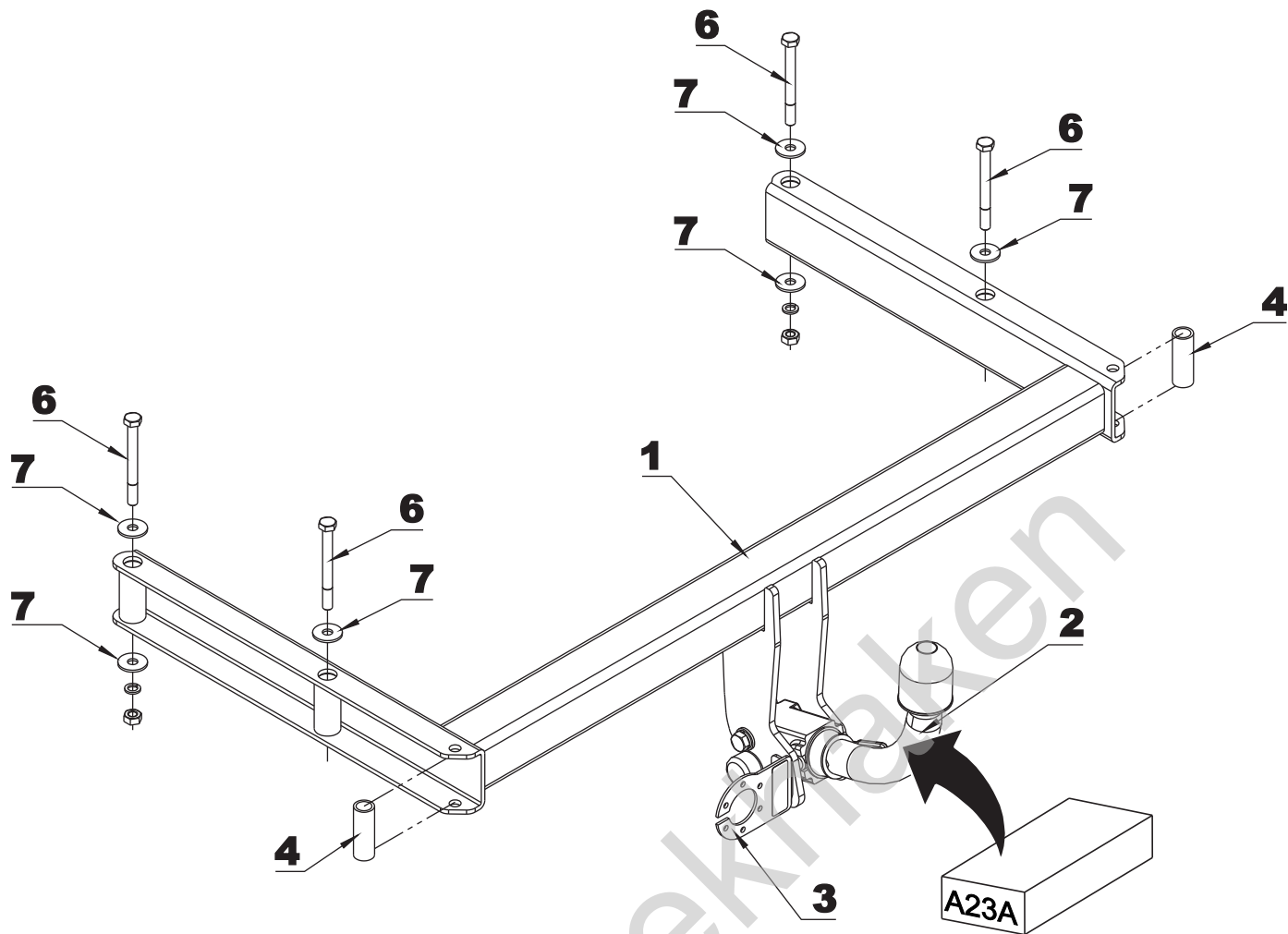
śruba	Nm	M6	M8	M10	M12	M14	M16
klasa 8.8		9,9	24	48	83	132	200
klasa 10.9		14	34	67	117	185	285

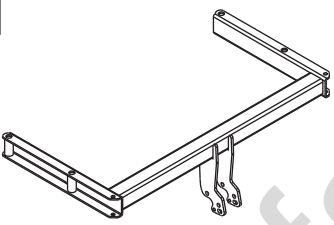
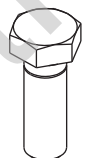
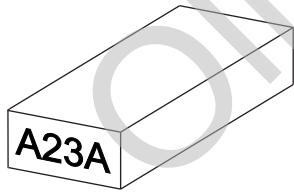

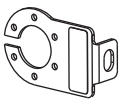

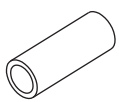
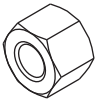



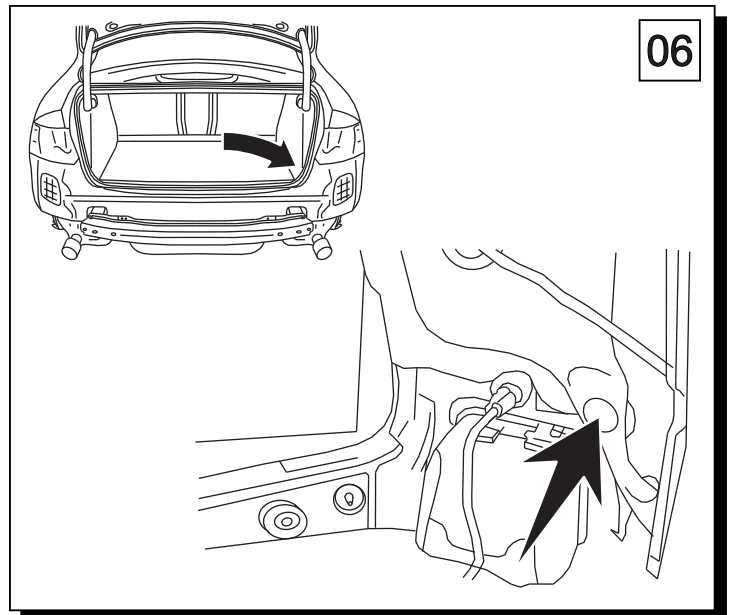
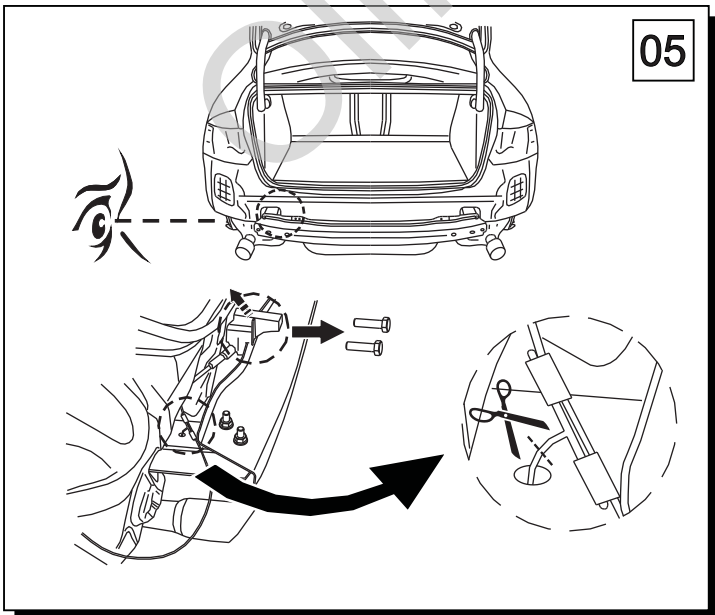
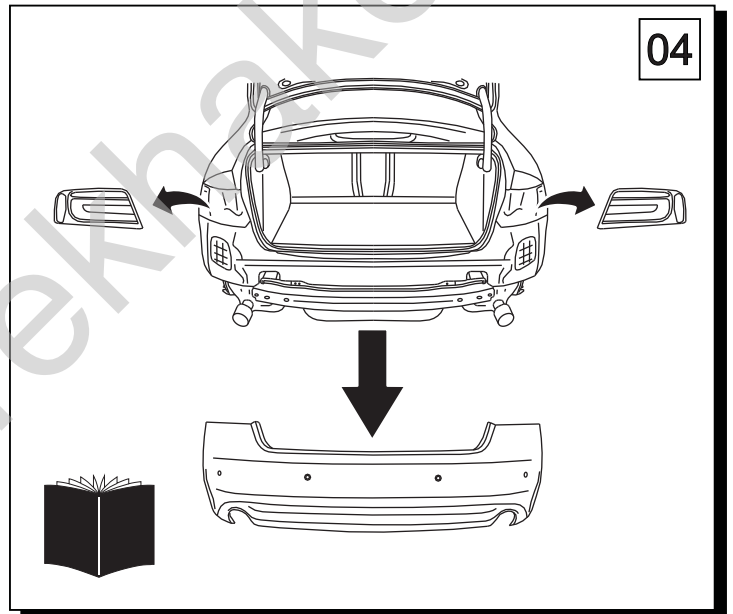
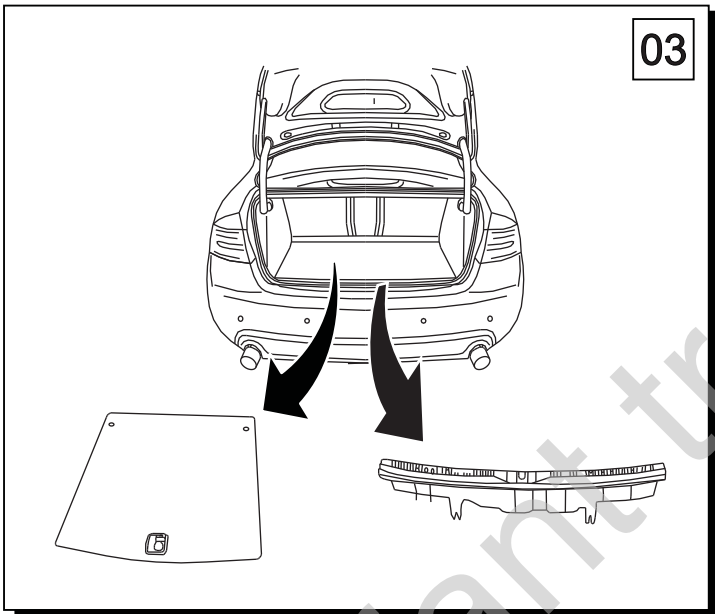
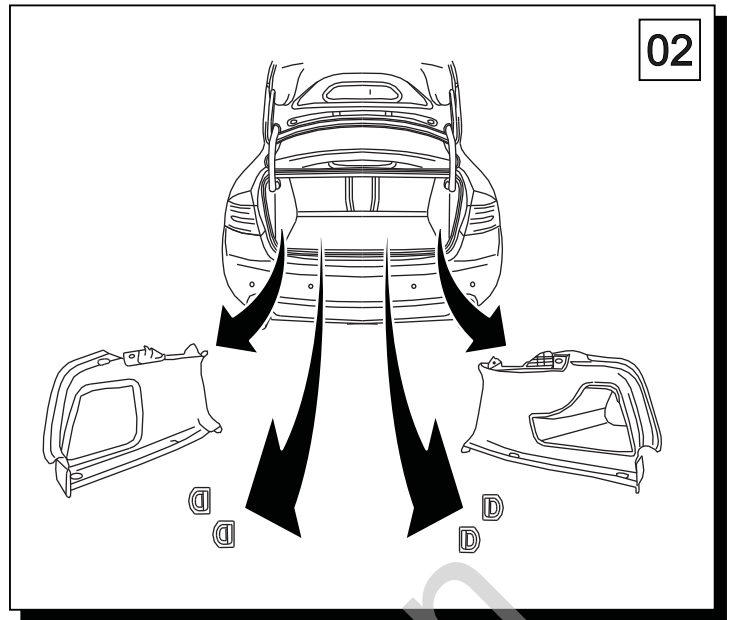
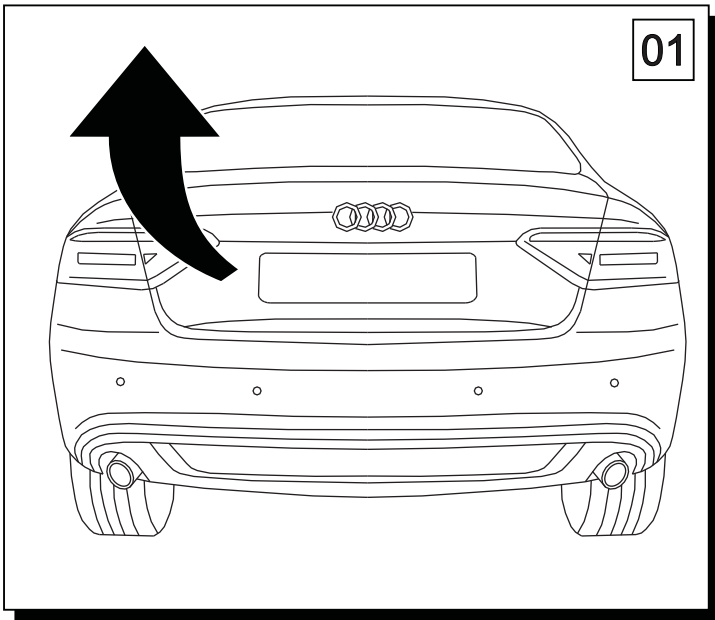
0 km →

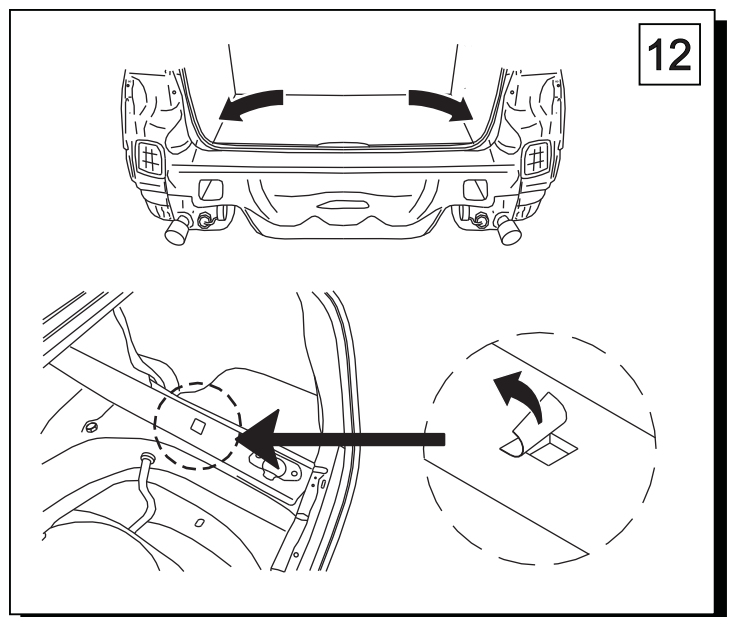
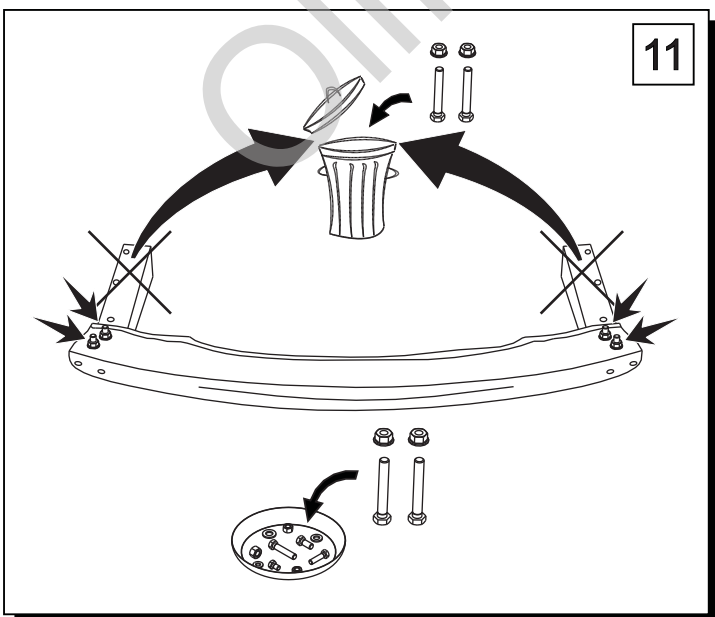
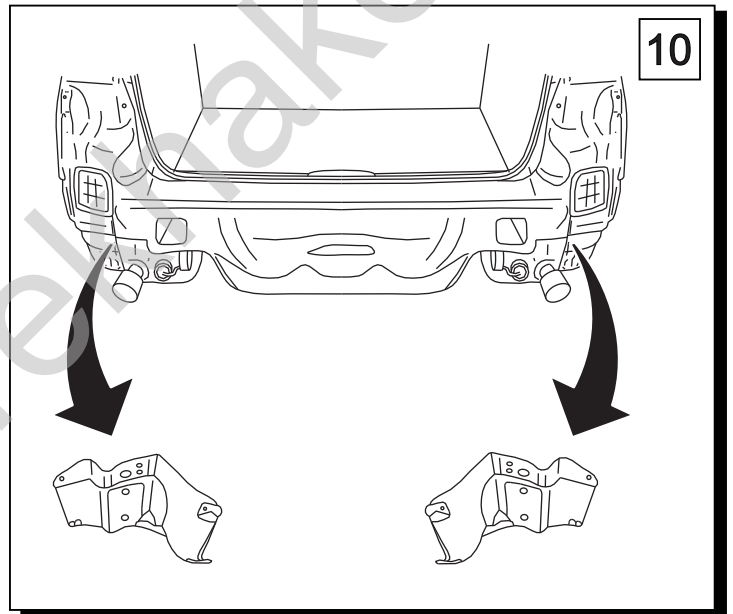
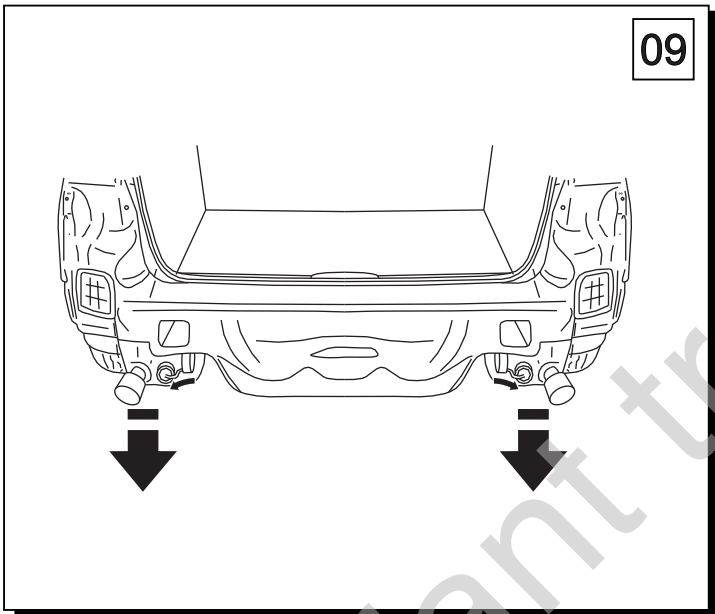
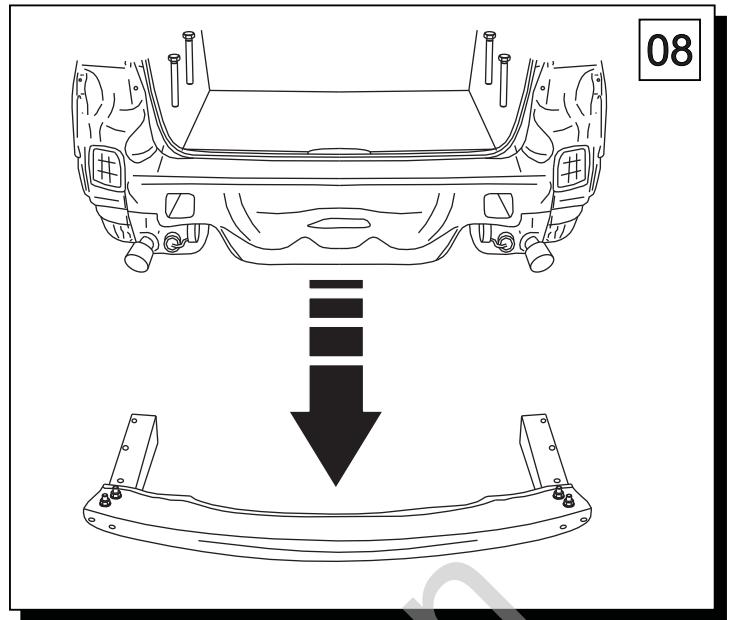
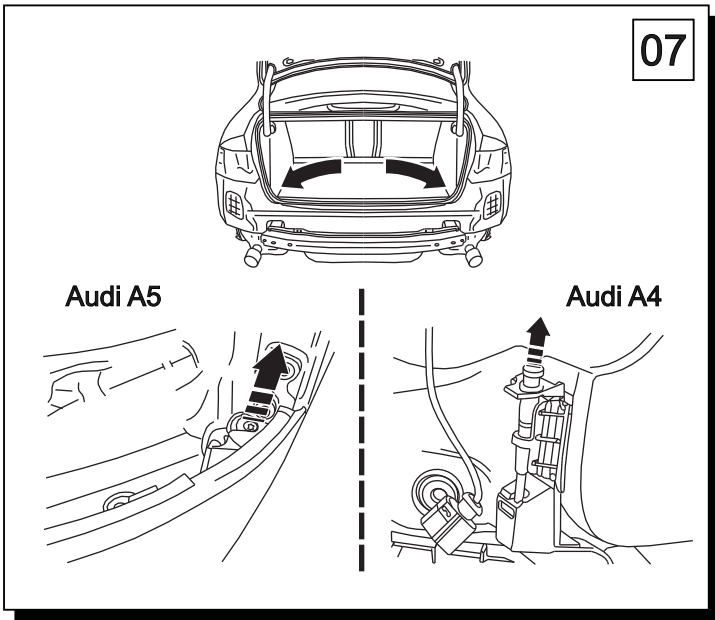


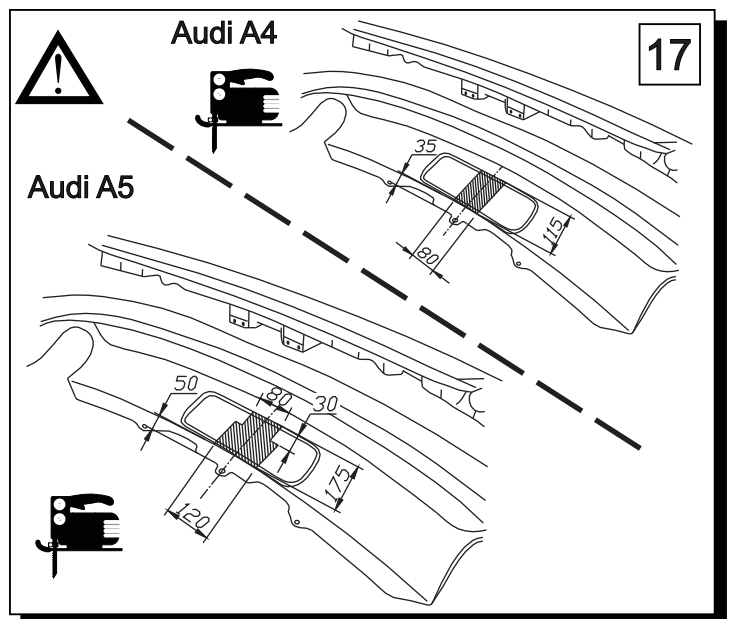
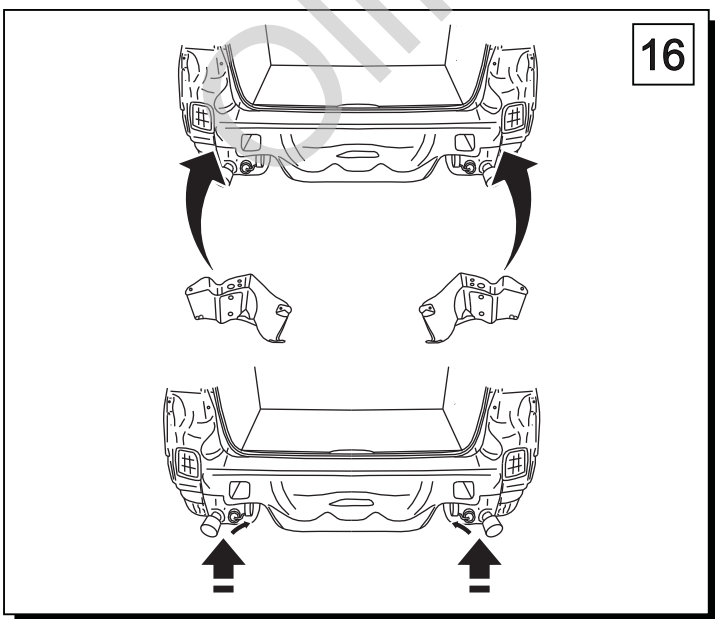
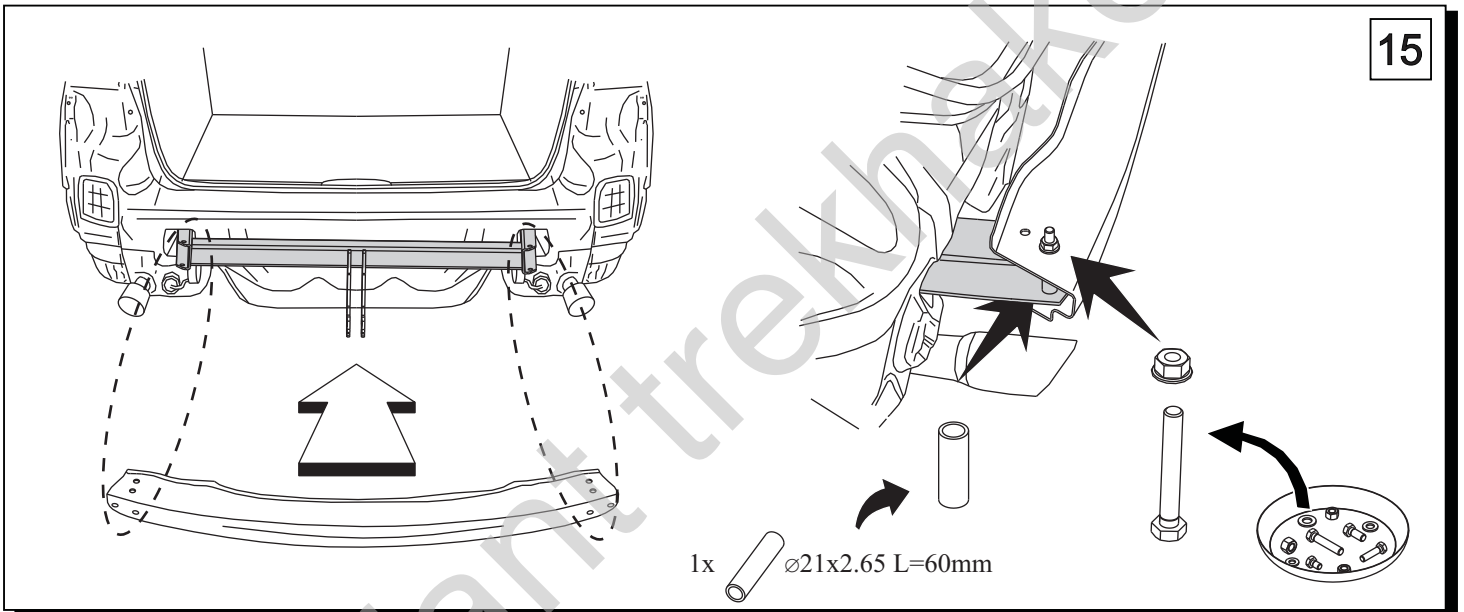
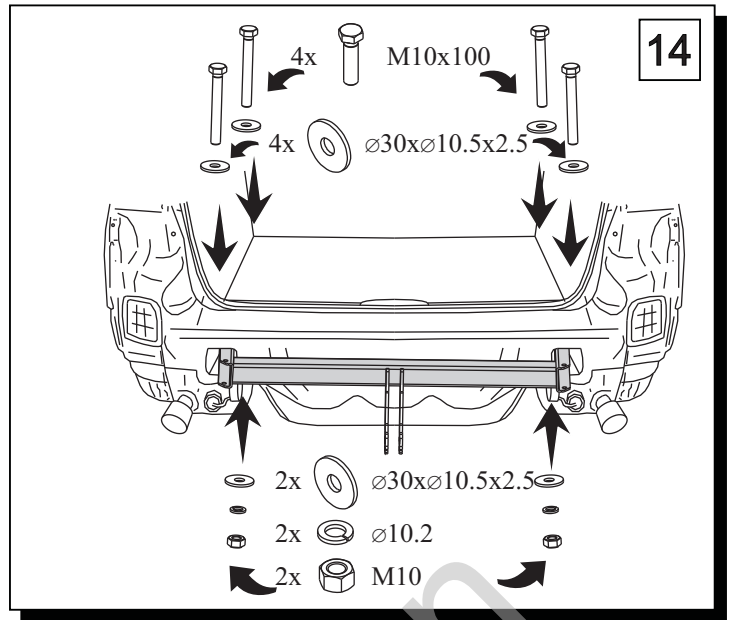
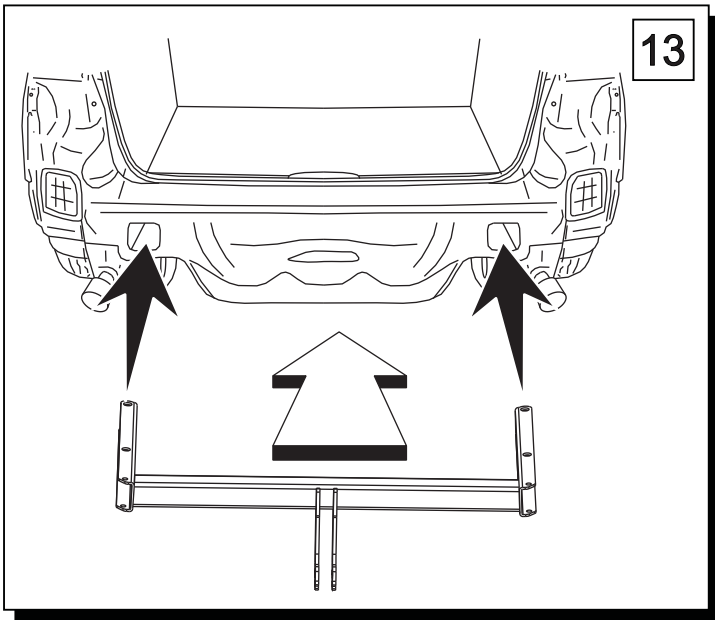
1000 km

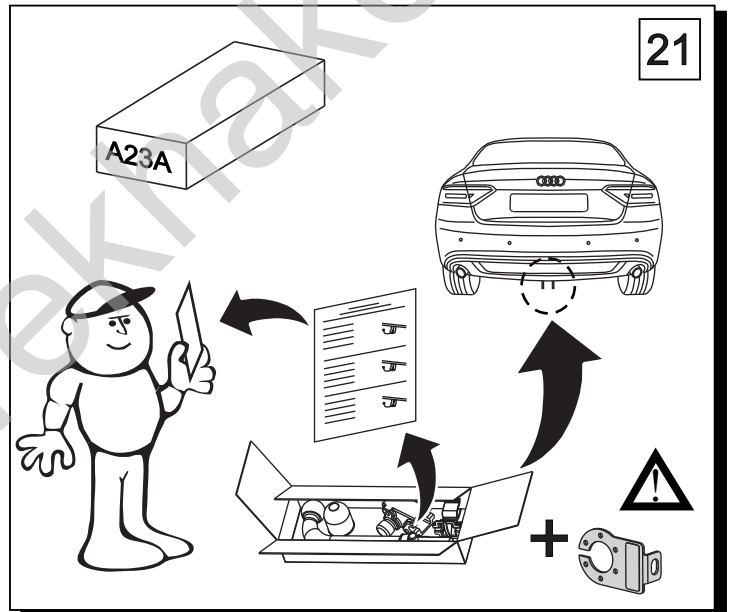
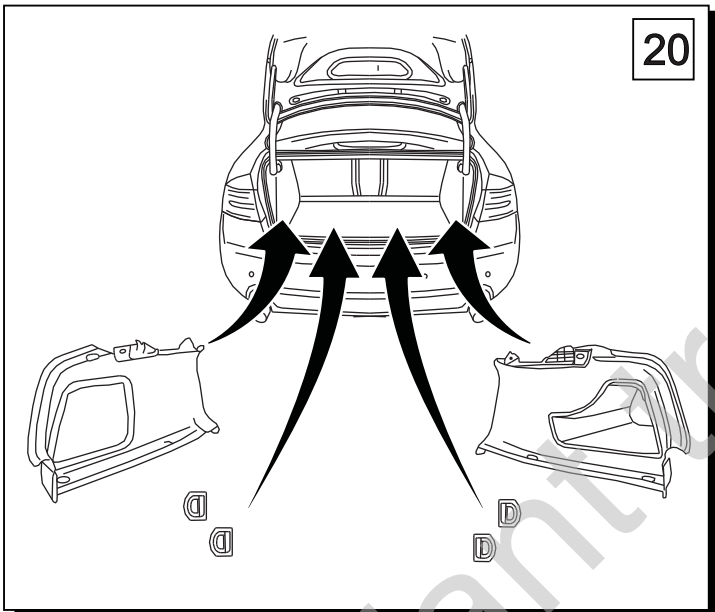
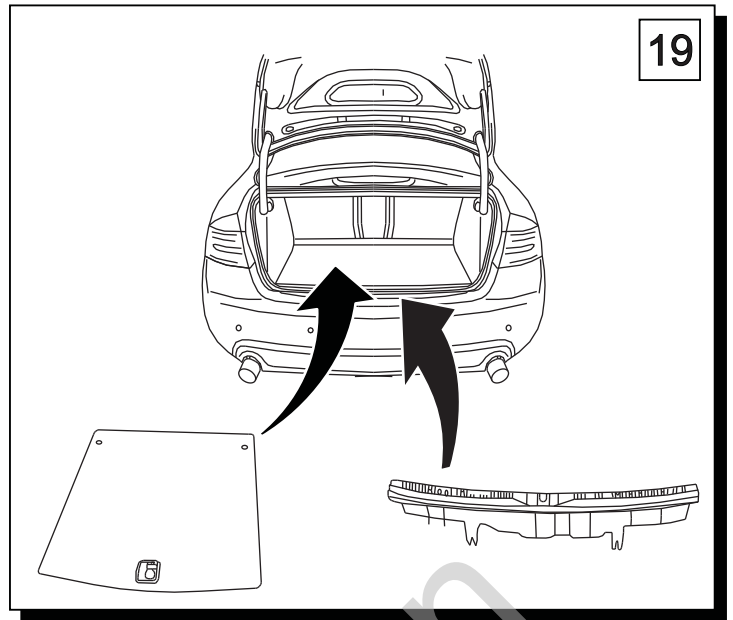
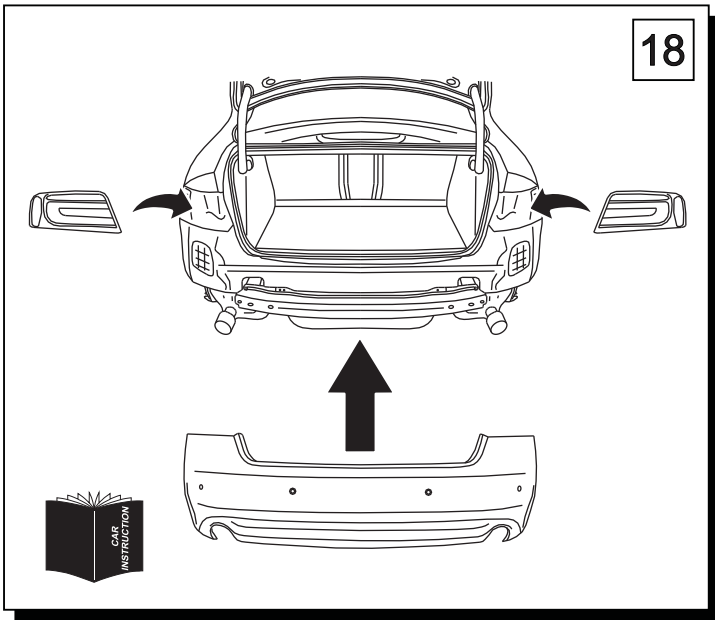



1 	x 1		6 M10x100	x 4
2 	x 1		7 $\varnothing 30 \times \varnothing 10.5 \times 2.5$ 10 (DIN 9021)	x 6
3 	x 1		8 $\varnothing 10.2$	x 2
4 	x 2		9 M10	x 2
5 	x 1			
Art.nr-KL1A23A				
Art.nr-BL1A23A				











	M6	-	11 Nm	M8	-	25 Nm
	M10	-	50 Nm	M12	-	87 Nm
	M14	-	138 Nm	M16	-	210 Nm

 0 km →  1000 km