

# AUTO-HAK Sp. z o.o.

ul. Słoneczna 16K 76-200 SŁUPSK  
POLAND

tel/fax +48 59 8 414 414; +48 59 8 414 413

e-mail: [office@autohak.com.pl](mailto:office@autohak.com.pl)

[www.autohak.com.pl](http://www.autohak.com.pl)



# AUTO-HAK

## AUDI A4

4D, Quattro (B8), ~~S-Line/S4~~

⌚ 11.2007 → 09.2015

## AUDI A4 AVANT

Kombi, Quattro (B8), ~~S-Line/S4~~

⌚ 04.2008 → 09.2015

## AUDI A5

Coupe, Sportback (8T), Quattro ~~S-Line, S5, R55~~

⌚ 06.2007 → 06.2016

Nr kat.

A23



1,5h

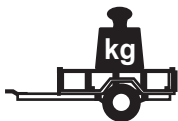


E20-55R-01 3995



D

11,0 kN

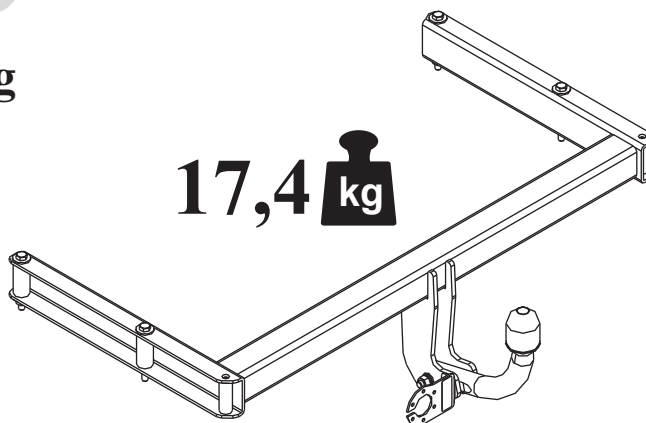


R=2145 kg



S=90 kg

17,4 kg



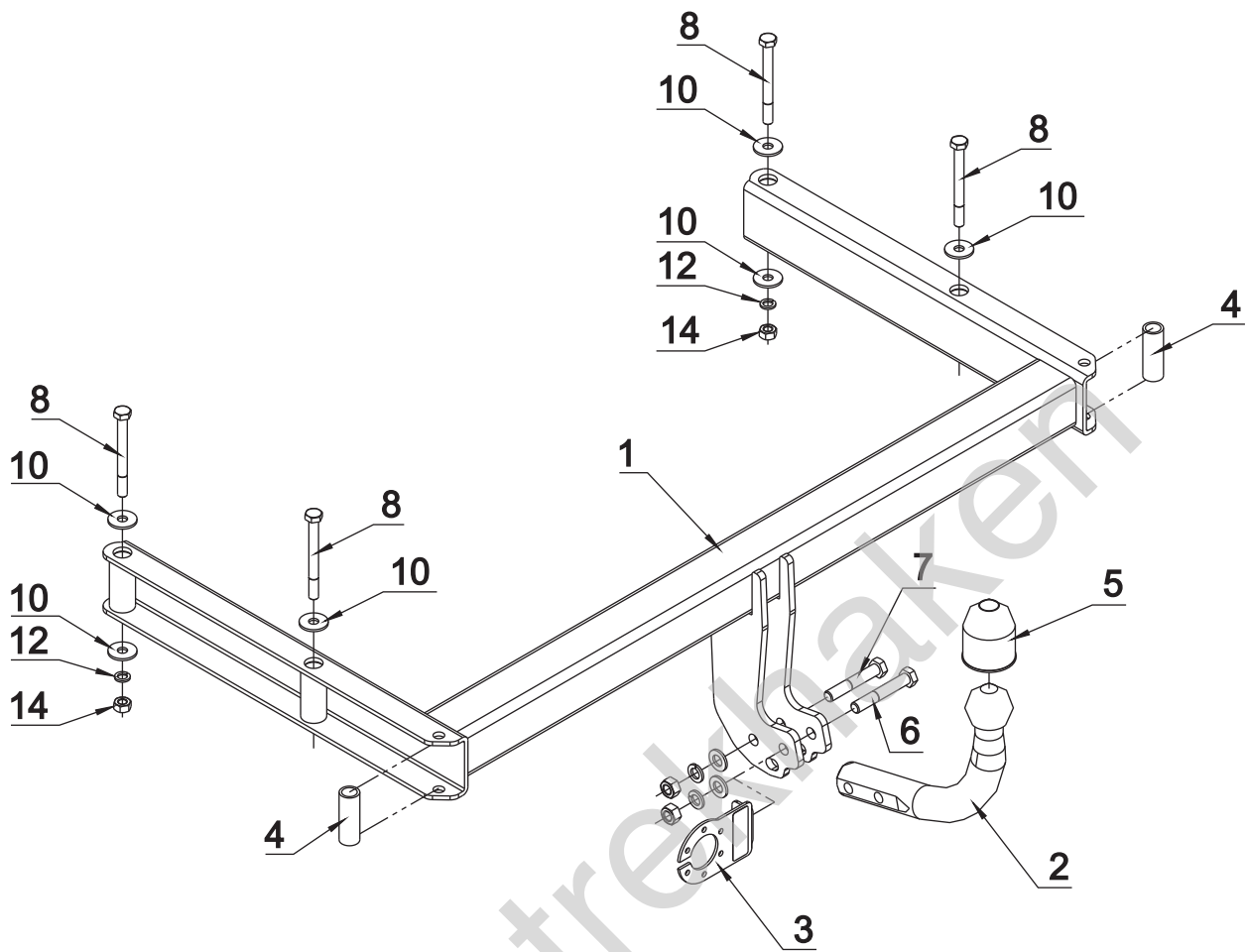
śruba	Nm	M6	M8	M10	M12	M14	M16
klasa 8.8		9,9	24	48	83	132	200
klasa 10.9		14	34	67	117	185	285

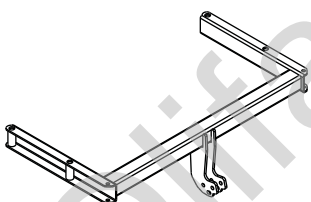
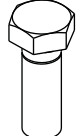
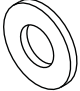






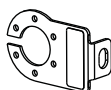


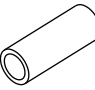
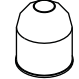


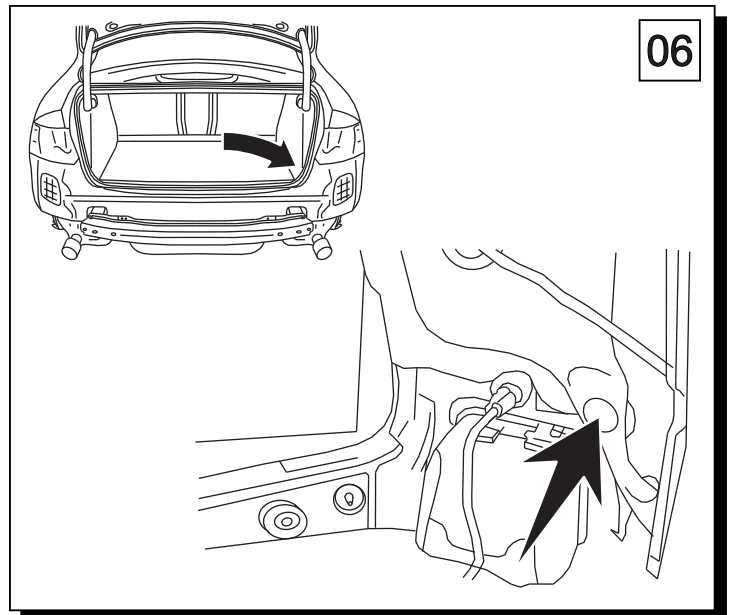
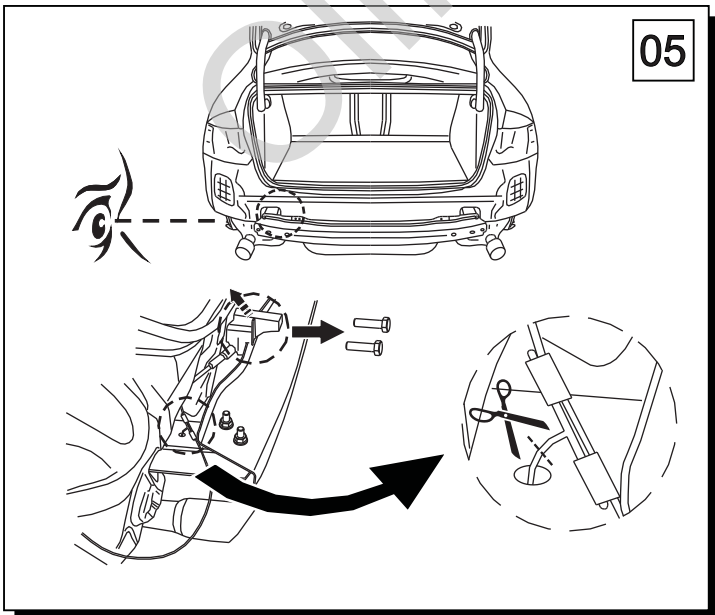
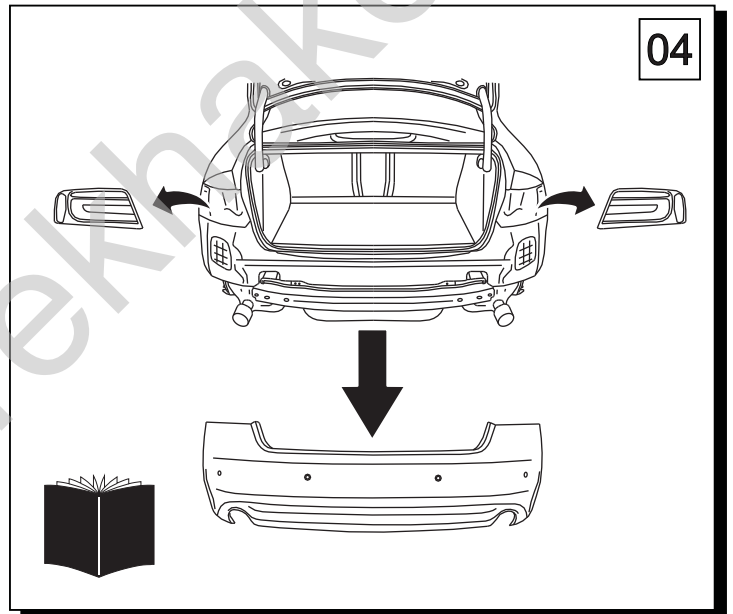
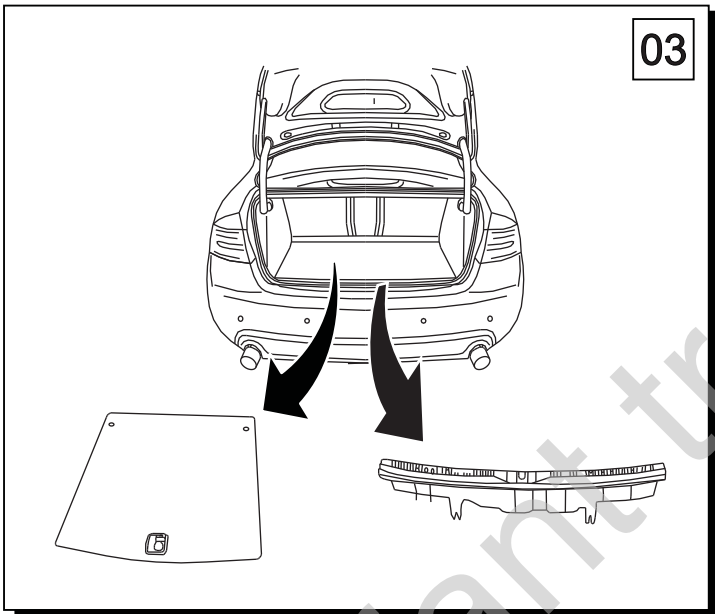
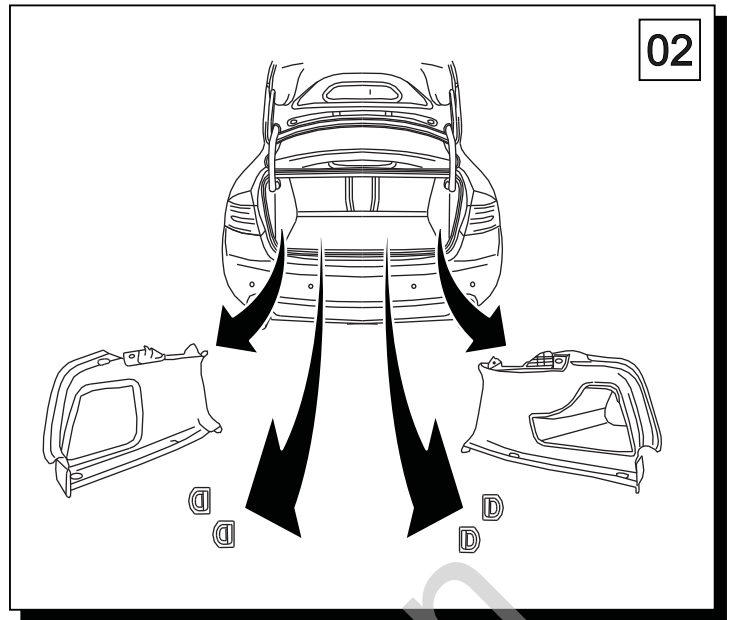
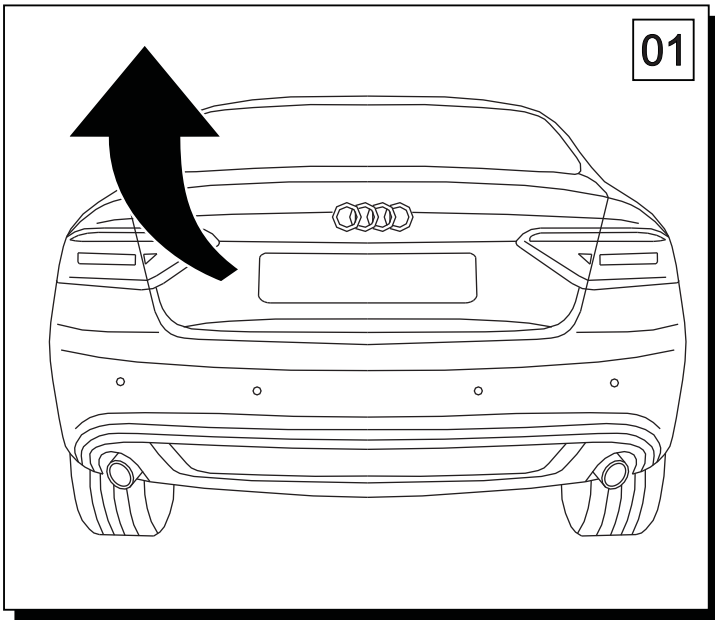
0 km →

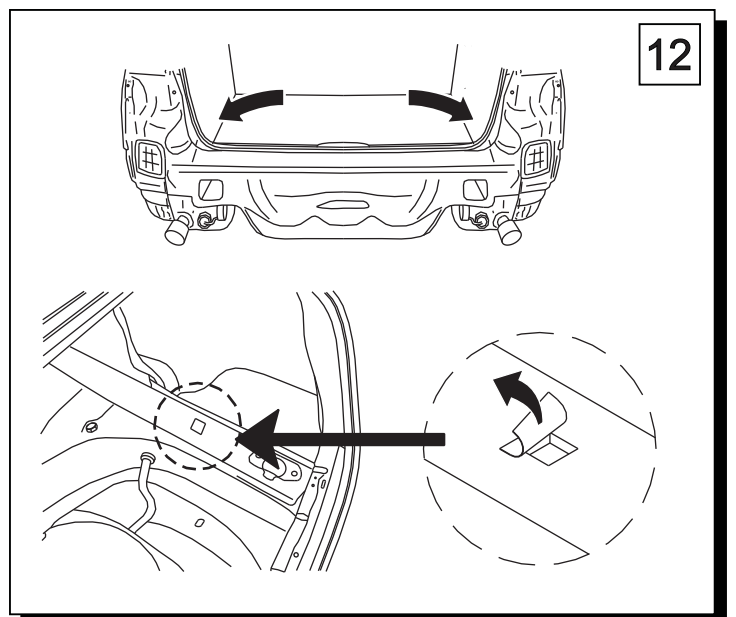
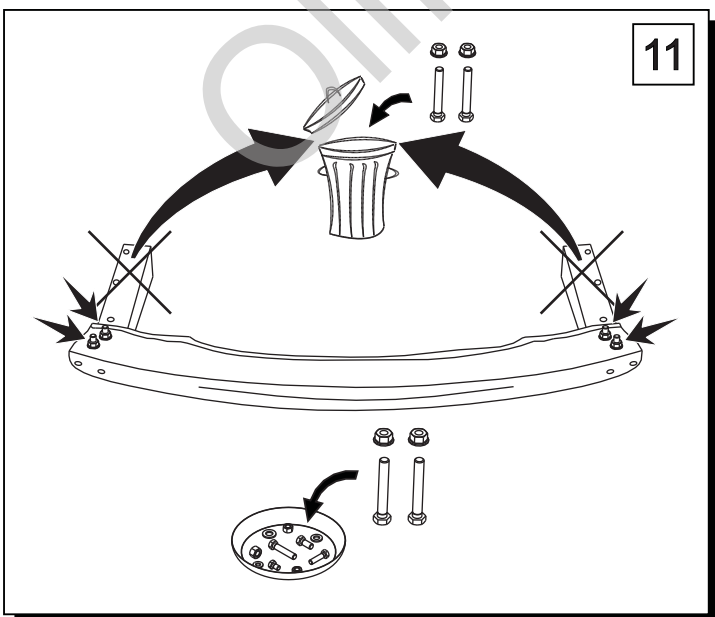
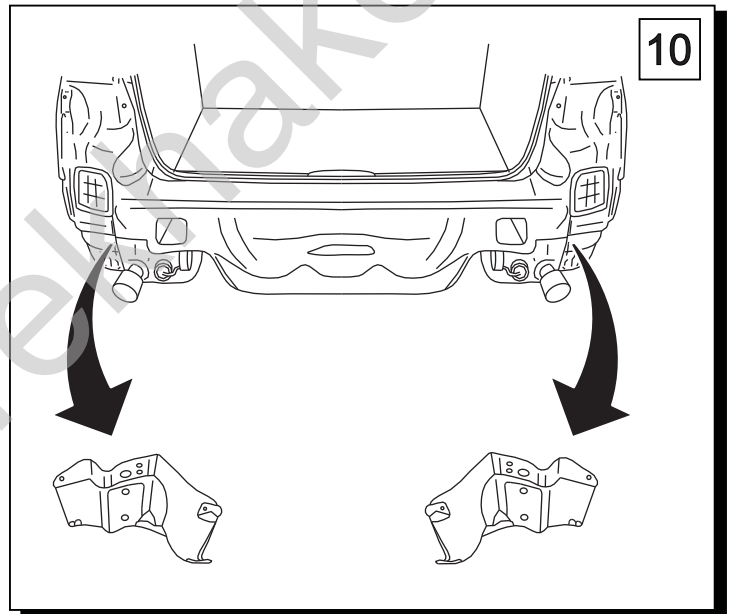
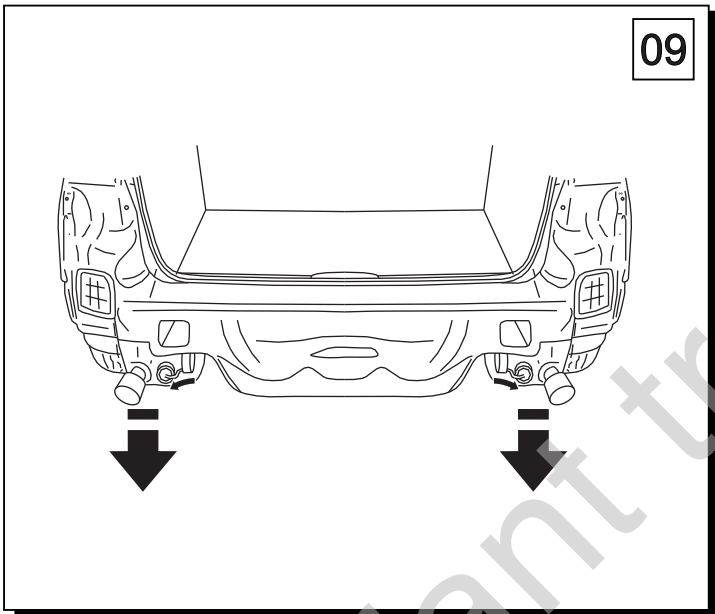
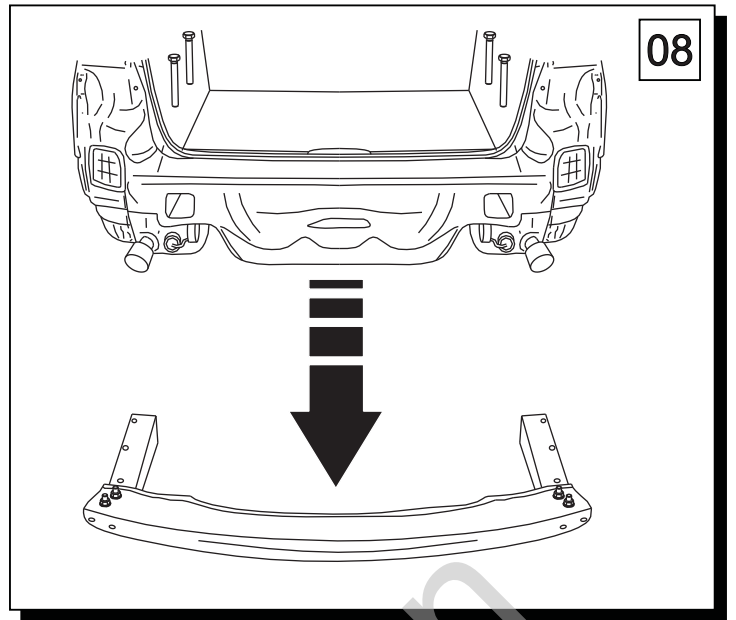
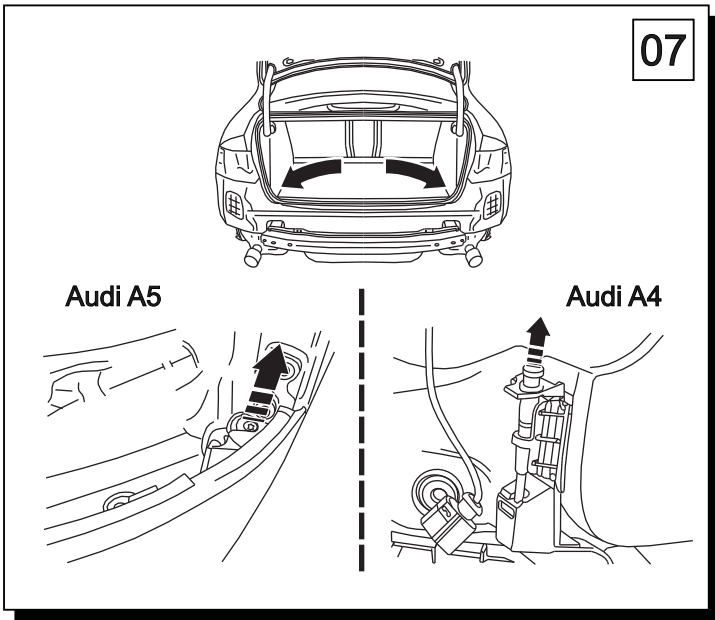


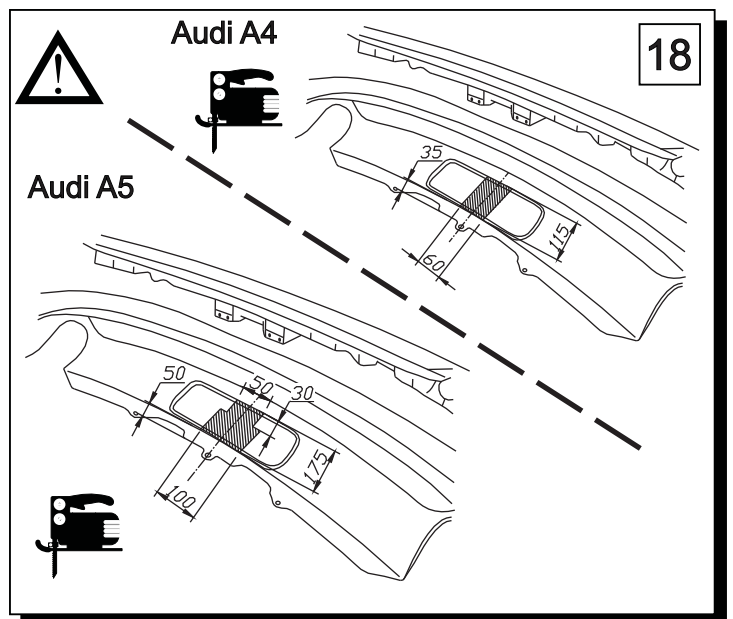
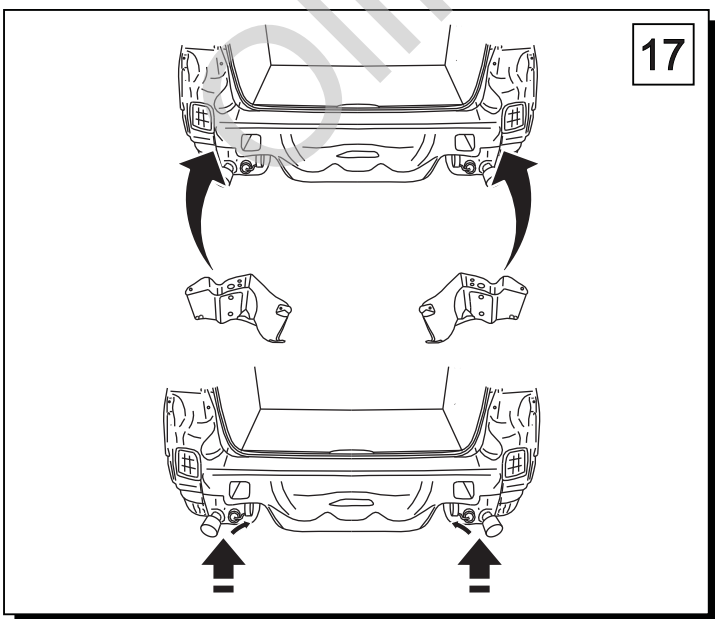
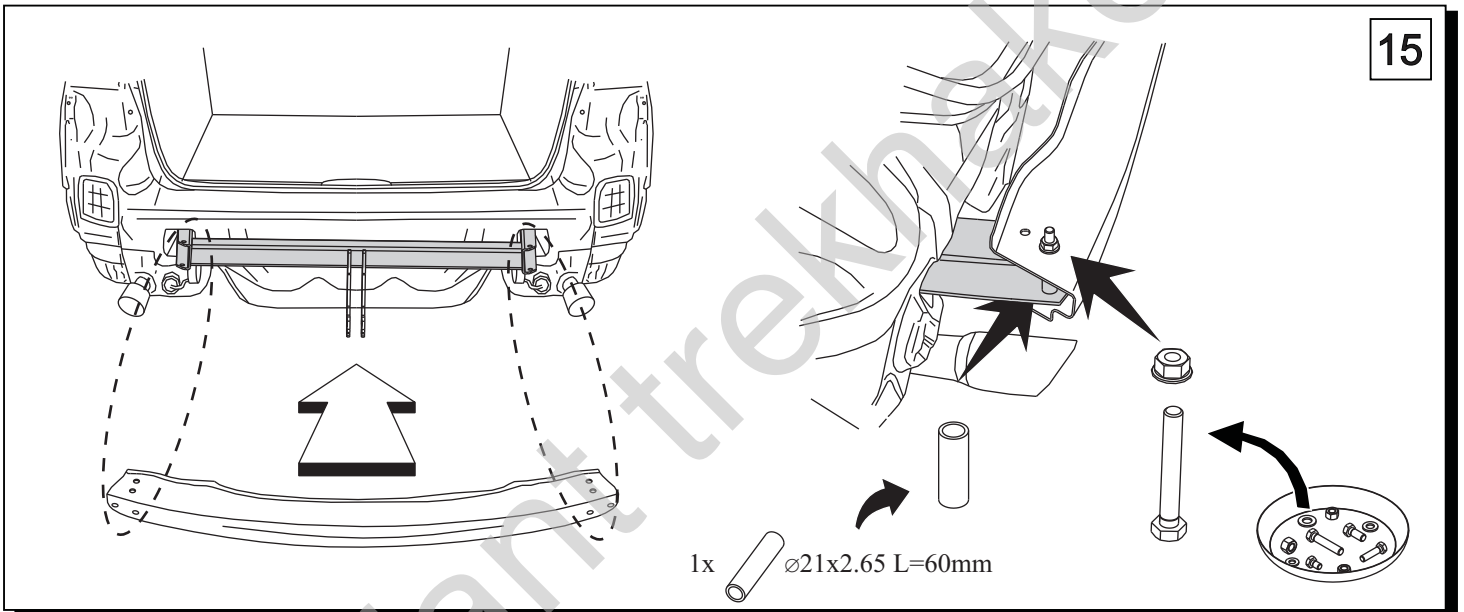
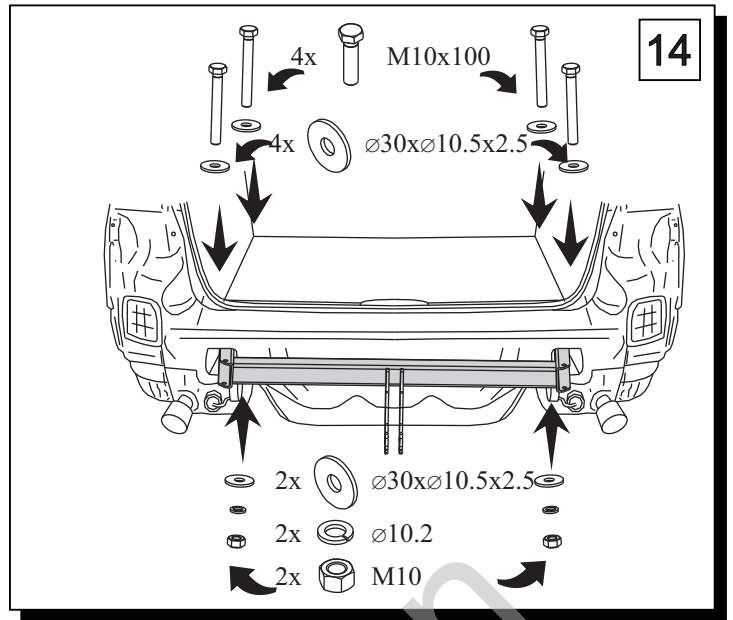
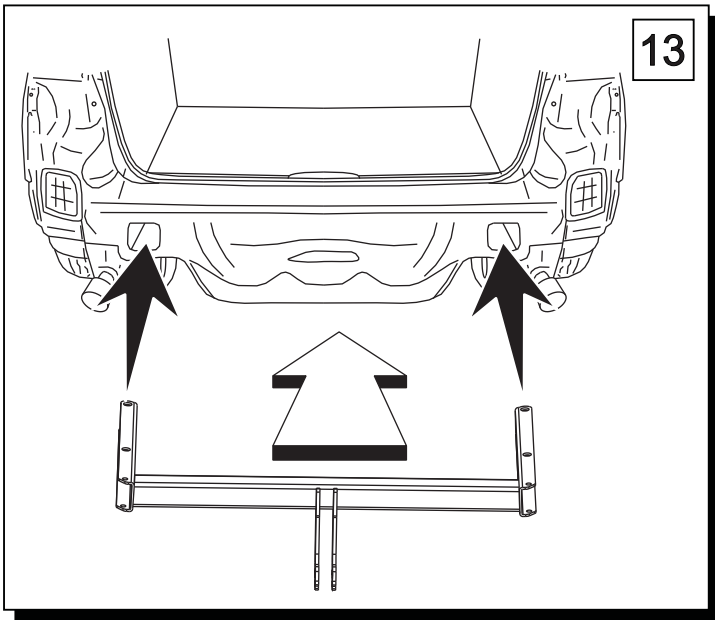
1000 km

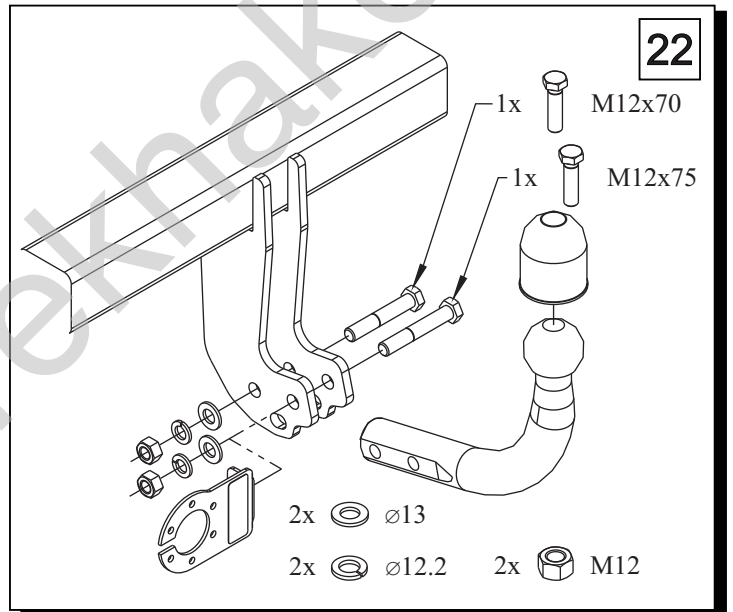
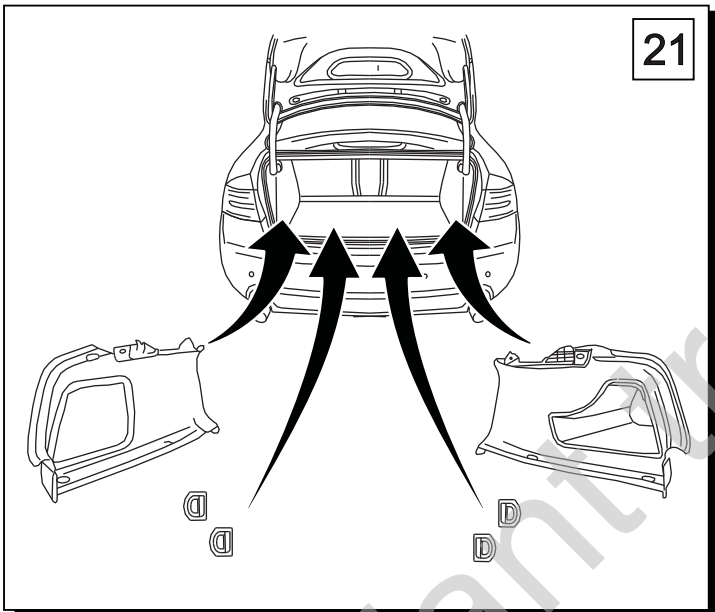
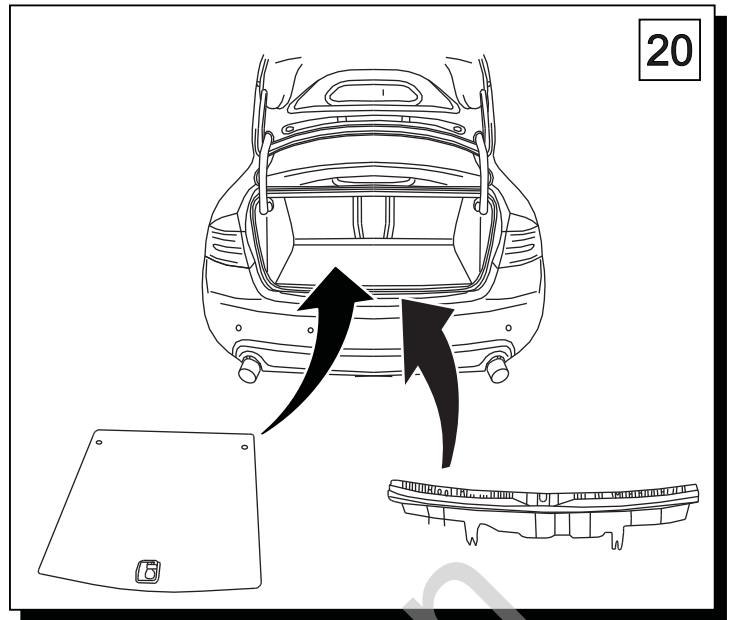
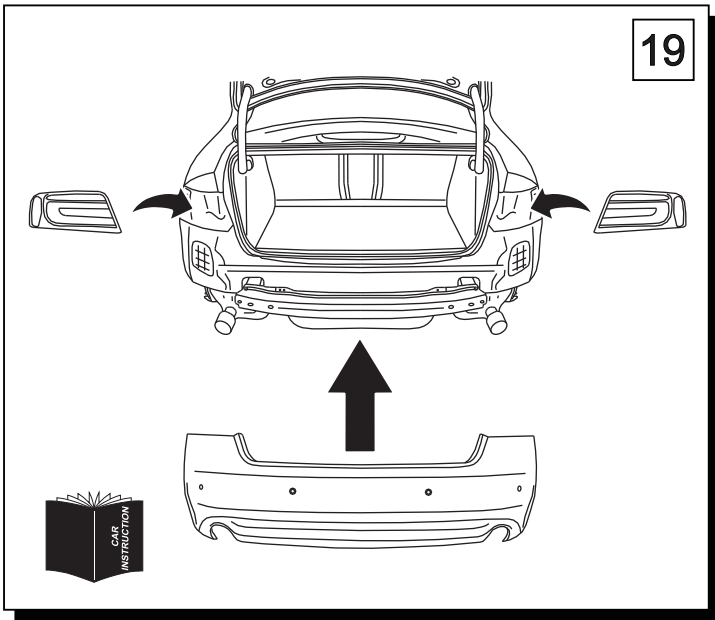



<b>1</b>		<b>x1</b>		<b>6</b> M12x75	<b>x1</b>
				<b>7</b> M12x70	<b>x1</b>
				<b>8</b> M10x100	<b>x4</b>
				<b>9</b> $\varnothing$ 13	<b>x2</b>
				<b>10</b> $\varnothing$ 30x $\varnothing$ 10.5x2.5 10 (DIN 9021)	<b>x6</b>
<b>2</b>		<b>x1</b>		<b>11</b> $\varnothing$ 12.2	<b>x2</b>
	Art.nr-KL1A23			<b>12</b> $\varnothing$ 10.2	<b>x2</b>
<b>3</b>		<b>x1</b>		<b>13</b> M12	<b>x2</b>
	Art.nr-BL1A23			<b>14</b> M10	<b>x2</b>
<b>4</b>		<b>x2</b>			
<b>5</b>		<b>x1</b>			









M6	-	11 Nm	M8	-	25 Nm
M10	-	50 Nm	M12	-	87 Nm
M14	-	138 Nm	M16	-	210 Nm

 0 km  $\rightarrow$   1000 km