

# AUTO-HAK Sp. z o.o.

ul. Słoneczna 16K 76-200 SŁUPSK  
POLAND

tel/fax +48 59 8 414 414; +48 59 8 414 413

e-mail: [office@autohak.com.pl](mailto:office@autohak.com.pl)

[www.autohak.com.pl](http://www.autohak.com.pl)



# AUTO-HAK



**AUDI A3 5D SPORTBACK**  
5D, (8P) Quattro, S-line

Cat. no:

**A22**



09.2004 → 06.2008

e20

e20\*94/20\*0594\*00

D

9,6 kN



2h



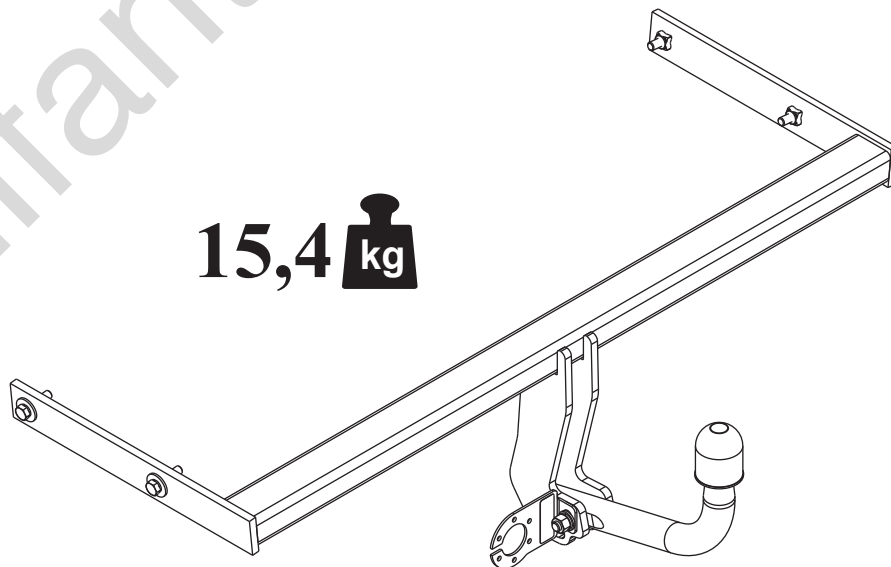
R=1800 kg

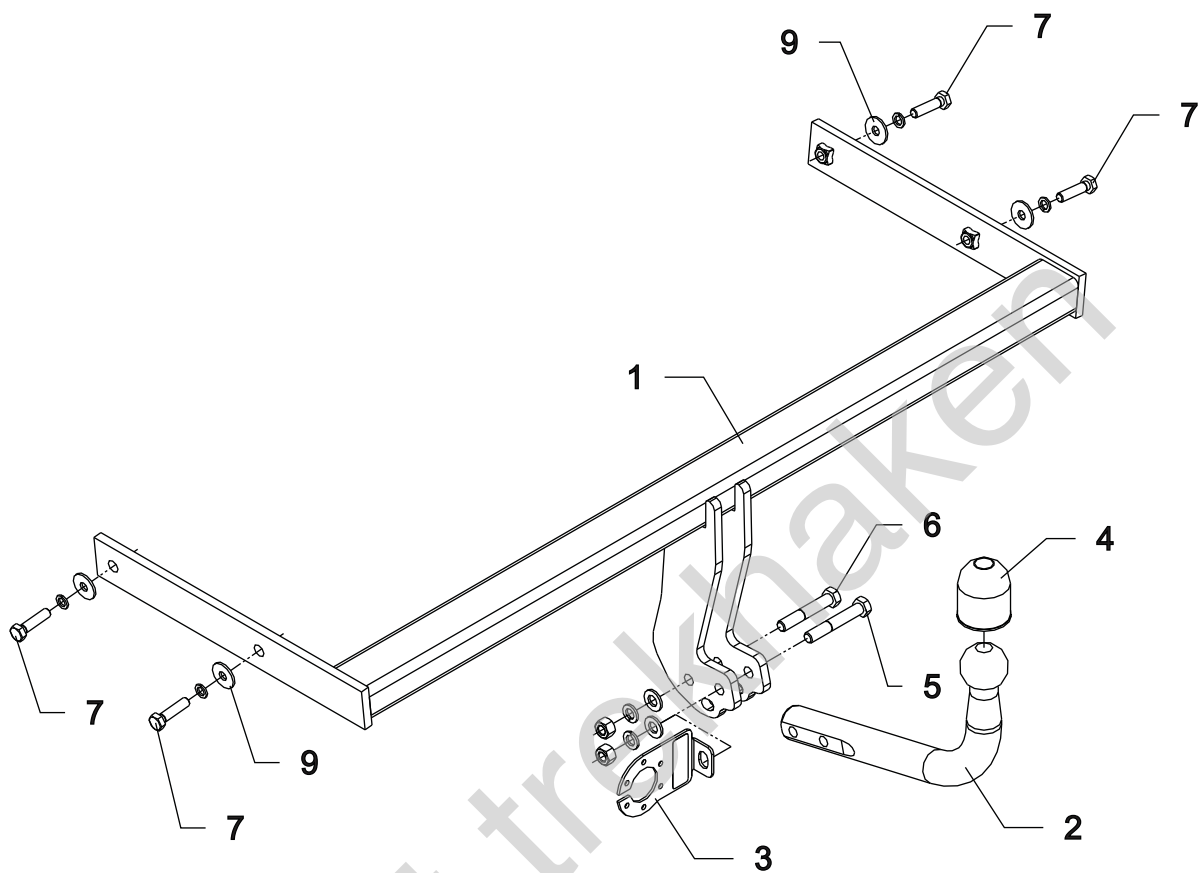


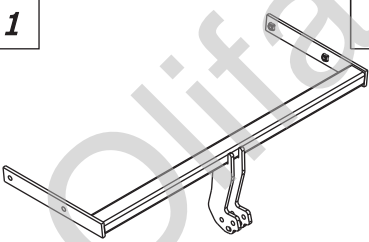



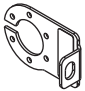
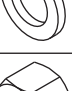


S=75 kg

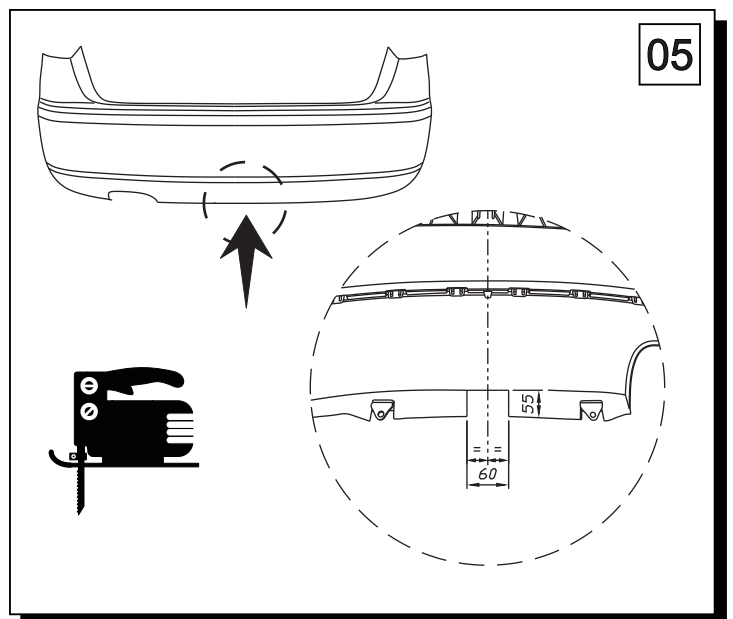
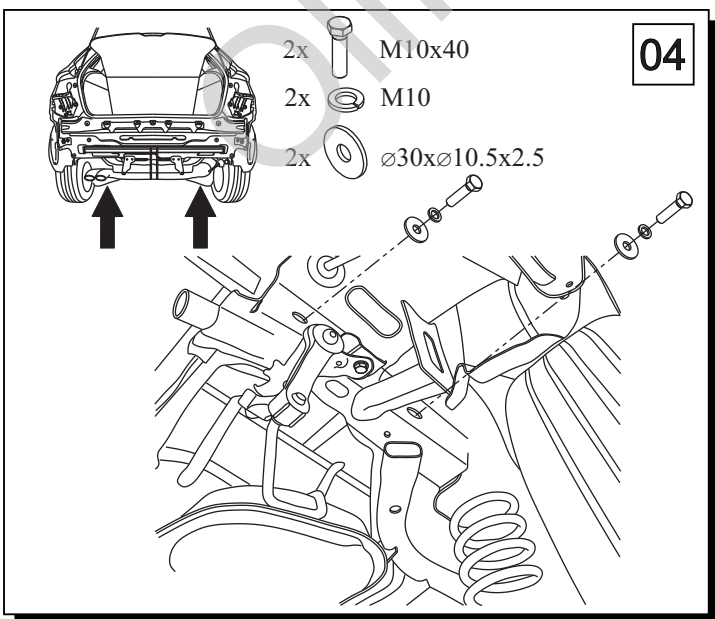
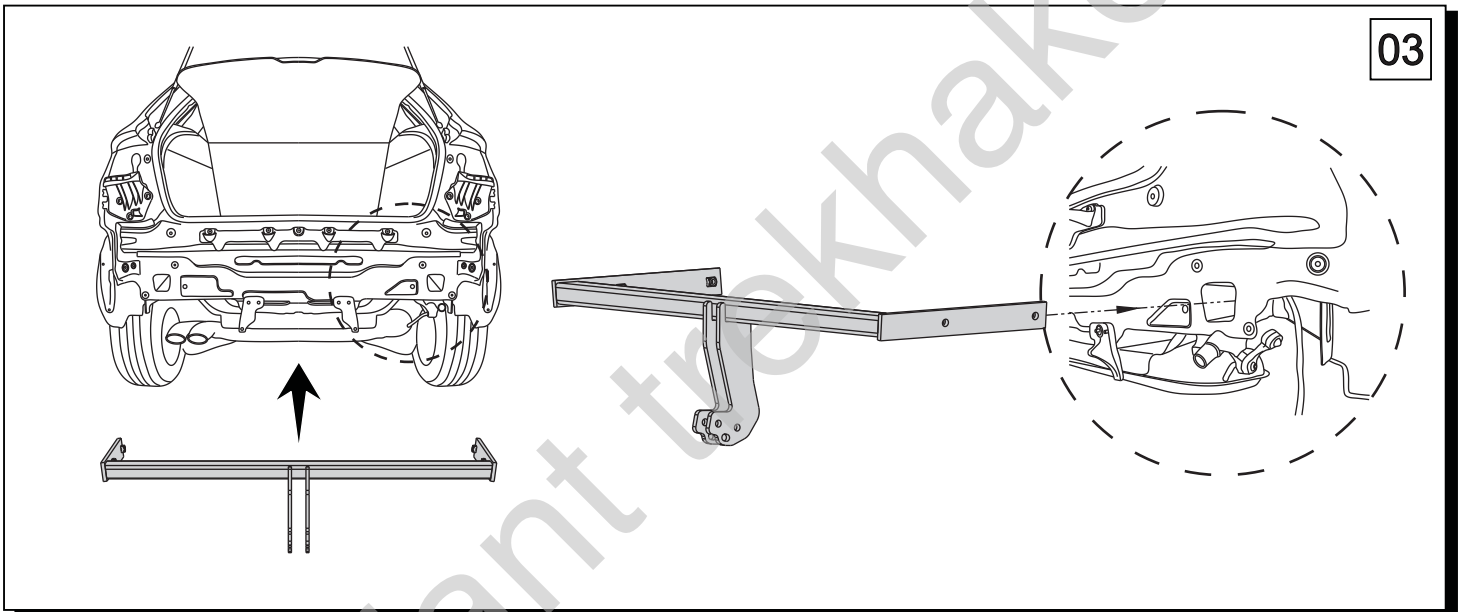
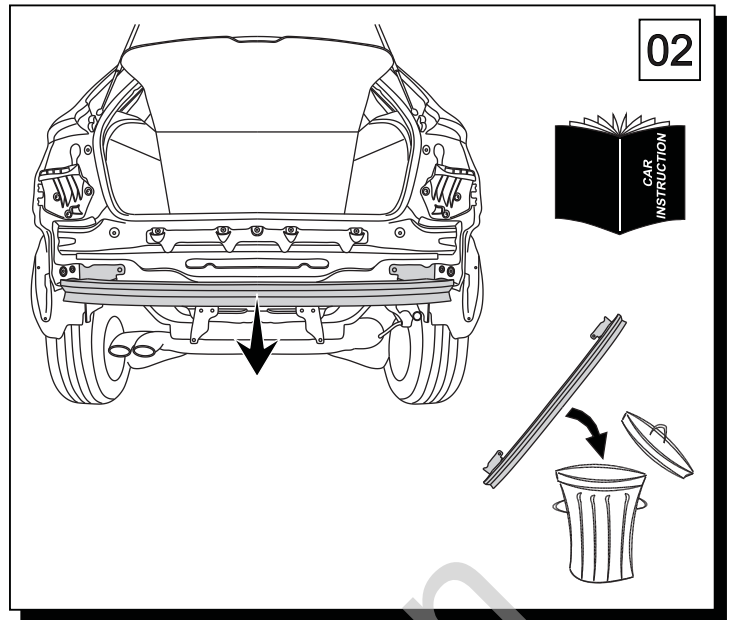
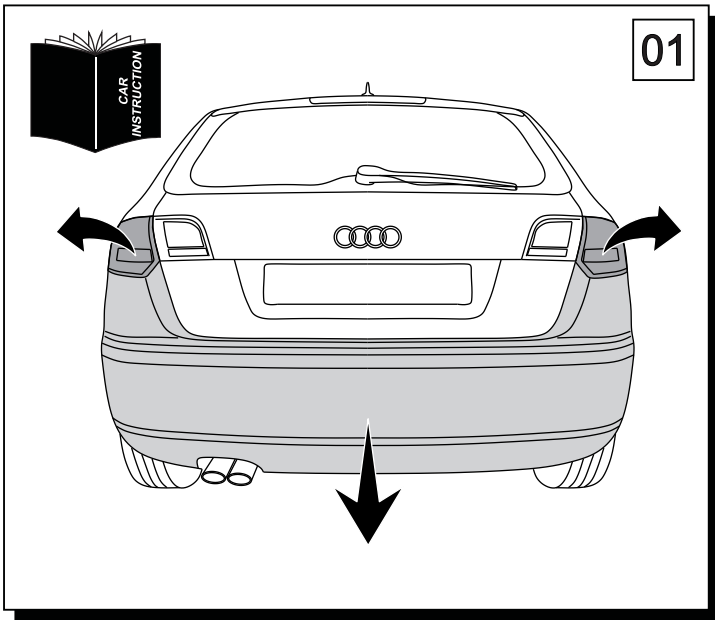


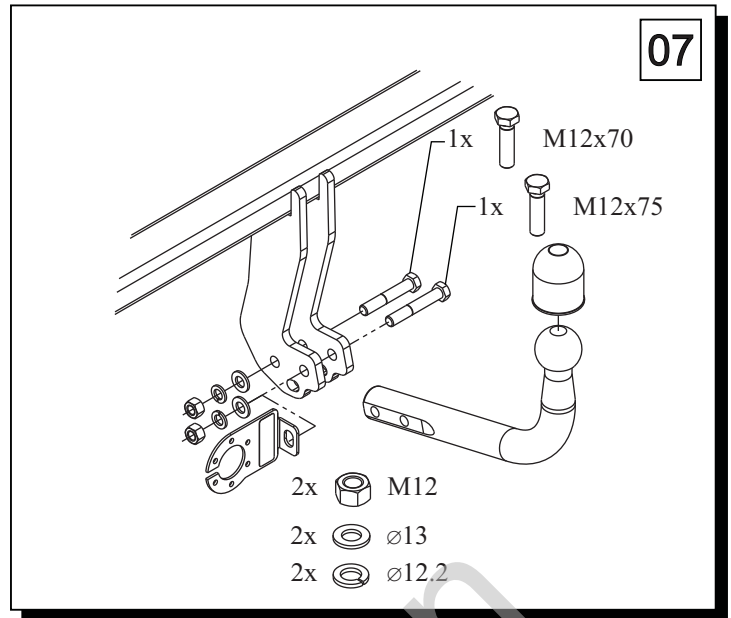
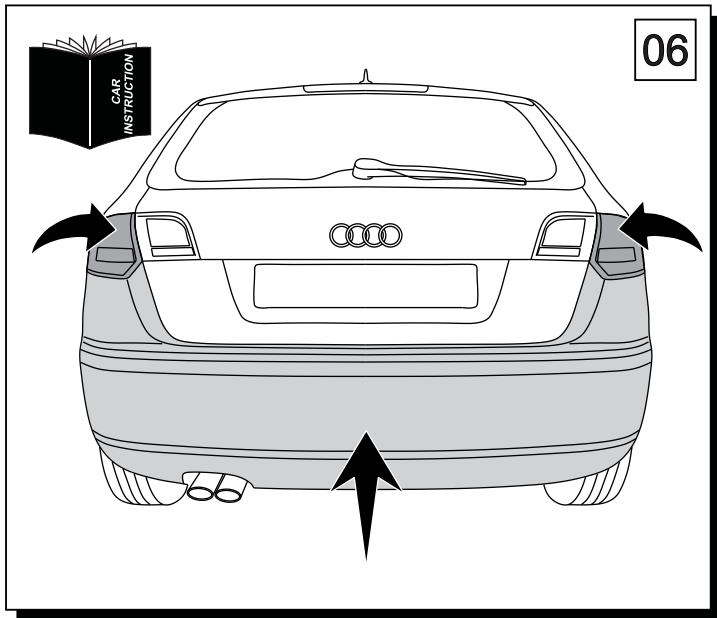

15,4 kg







<b>1</b> 	<b>x 1</b>		<b>5</b> M12x75	<b>x 1</b>
			<b>6</b> M12x70	<b>x 1</b>
			<b>7</b> M10x40	<b>x 4</b>
			<b>8</b> $\varnothing$ 13	<b>x 2</b>
<b>2</b> 	<b>x 1</b> Art.nr-KL1A22		<b>9</b> $\varnothing$ 30x $\varnothing$ 10.5x2.5	<b>x 4</b>
			<b>10</b> $\varnothing$ 12.2	<b>x 2</b>
<b>3</b> 	<b>x 1</b> Art.nr-BL1A22		<b>11</b> $\varnothing$ 10.2	<b>x 4</b>
			<b>12</b> M12	<b>x 2</b>
<b>4</b> 	<b>x 1</b>			



<b>M6</b>	-	11 Nm	<b>M8</b>	-	25 Nm
<b>M10</b>	-	50 Nm	<b>M12</b>	-	87 Nm
<b>M14</b>	-	138 Nm	<b>M16</b>	-	210 Nm


**0 km** → 
**1000 km**