

AUTO-HAK Sp. z o.o.

ul. Słoneczna 16K 76-200 SŁUPSK
POLAND

tel/fax +48 59 8 414 414; +48 59 8 414 413

e-mail: office@autohak.com.pl

www.autohak.com.pl



AUTO-HAK



AUDI A6
4D, QUATTRO (4F, C6),
S-Line, ~~RS6~~

AUDI A6 AVANT
KOMBI QUATTRO (4F, C6),
S-Line, ~~RS6~~

Cat. no:

A21A



4D - 05.2004 → 03.2011
KOMBI - 03.2005 → 08.2011



2h



E20-55R-01 4287



11,2 kN

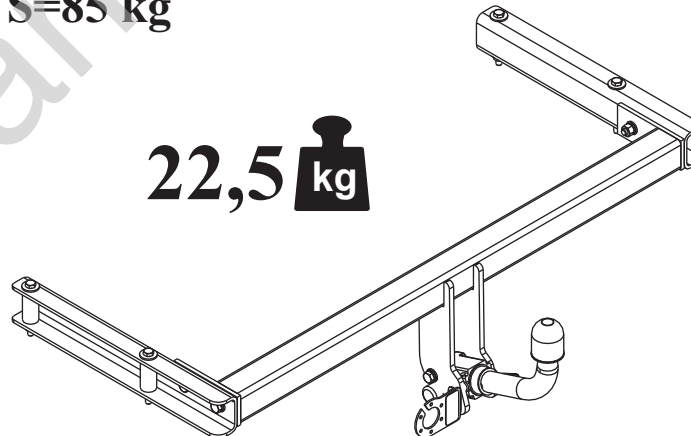


R=2100 kg



S=85 kg

22,5 kg



M6 - 11 Nm
M10 - 50 Nm
M14 - 138 Nm

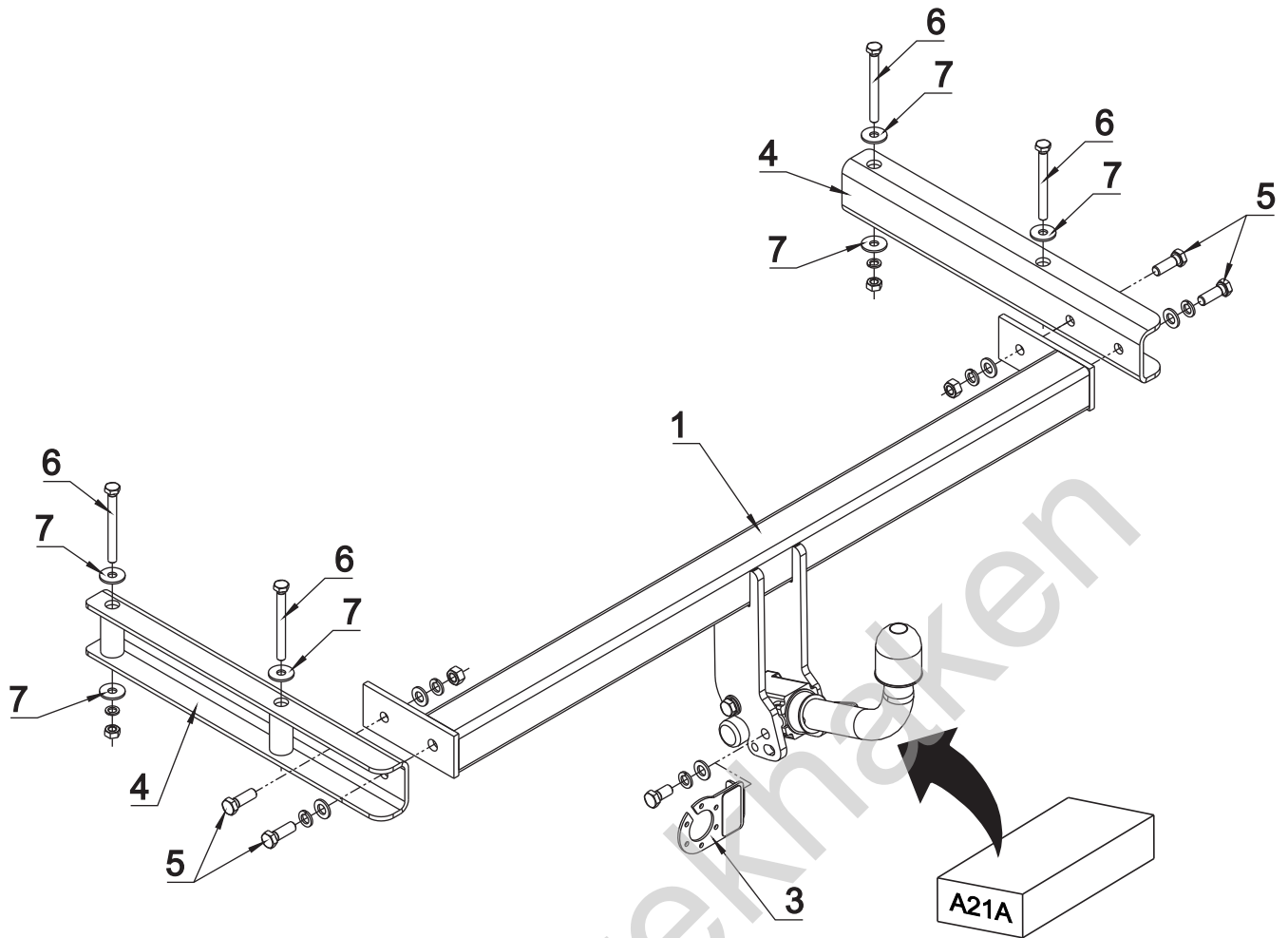
M8 - 25 Nm
M12 - 87 Nm
M16 - 210 Nm

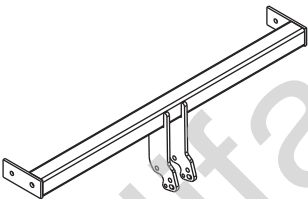

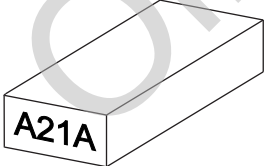

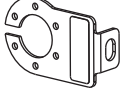

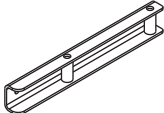







0 km



1000 km



1		x1		5 M12x35	x4
2		x1		6 M10x100	x4
3		x1		7 \varnothing 30x \varnothing 10.5x2.5 10 (DIN 9021)	x6
4		x2		8 \varnothing 13	x4
		Art.nr-KL1A21A		9 \varnothing 12.2	x4
		Art.nr-BL1A21A		10 \varnothing 10.2	x2
				11 M12	x2
				12 M10	x2

