

AUTO-HAK Sp. z o.o.

ul. Słoneczna 16K 76-200 SŁUPSK
POLAND

tel/fax +48 59 8 414 414; +48 59 8 414 413

e-mail: office@autohak.com.pl

www.autohak.com.pl



AUTO-HAK



AUDI

Cat. no:

A18A

A4

4D, QUATTRO (B6), Cabrio, - 11.2000 - 09.2004
S-Line, ~~RS4~~

4D, QUATTRO (B7), Cabrio, - 10.2004 - 10.2007
S-Line, ~~RS4~~


A4 AVANT


Kombi, QUATTRO (B6), - 09.2001 - 09.2004
S-Line, ~~RS4~~

Kombi, QUATTRO (B7), - 10.2004 - 03.2008
S-Line, ~~RS4~~

e20 e20*94/20*0649*00

D 10,71 kN

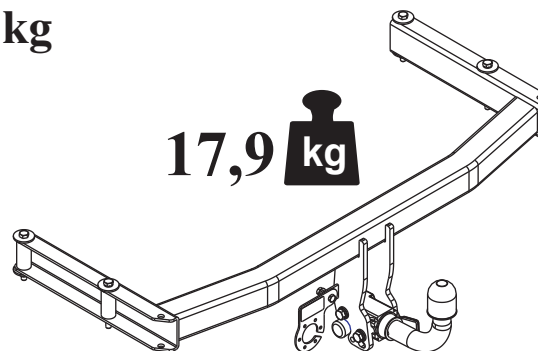
 R=2000 kg

 S=80 kg

17,9  kg



1,5h



M6 - 11 Nm
M10 - 50 Nm
M14 - 138 Nm

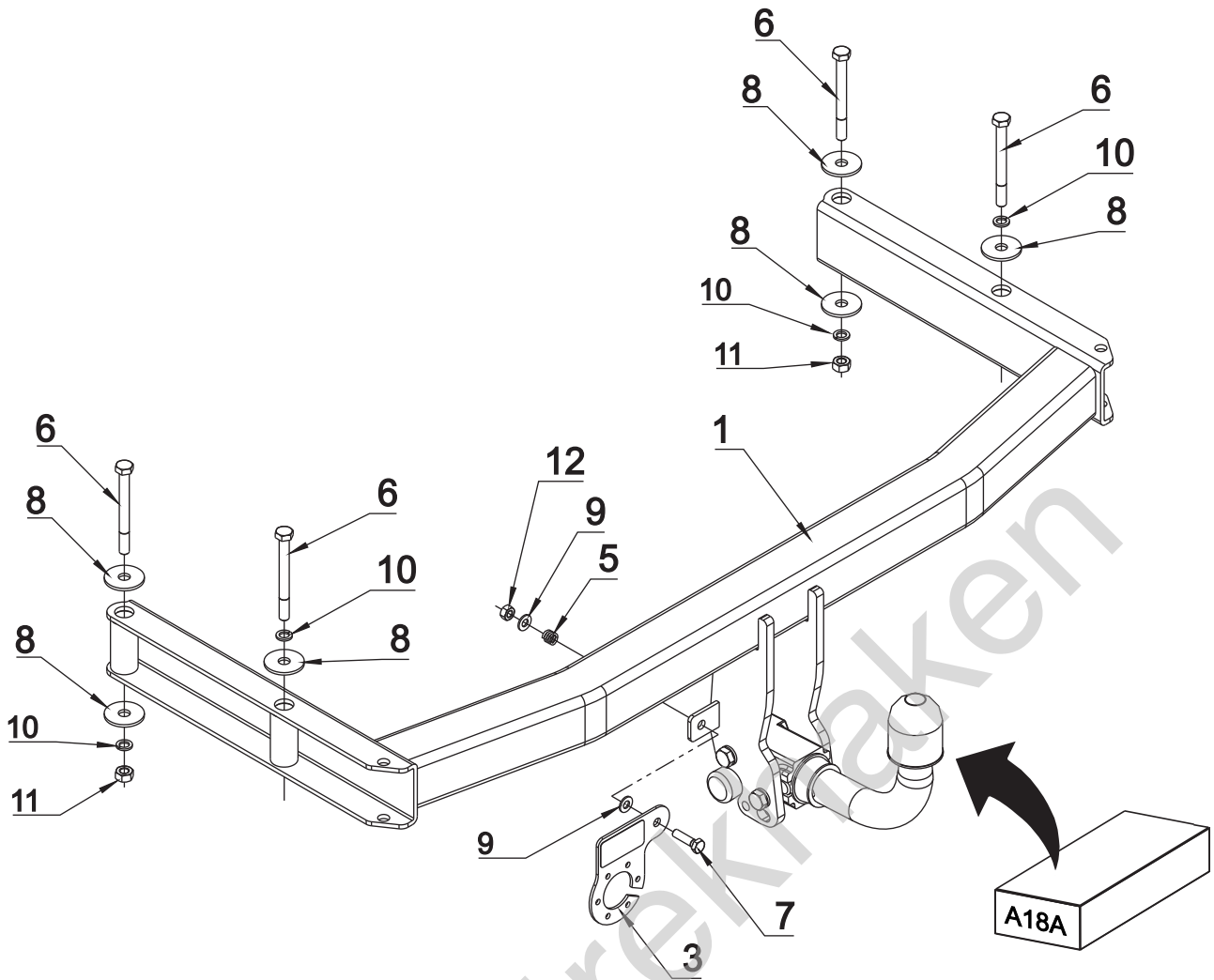
M8 - 25 Nm
M12 - 87 Nm
M16 - 210 Nm

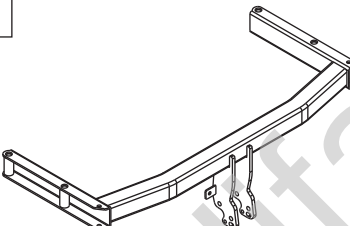

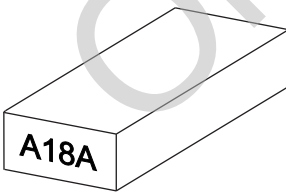

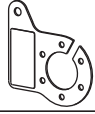


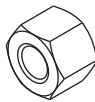



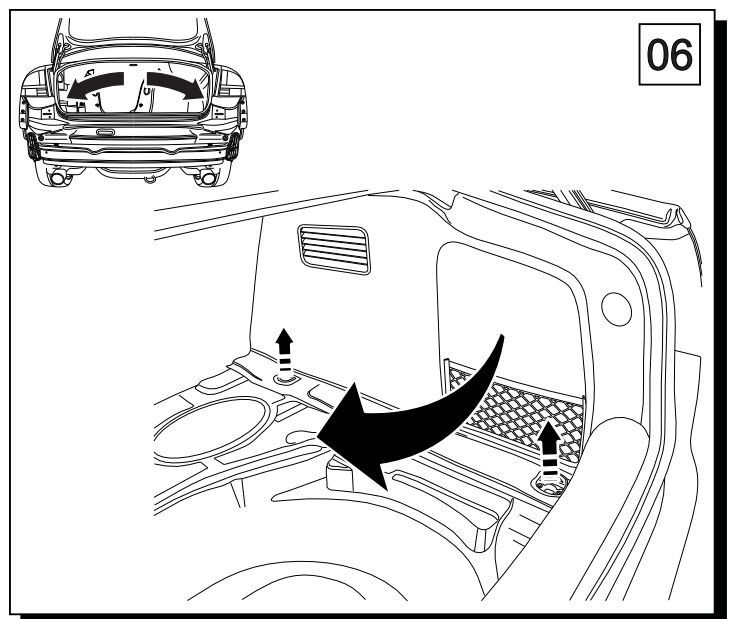
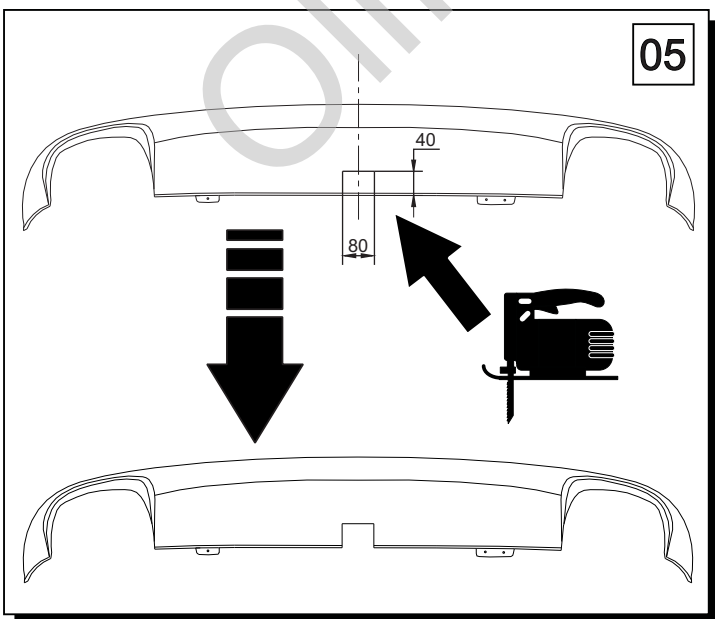
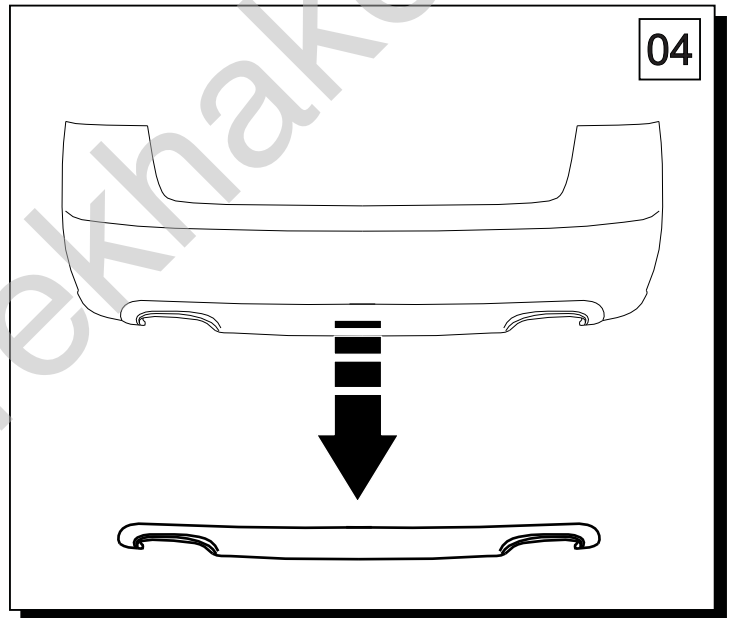
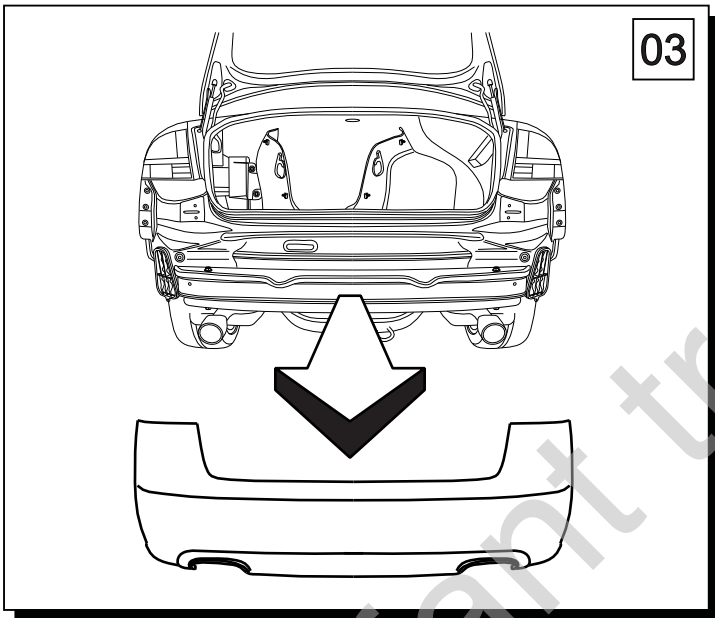
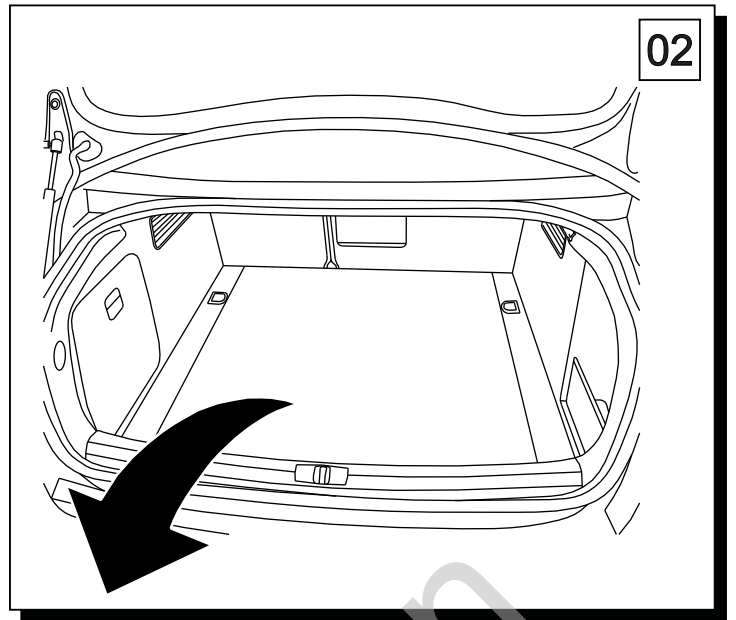
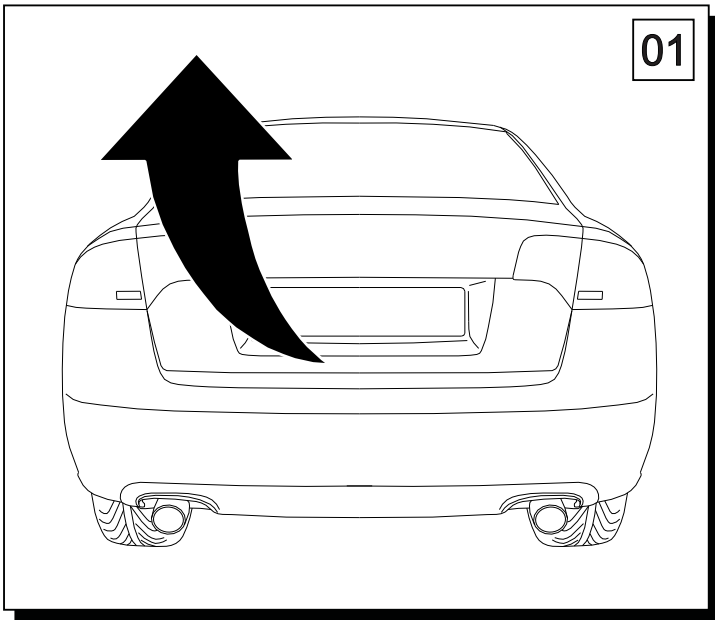
0 km

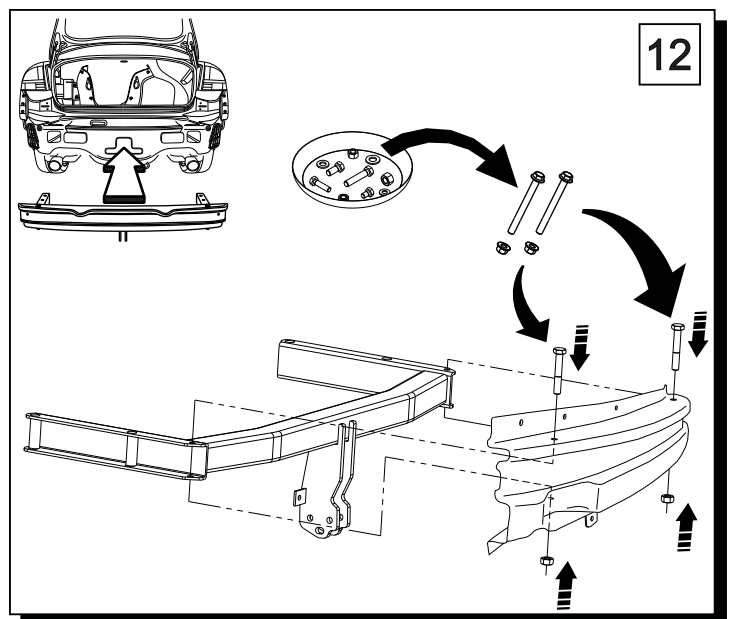
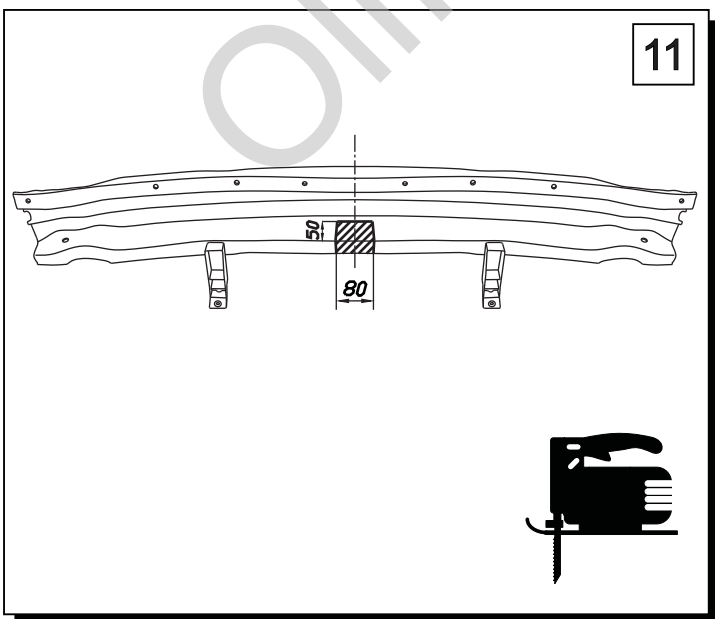
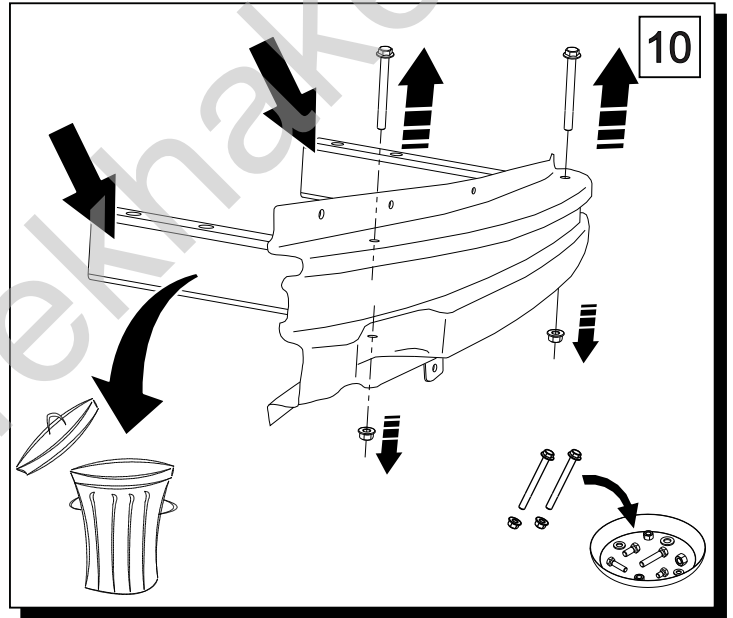
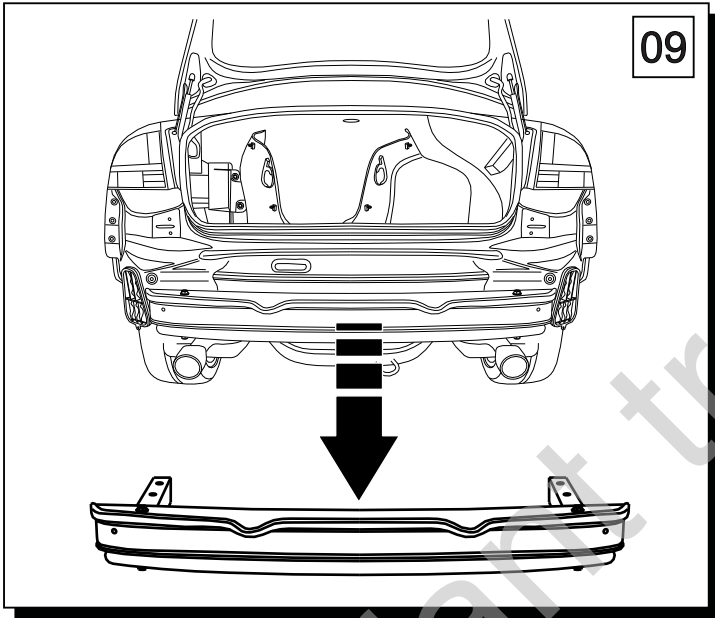
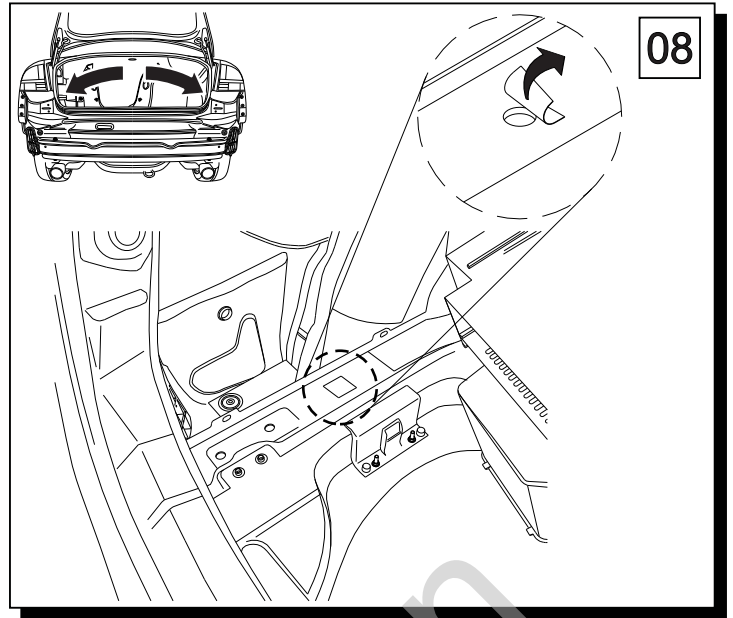
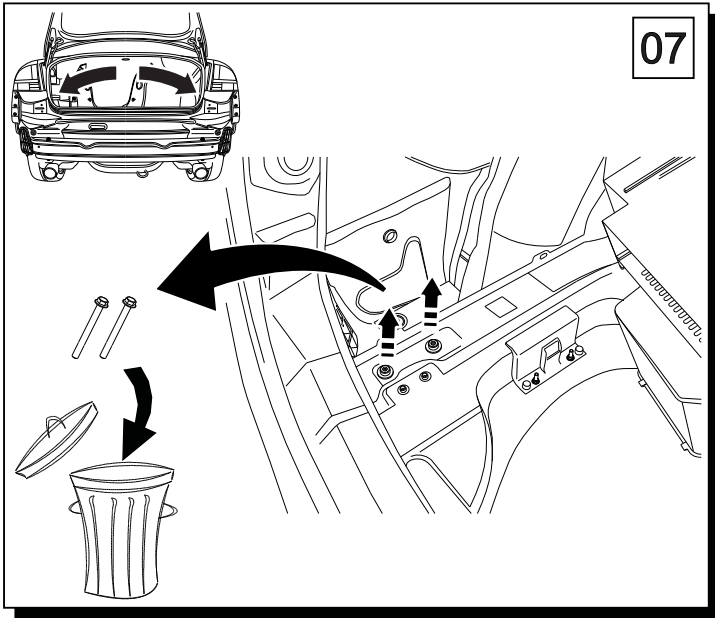


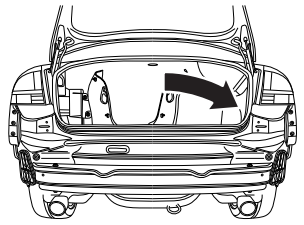
1000 km








1		x1		6	M10x100	x4
				7	M8x45	x1
2		x1		8	∅ 30x∅10.5x2.5 10 (DIN 9021)	x6
				9	∅ 8.5	x2
3		x1		10	∅ 10.2	x4
				11	M10	x2
4		x1		12	M8	x1
5		x1				

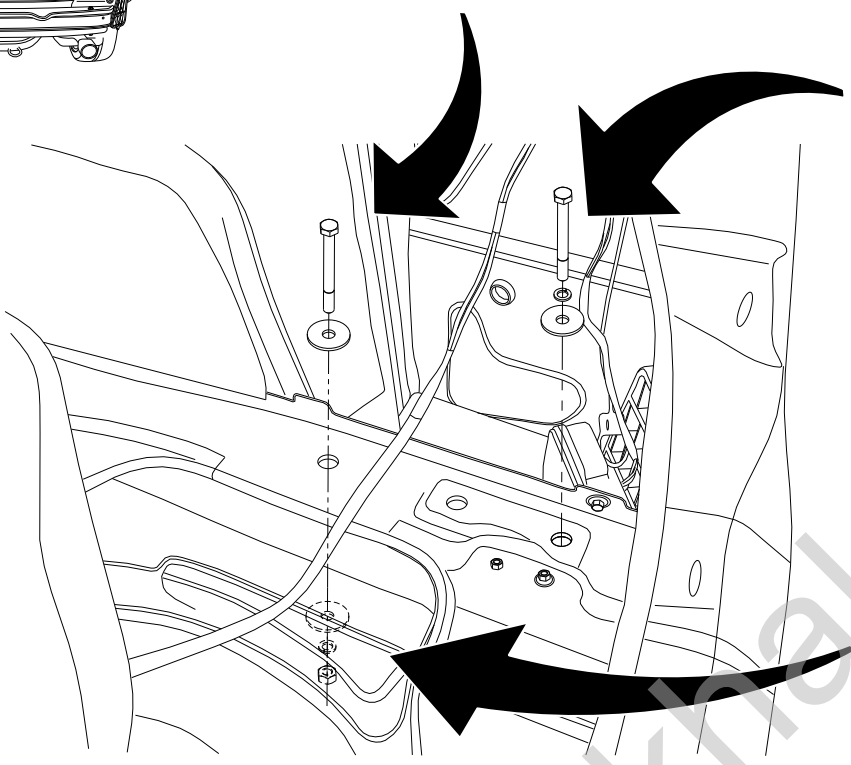







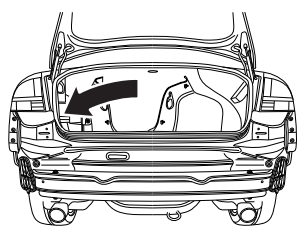




- 1x  M10x100mm
- 1x  $\varnothing 30 \times 10,5 \times 2,5 \text{mm}$




- 1x  M10x100mm
- 1x  $\varnothing 10,2 \text{mm}$
- 1x  $\varnothing 30 \times 10,5 \times 2,5 \text{mm}$






- 1x  $\varnothing 30 \times 10,5 \times 2,5 \text{mm}$
- 1x  $\varnothing 10,2 \text{mm}$
- 1x  M10



- 1x  M10x100mm
- 1x  $\varnothing 30 \times 10,5 \times 2,5 \text{mm}$

- 1x  M10x100mm
- 1x  $\varnothing 10,2 \text{mm}$
- 1x  $\varnothing 30 \times 10,5 \times 2,5 \text{mm}$

- 1x  $\varnothing 30 \times 10,5 \times 2,5 \text{mm}$
- 1x  $\varnothing 10,2 \text{mm}$
- 1x  M10

