

AUTO-HAK Sp. z o.o.

ul. Słoneczna 16K 76-200 SŁUPSK
POLAND

tel/fax +48 59 8 414 414; +48 59 8 414 413

e-mail: office@autohak.com.pl

www.autohak.com.pl



AUTO-HAK



AUDI

Cat. no:

A18

A4

4D, QUATTRO (B6), Cabrio, - 11.2000 - 09.2004
S-Line, ~~RS4~~

4D, QUATTRO (B7), Cabrio, - 10.2004 - 10.2007
S-Line, ~~RS4~~

A4 AVANT

Kombi, QUATTRO (B6), - 09.2001 - 09.2004
S-Line, ~~RS4~~

Kombi, QUATTRO (B7), - 10.2004 - 03.2008
S-Line, ~~RS4~~



E20-55R-01 0918

D

10,7 kN



R=2000 kg



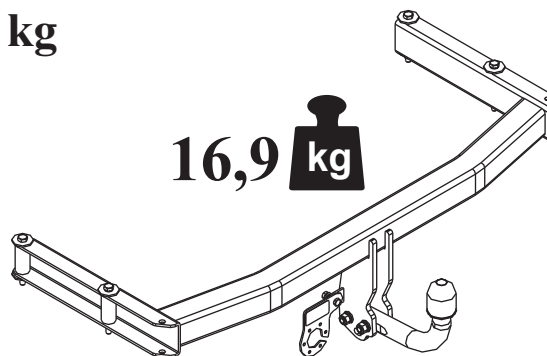
S=80 kg



1,5h



16,9 kg



M6 - 11 Nm
M10 - 50 Nm
M14 - 138 Nm

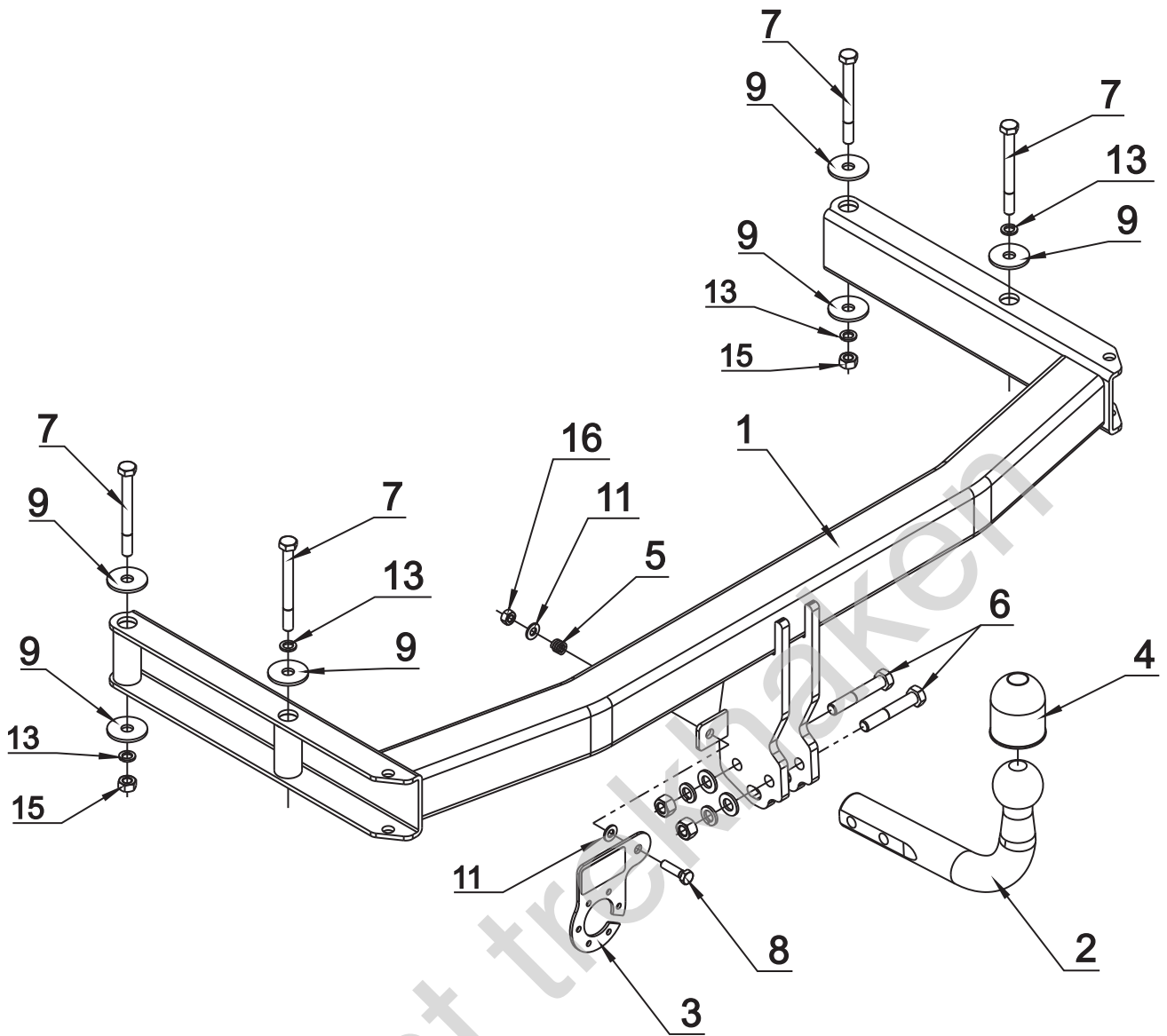
M8 - 25 Nm
M12 - 87 Nm
M16 - 210 Nm

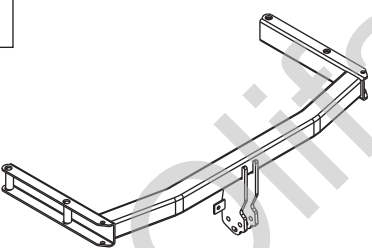
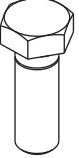


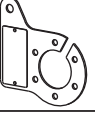


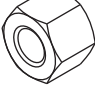

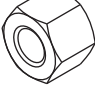


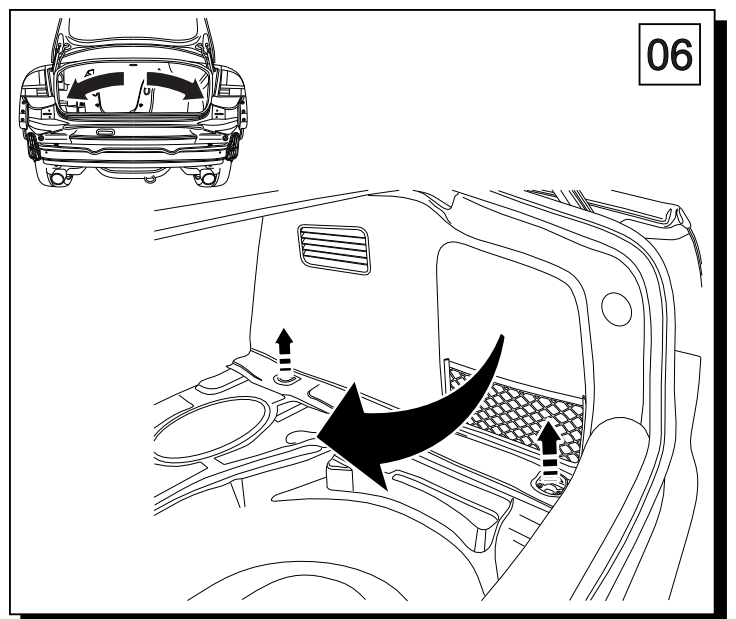
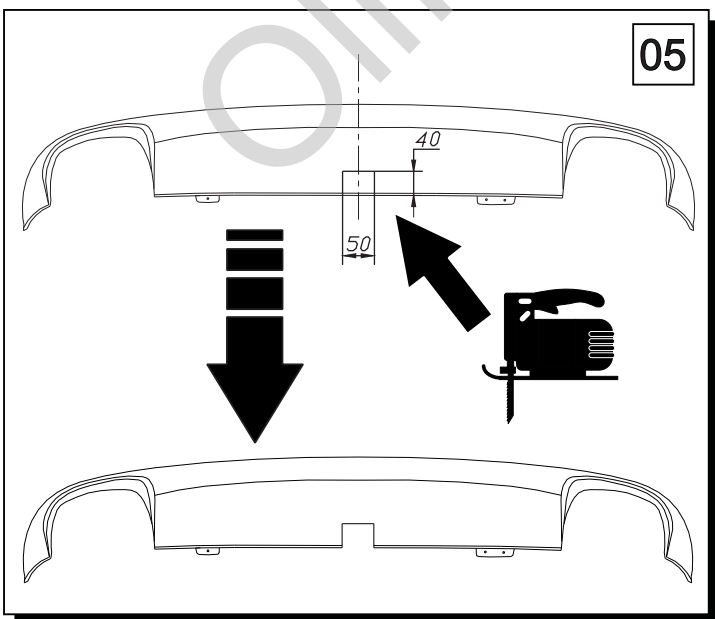
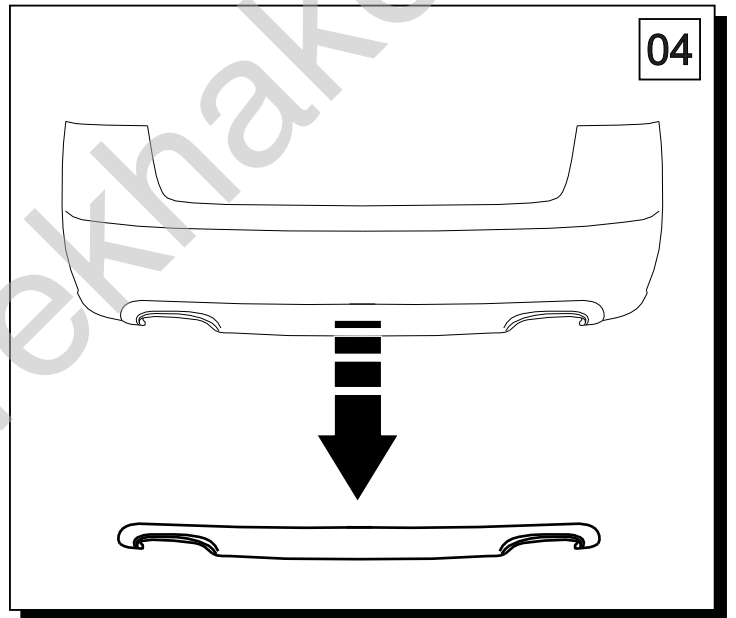
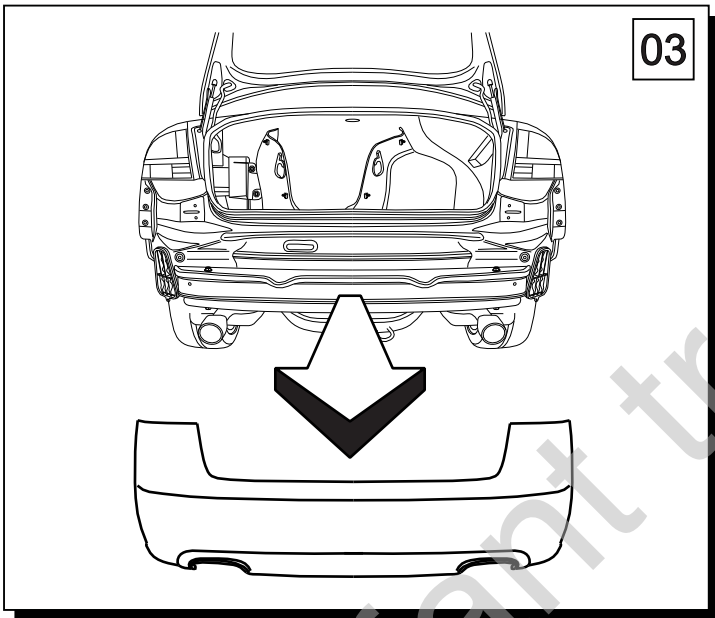
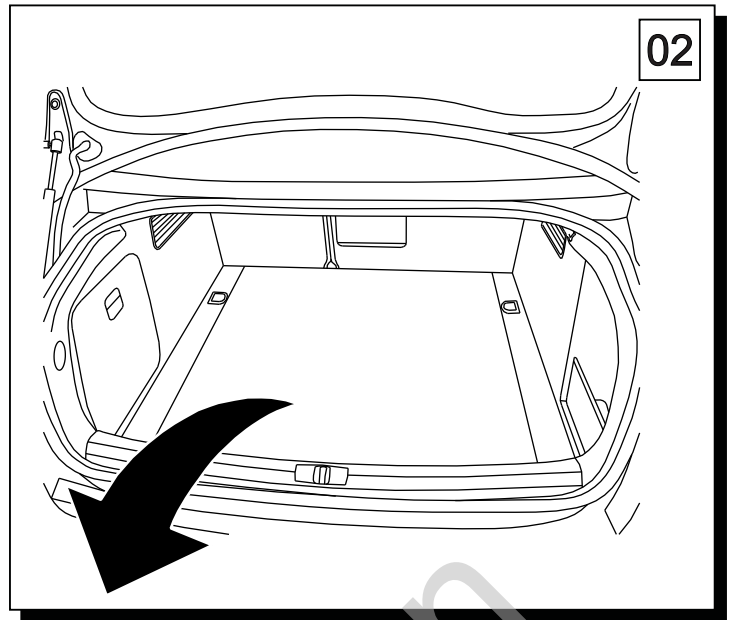
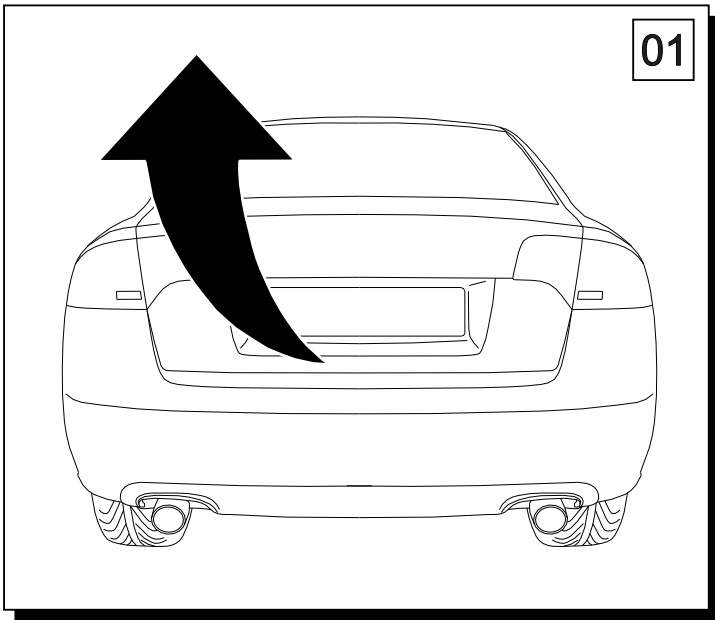
0 km

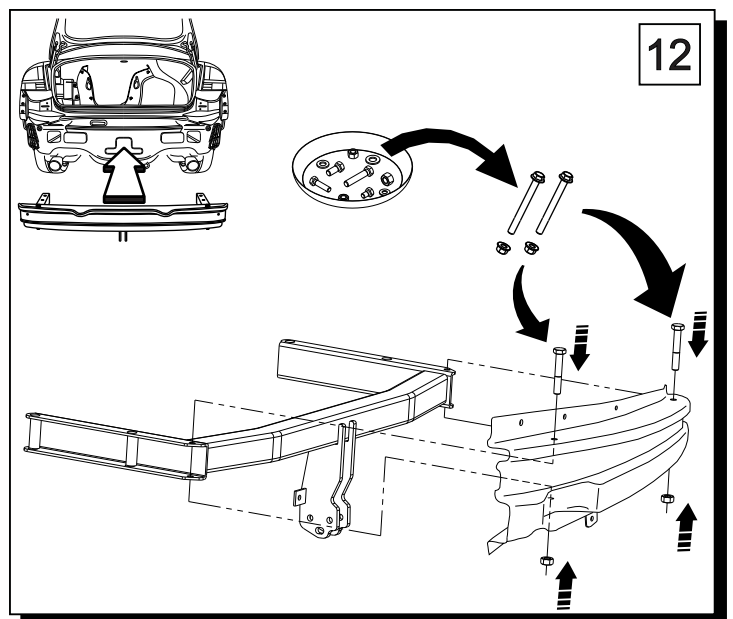
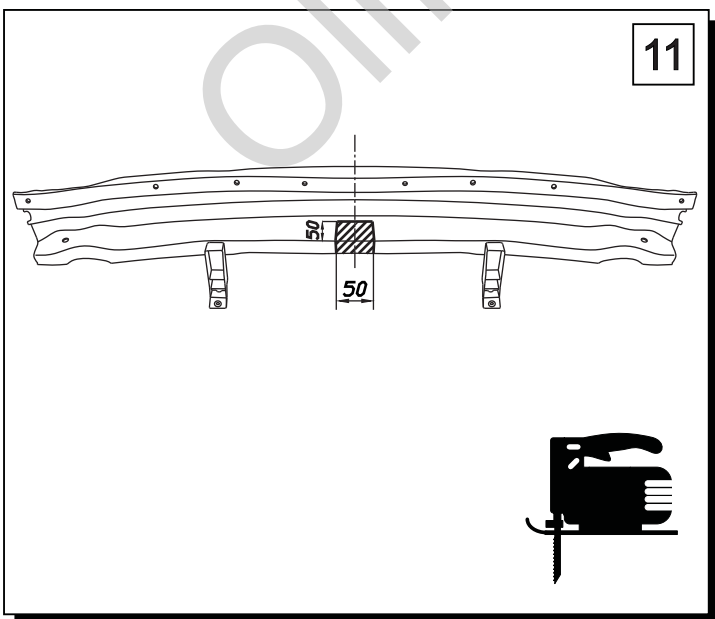
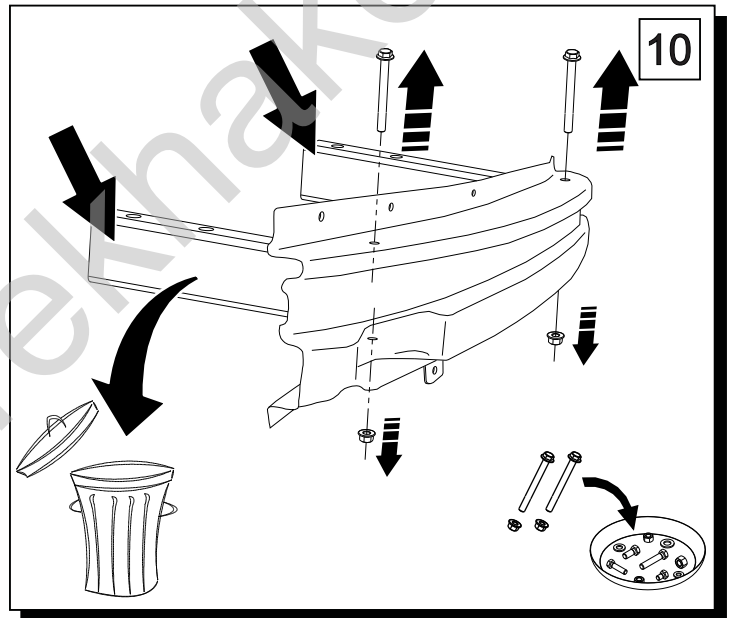
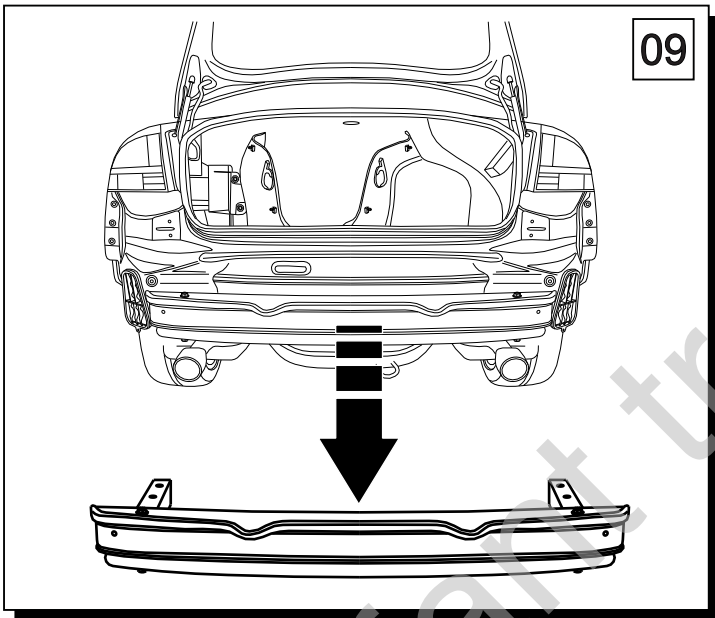
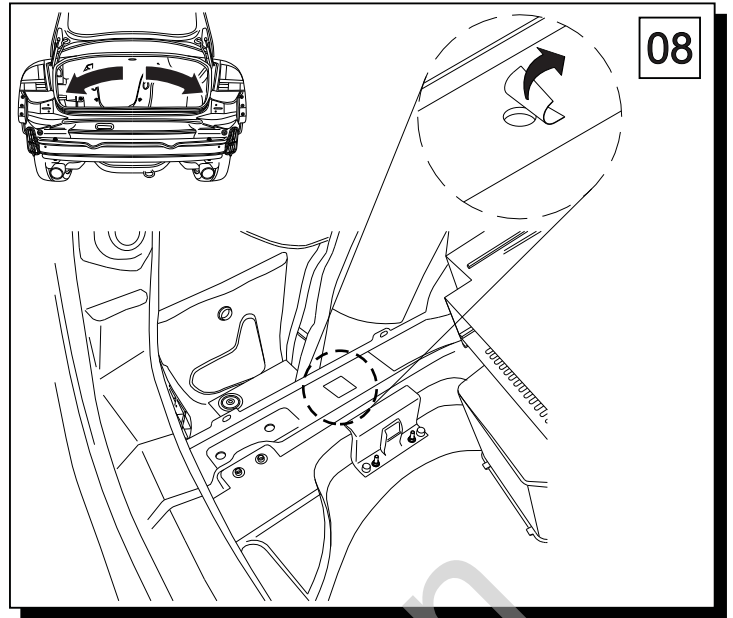
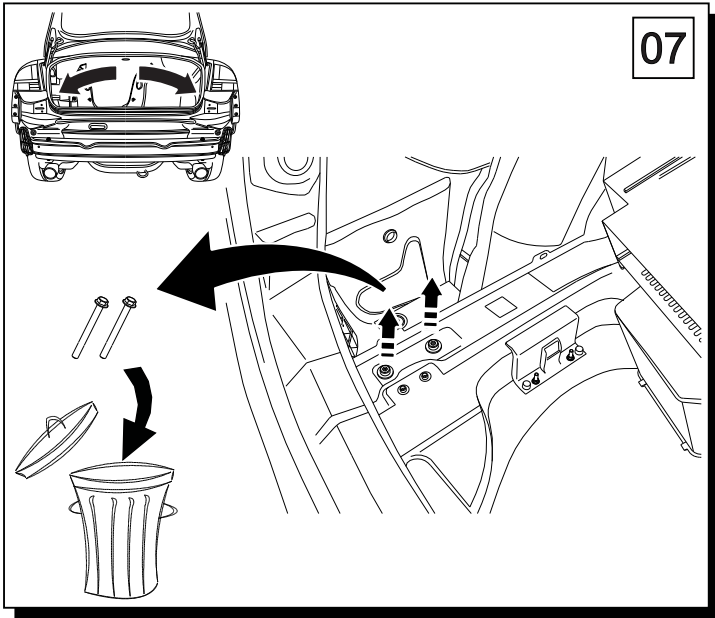


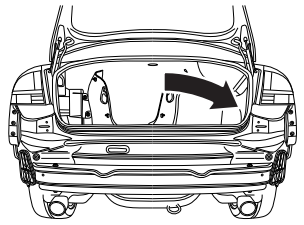
1000 km



1 	x 1		6 M 12x70	x 2
			7 M 10x100	x 4
2 	x 1 Art.nr-KL1A18		8 M 8x30	x 1
			9 \varnothing 30x \varnothing 10.5x2.5 10 (DIN 9021)	x 6
3 	x 1 Art.nr-BL1A18		10 \varnothing 13	x 2
			11 \varnothing 8.5	x 2
4 	x 1		12 \varnothing 12.2	x 2
			13 \varnothing 10.2	x 4
5 	x 1		14 M 12	x 2
			15 M 10	x 2
			16 M 8	x 1

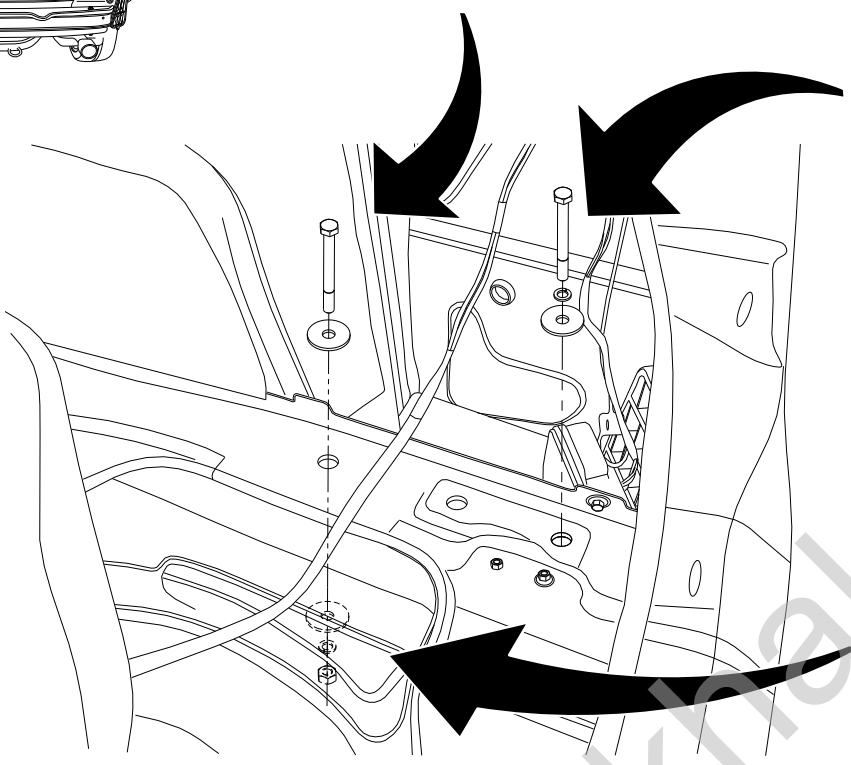




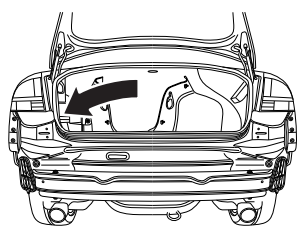


- 1x M10x100mm
- 1x $\varnothing 30 \times \varnothing 10,5 \times 2,5 \text{mm}$

- 1x M10x100mm
- 1x $\varnothing 10,2 \text{mm}$
- 1x $\varnothing 30 \times \varnothing 10,5 \times 2,5 \text{mm}$

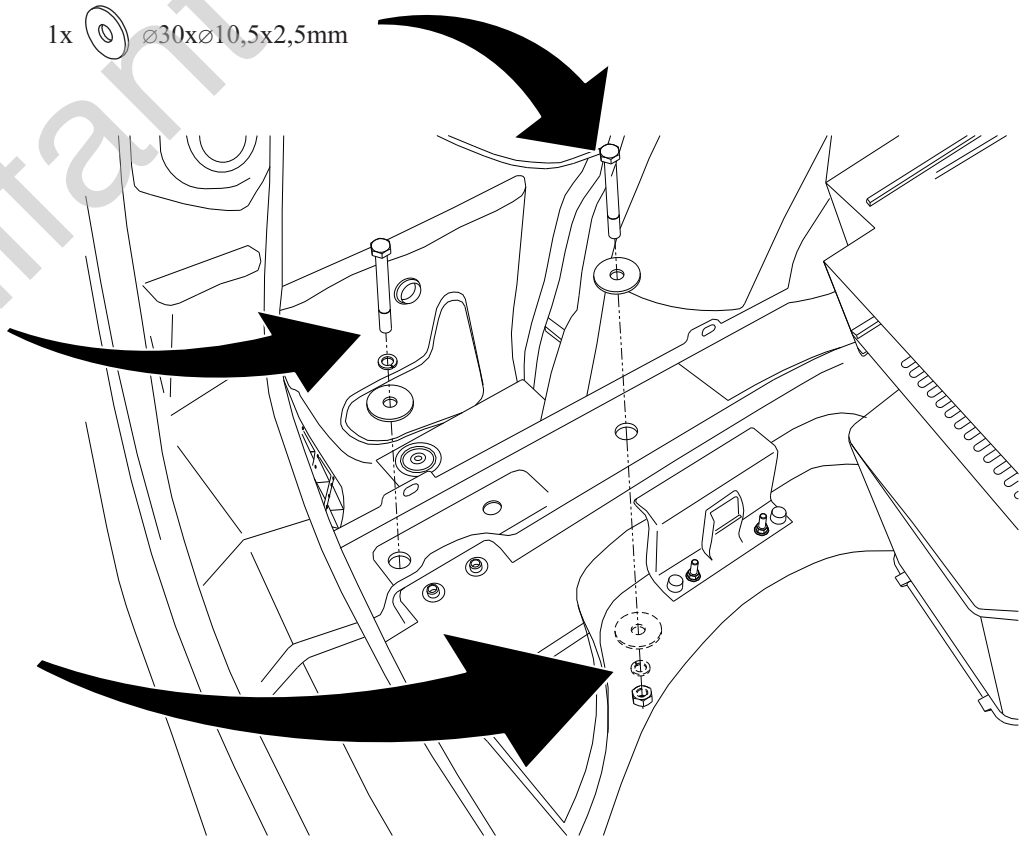


- 1x $\varnothing 30 \times \varnothing 10,5 \times 2,5 \text{mm}$
- 1x $\varnothing 10,2 \text{mm}$
- 1x M10



- 1x M10x100mm
- 1x $\varnothing 30 \times \varnothing 10,5 \times 2,5 \text{mm}$

- 1x M10x100mm
- 1x $\varnothing 10,2 \text{mm}$
- 1x $\varnothing 30 \times \varnothing 10,5 \times 2,5 \text{mm}$



- 1x $\varnothing 30 \times \varnothing 10,5 \times 2,5 \text{mm}$
- 1x $\varnothing 10,2 \text{mm}$
- 1x M10

