

# AUTO-HAK Sp. z o.o.

ul. Słoneczna 16K 76-200 SŁUPSK  
POLAND

tel/fax +48 59 8 414 414; +48 59 8 414 413

e-mail: [office@autohak.com.pl](mailto:office@autohak.com.pl)

[www.autohak.com.pl](http://www.autohak.com.pl)



# AUTO-HAK



**AUDI A4**  
4D, QUATTRO (8D2, B5), ~~R84~~

Cat. no:

**A08A**

**AUDI A4 AVANT**  
Kombi QUATTRO (8D5, B5), ~~R84~~



A4 - 11.1994 → 10.2000  
A4 AVANT - 12.1995 → 08.2001



**2,5h**



**E20-55R-01 4654**



**10,1 kN**

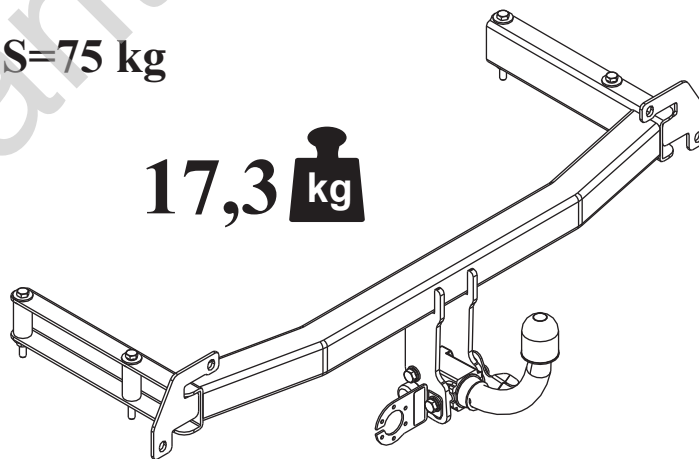


**R=1800 kg**



**S=75 kg**

**17,3 kg**



M6 - 11 Nm  
M10 - 50 Nm  
M14 - 138 Nm

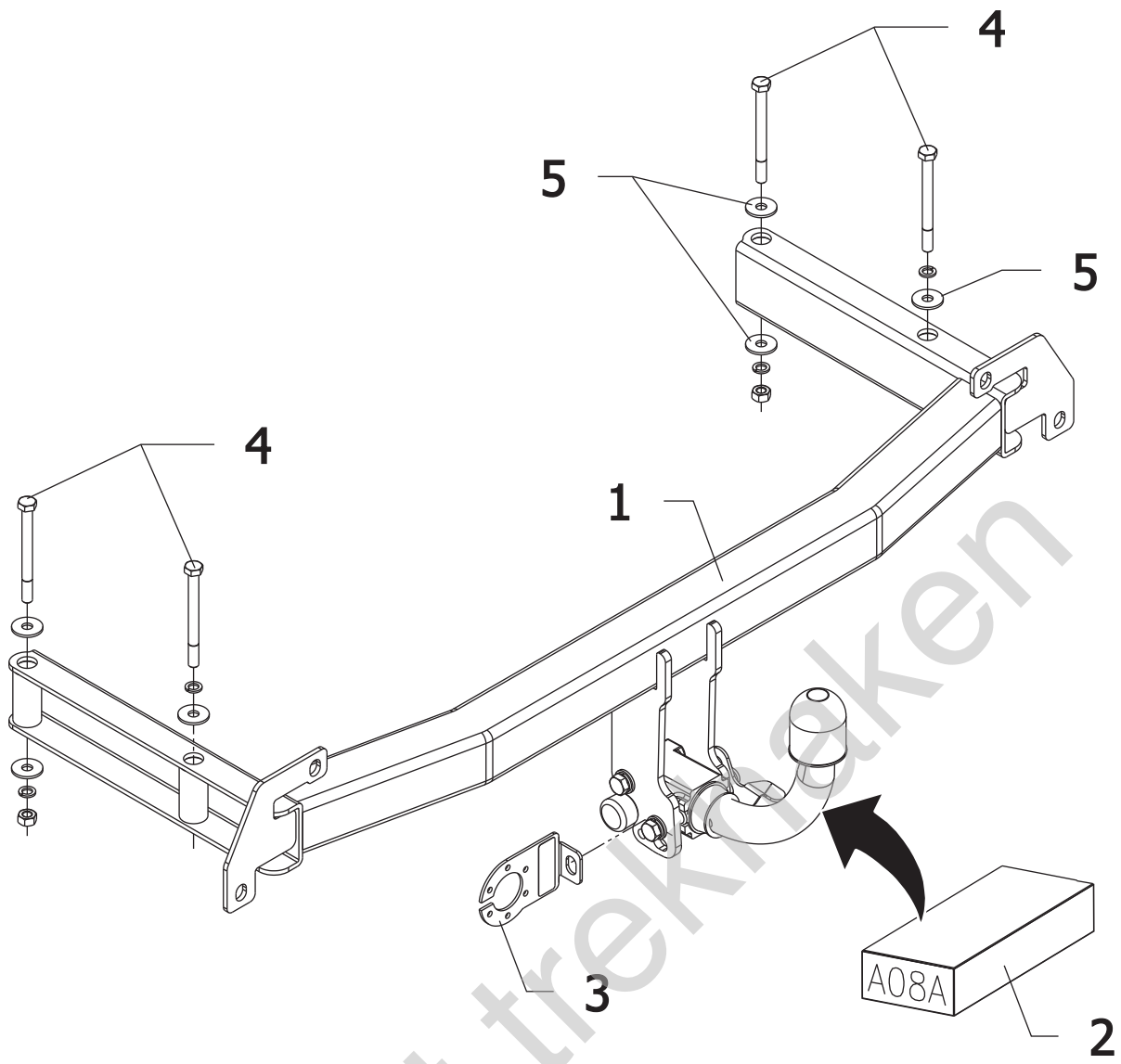
M8 - 25 Nm  
M12 - 87 Nm  
M16 - 210 Nm

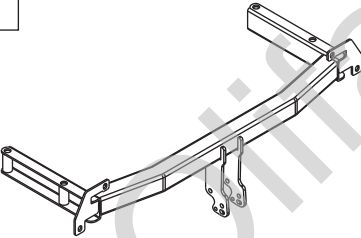



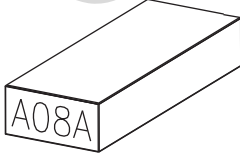
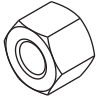
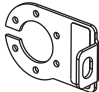


**0 km →**



**1000 km**



1		x1		4 M10x110 (10.9)	x4
				5 $\varnothing$ 30x $\varnothing$ 10.5x2.5 10 (DIN 9021)	x6
				6 $\varnothing$ 10.2	x4
2		x1		7 M10	x2
	Art.nr-KL1A08A				
3		x1			
	Art.nr-BL1A08A				

