

# AUTO-HAK Sp. z o.o.

ul. Słoneczna 16K 76-200 SŁUPSK  
POLAND

tel/fax +48 59 8 414 414; +48 59 8 414 413

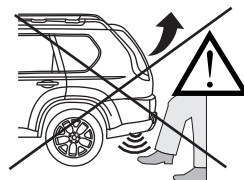
e-mail: [office@autohak.com.pl](mailto:office@autohak.com.pl)

[www.autohak.com.pl](http://www.autohak.com.pl)



# AUTO-HAK

## TOYOTA COROLLA (5d)



Cat. no:

**O99A**



01.2019 →



E20-55R-01 5784



2h

**D**

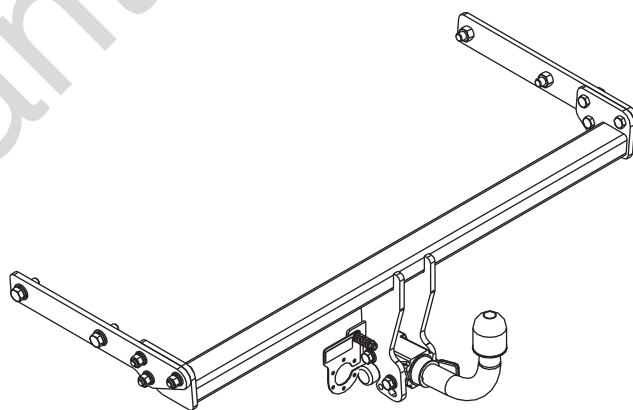
8,6 kN



R=1300 kg



S=75 kg



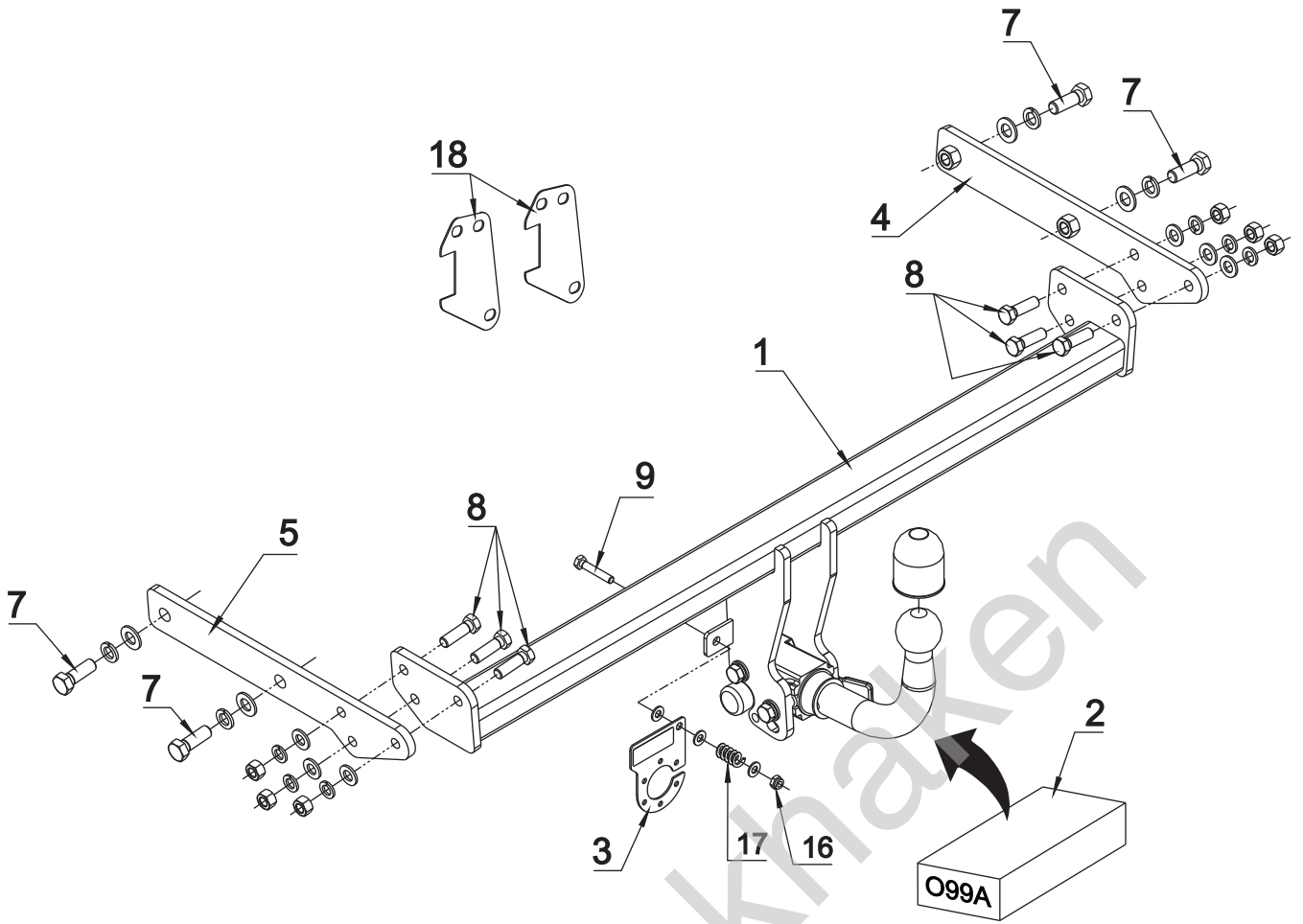
śruba	Nm	M6	M8	M10	M12	M14	M16
klasa 8.8		9,9	24	48	83	132	200
klasa 10.9		14	34	67	117	185	285



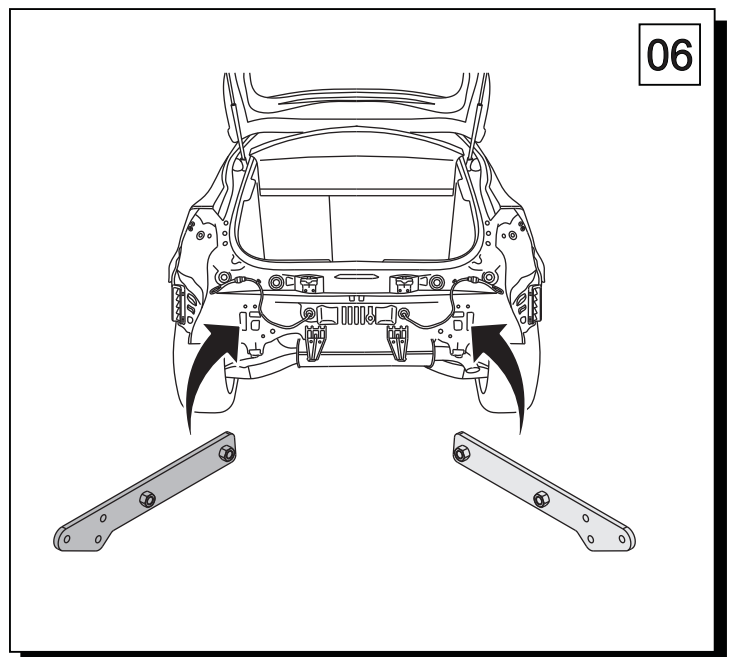
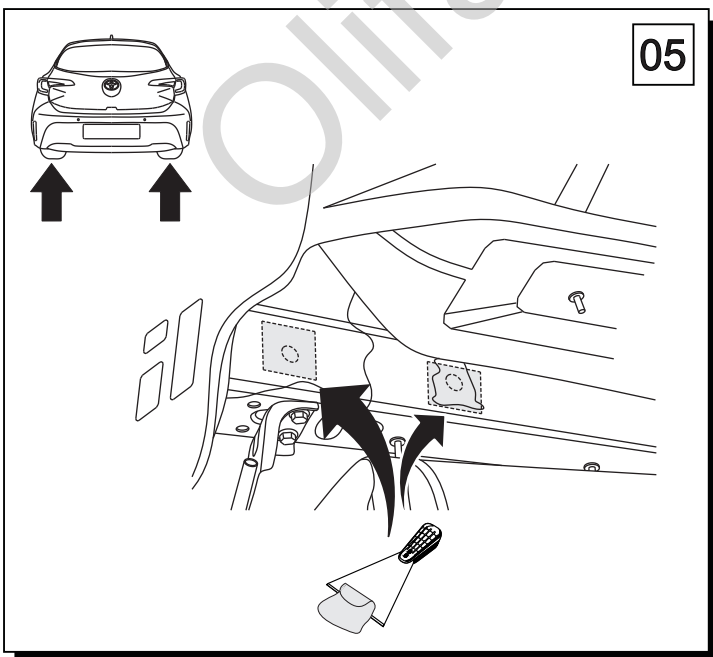
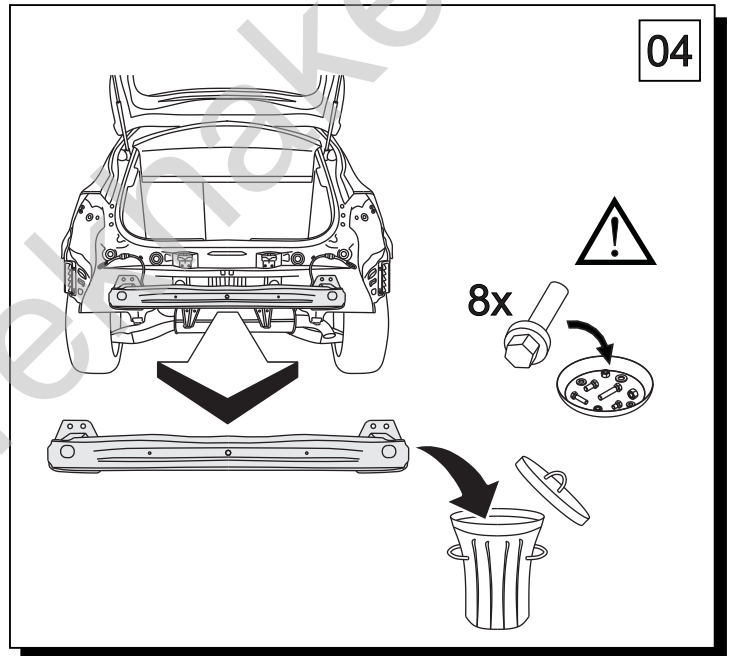
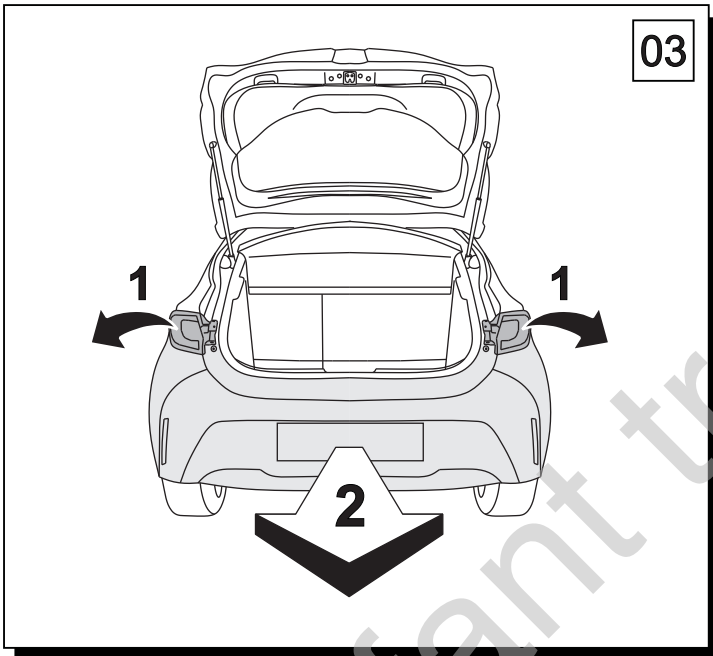
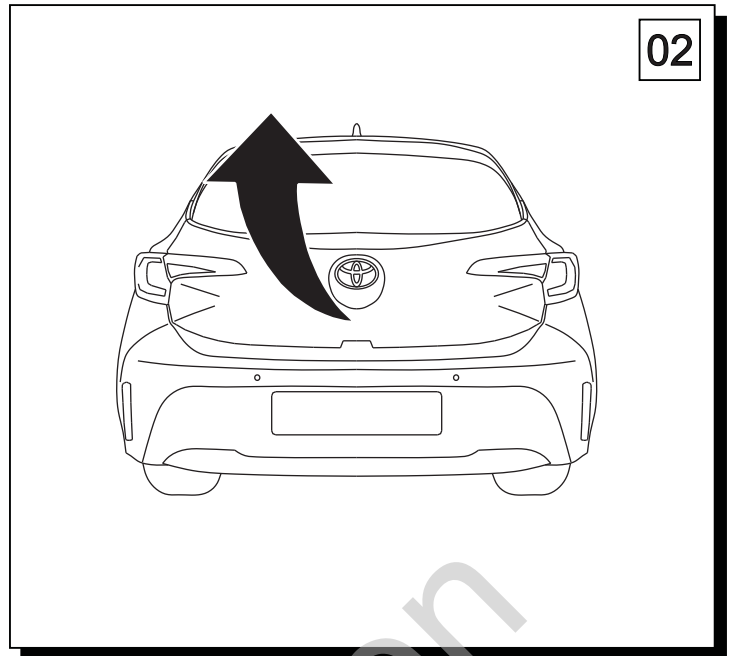
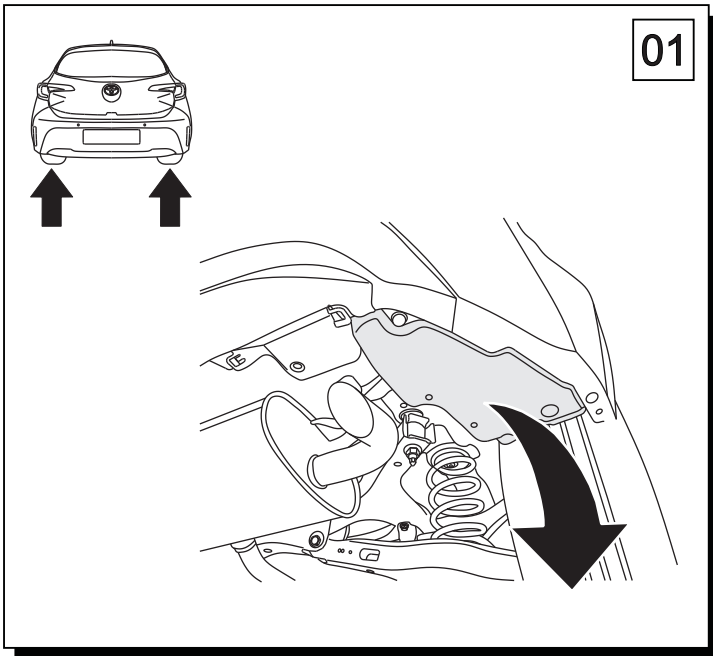
0 km →

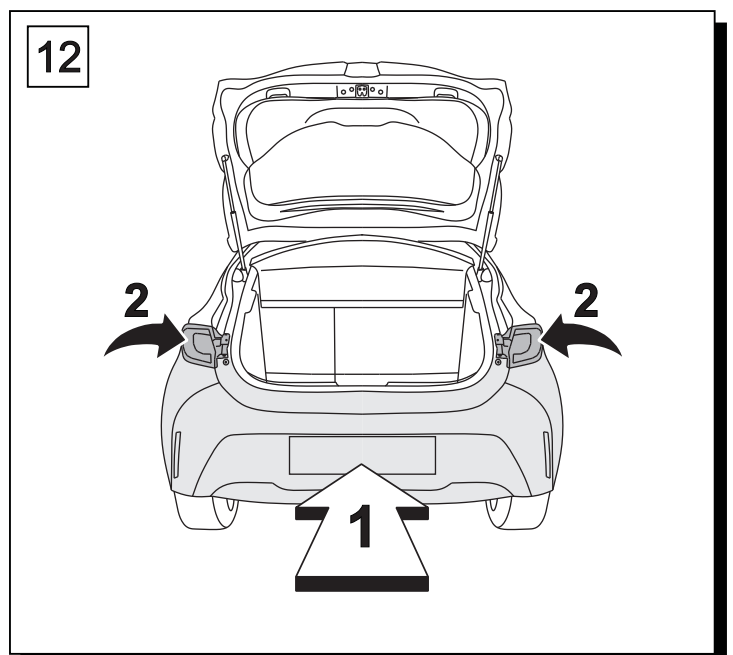
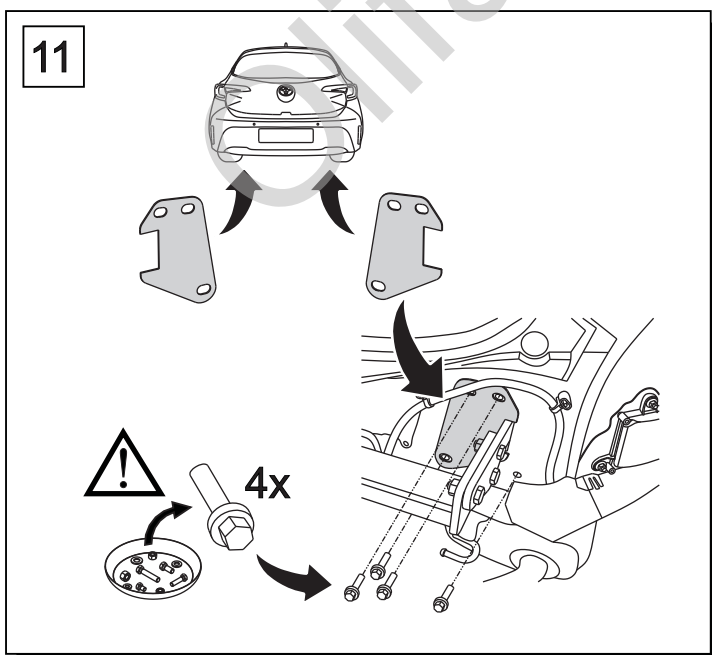
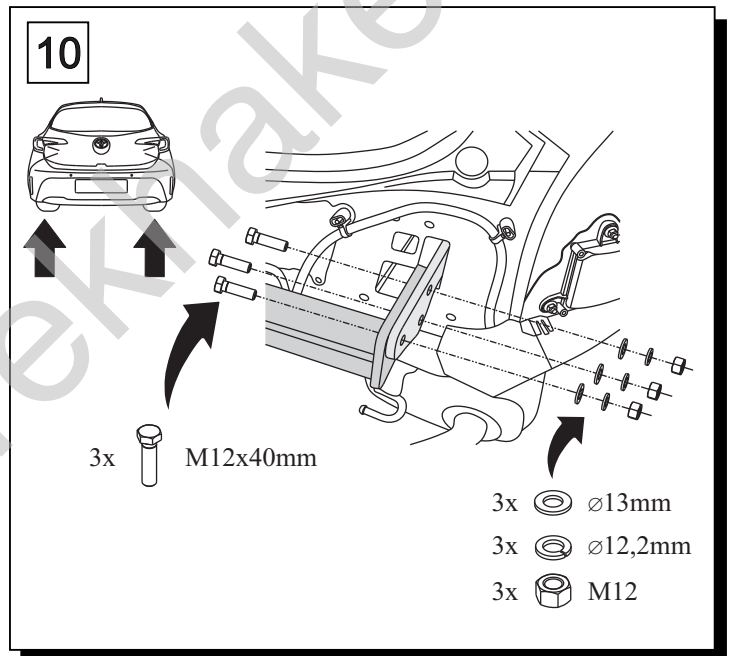
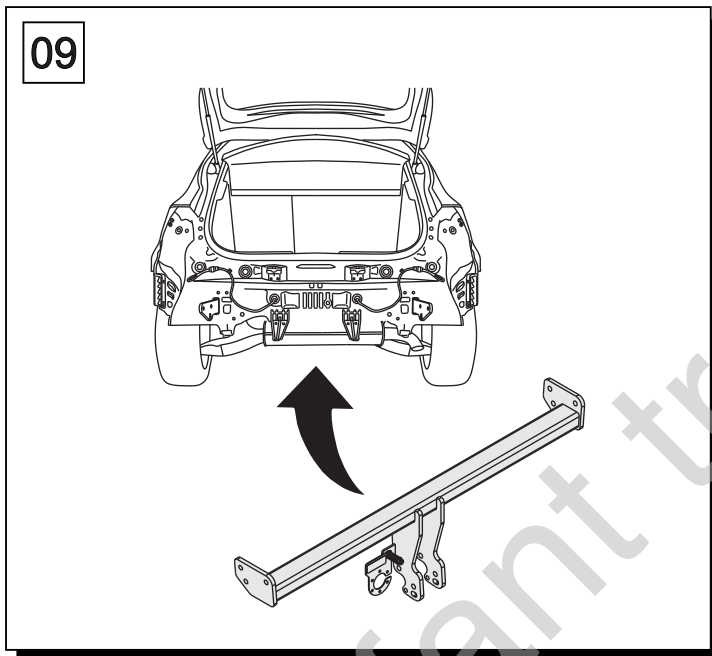
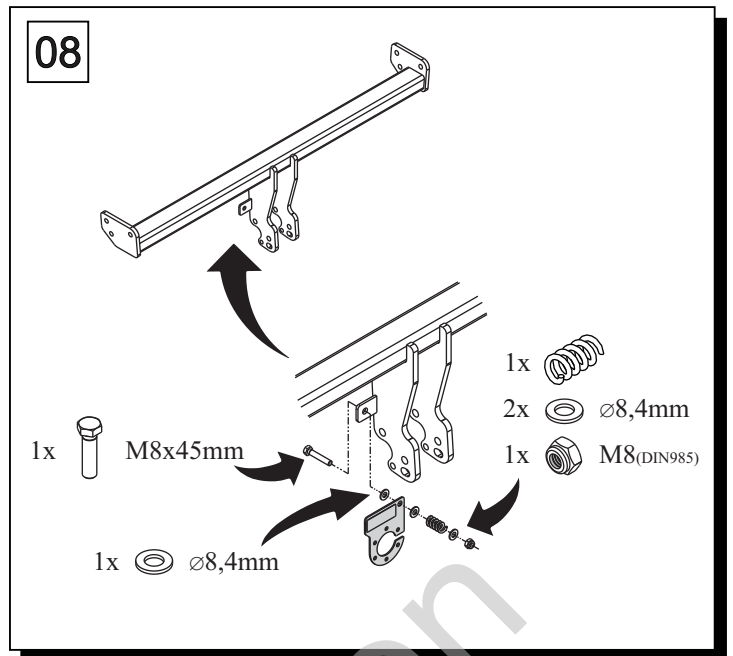
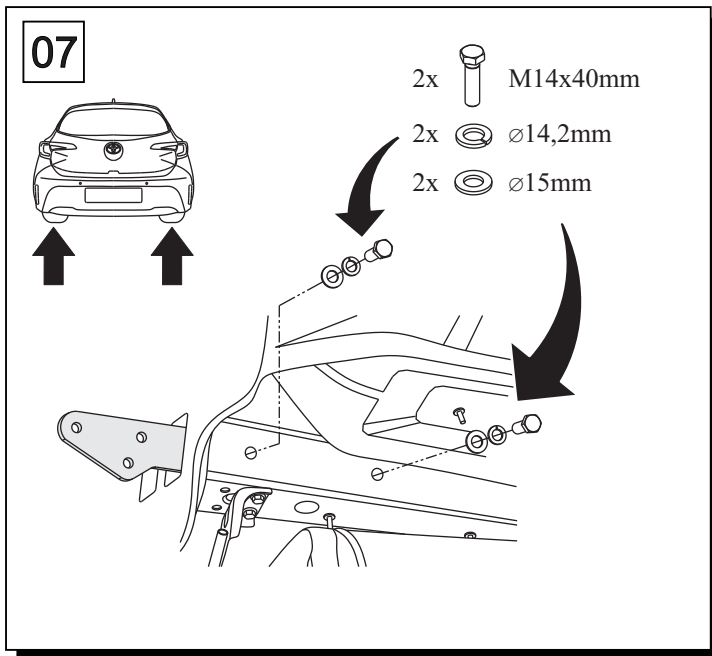


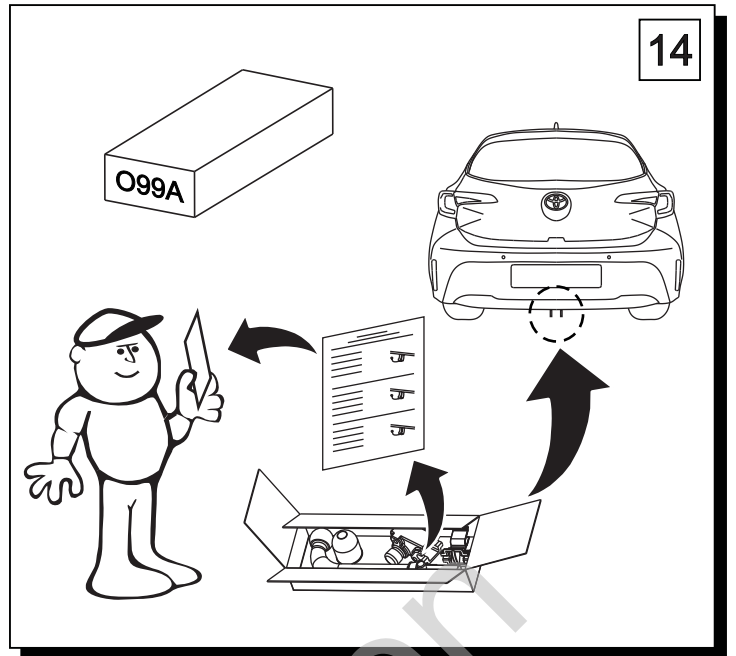
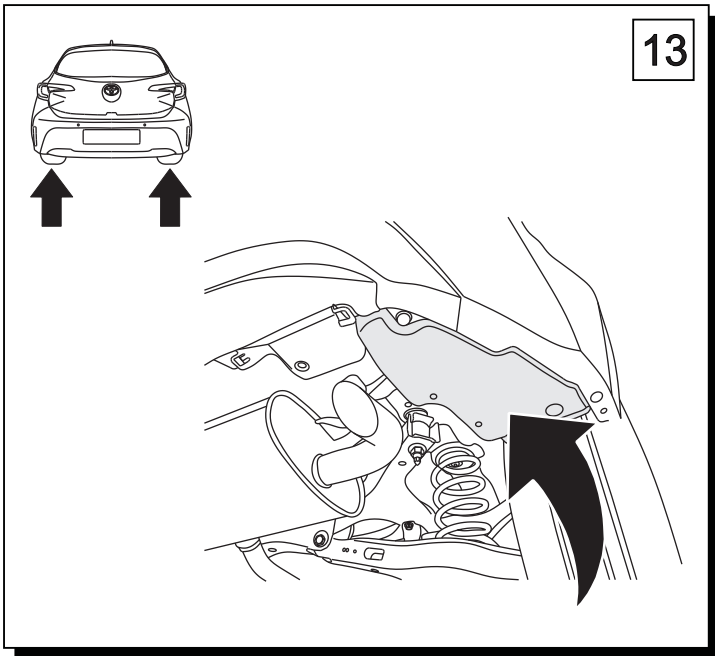
1000 km



	x 1		7	M 14x40	x 4
			8	M 12x40	x 6
			9	M 8x45	x 1
			10	∅ 15	x 4
			11	∅ 13	x 6
			12	∅ 8.4	x 3
	x 1		13	∅ 14.2	x 4
			14	∅ 12.2	x 6
			15	M 12	x 6
	x 1		16	M 8 (DIN985)	x 1
			Art.nr-BL12O99A		
	x 1		17		x 1
	x 1		18		x 2
	x 1				







Olifant trekhakeri