

# AUTO-HAK Sp. z o.o.

ul. Słoneczna 16K 76-200 SŁUPSK  
POLAND

tel/fax +48 59 8 414 414; +48 59 8 414 413

e-mail: [office@autohak.com.pl](mailto:office@autohak.com.pl)

[www.autohak.com.pl](http://www.autohak.com.pl)



# AUTO-HAK

## TOYOTA RAV-4

SUV



11.2018 →



E20-55R-01 5712

**D**

10,90 kN



R=2000 kg



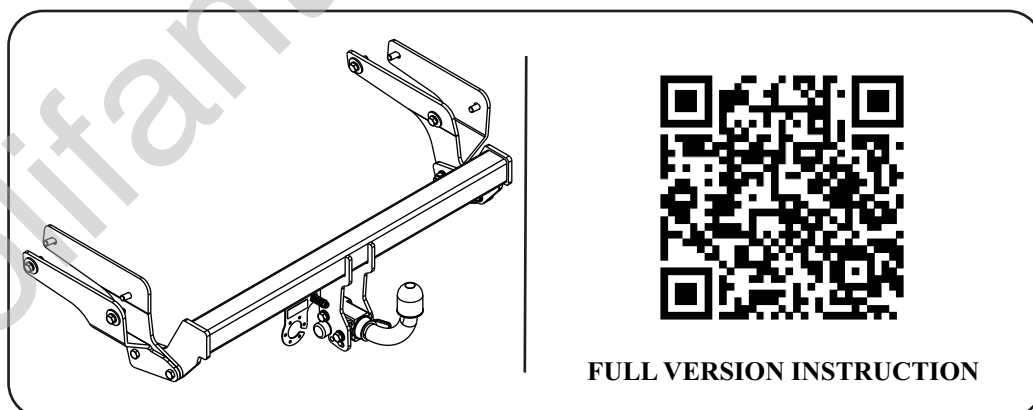
S=80 kg

Nr kat.

**O96A**



2h



FULL VERSION INSTRUCTION



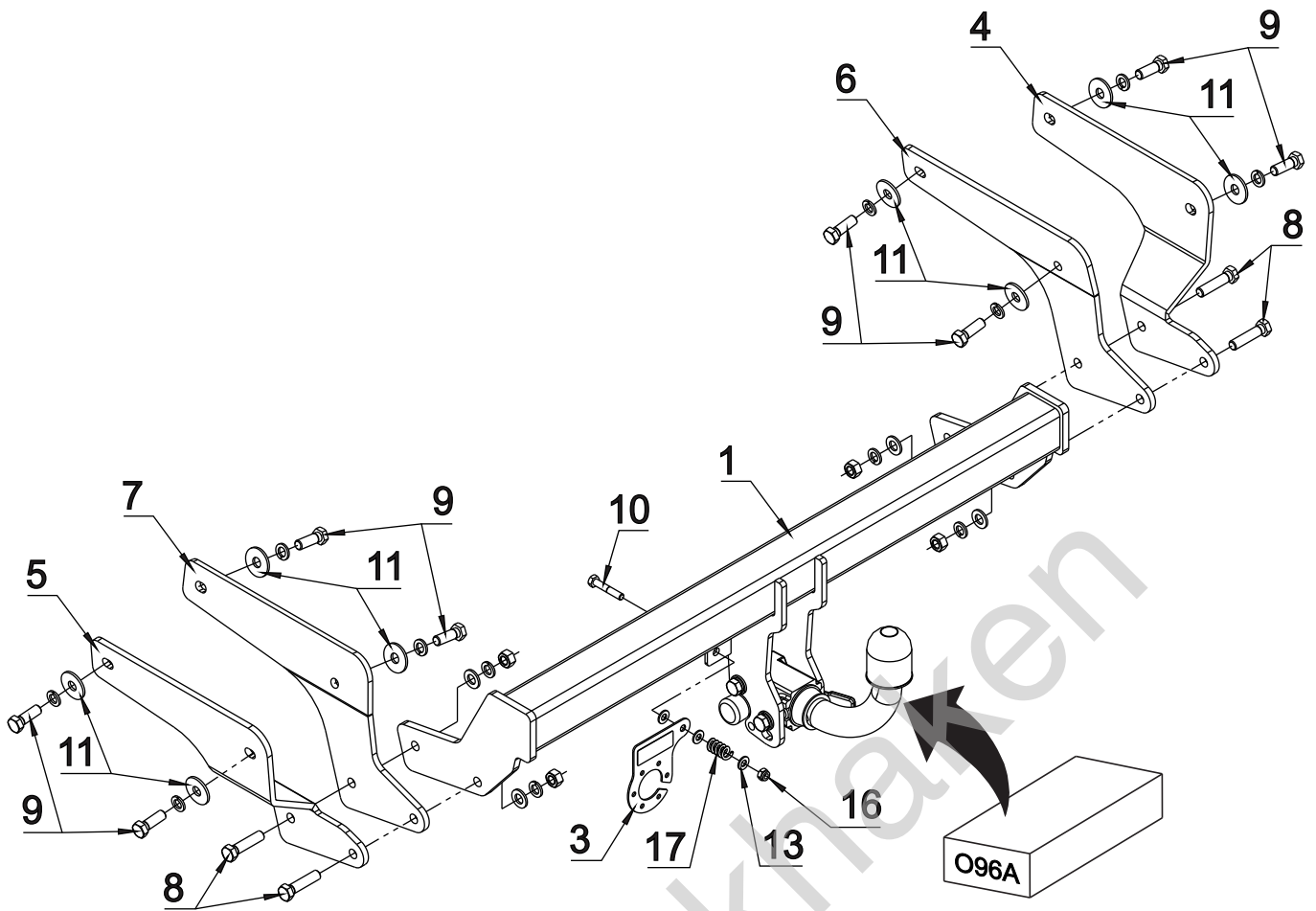
śruba	Nm	M6	M8	M10	M12	M14	M16
klasa 8.8		9,9	24	48	83	132	200
klasa 10.9		14	34	67	117	185	285

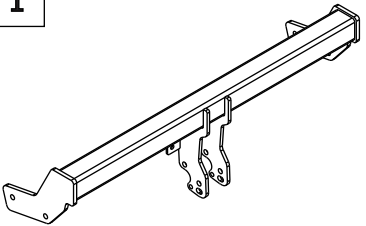


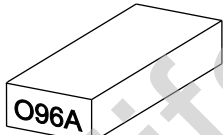


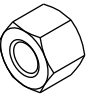
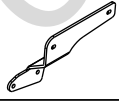


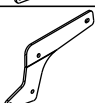
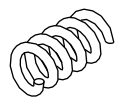
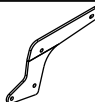


0 km



1000 km



1		x1		8 M12x50	x4
				9 M12x1,25x35	x8
				10 M8x45	x1
				11 $\varnothing$ 37x $\varnothing$ 13x3 13 DIN 9021	x8
				12 $\varnothing$ 13	x4
	2 	x1		13 $\varnothing$ 8,3	x3
	Art.nr-KL1O96A			14 $\varnothing$ 12.2	x12
	3 	x1		15 M12	x4
	Art.nr-BL1O96A			16 M 8 (DIN985)	x1
	4 	x1			
	5 	x1			
	6 	x1	17 		x1
	7 	x1			

