

# AUTO-HAK Sp. z o.o.

ul. Słoneczna 16K 76-200 SŁUPSK  
POLAND

tel/fax +48 59 8 414 414; +48 59 8 414 413

e-mail: [office@autohak.com.pl](mailto:office@autohak.com.pl)

[www.autohak.com.pl](http://www.autohak.com.pl)



# AUTO-HAK

## TOYOTA C-HR 5D

HYBRID

10.2016 → 10.2019  
11.2019 → 08.2023  
09.2023 →

E20-55R-01 4995

8,70 kN

R=1500 kg

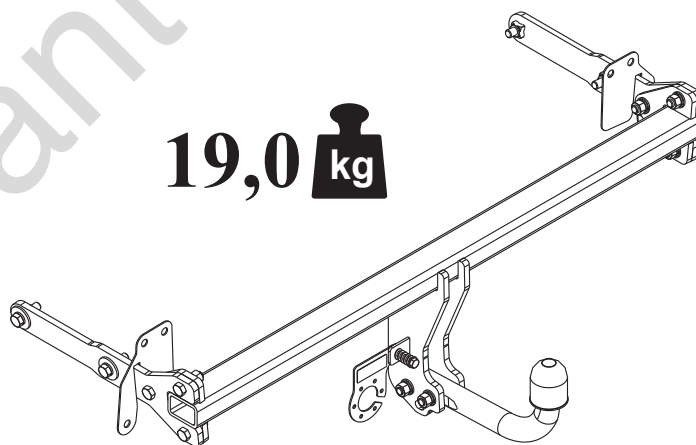
S=80 kg

Nr kat.

**094**

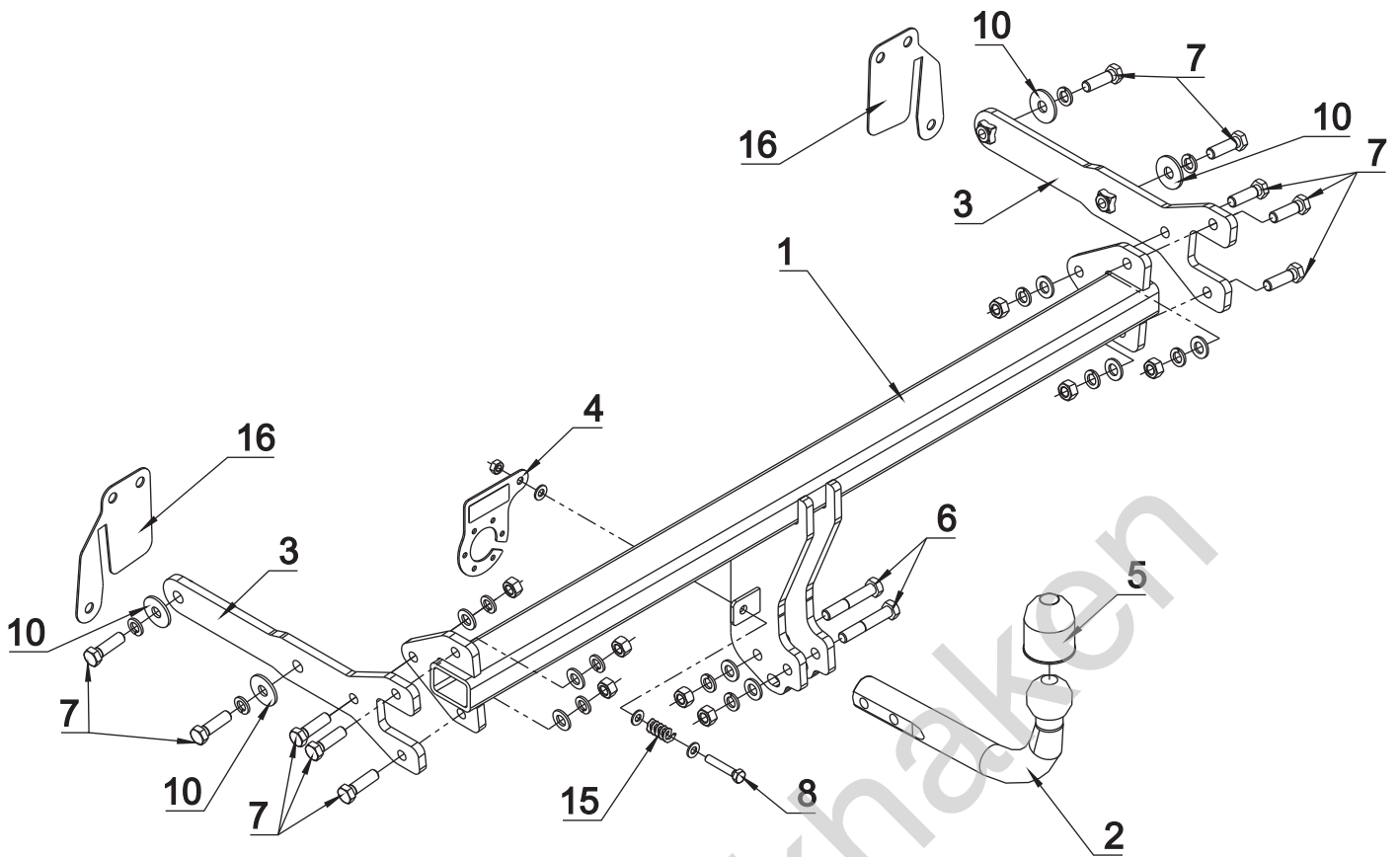
2h

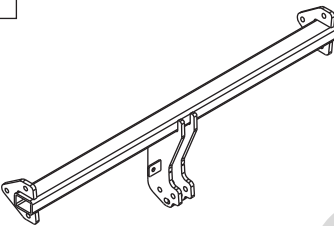





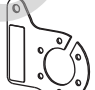


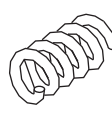

**19,0 kg**

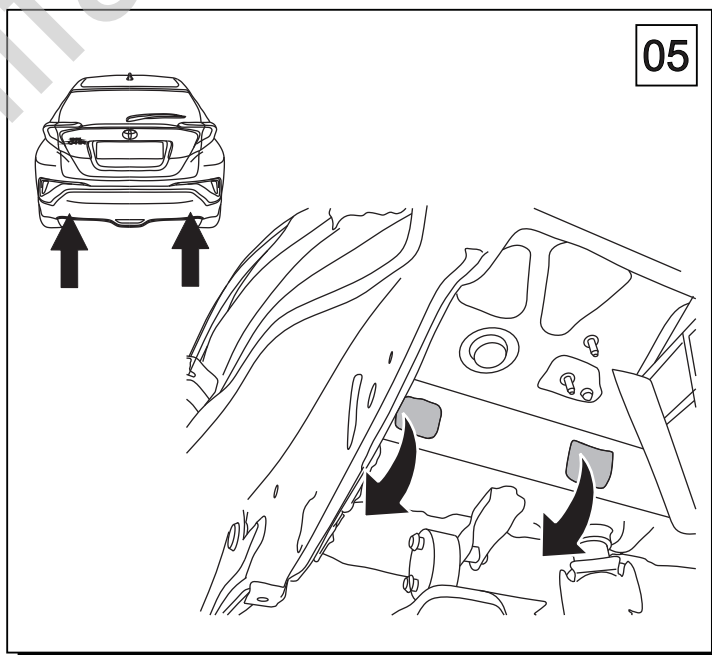
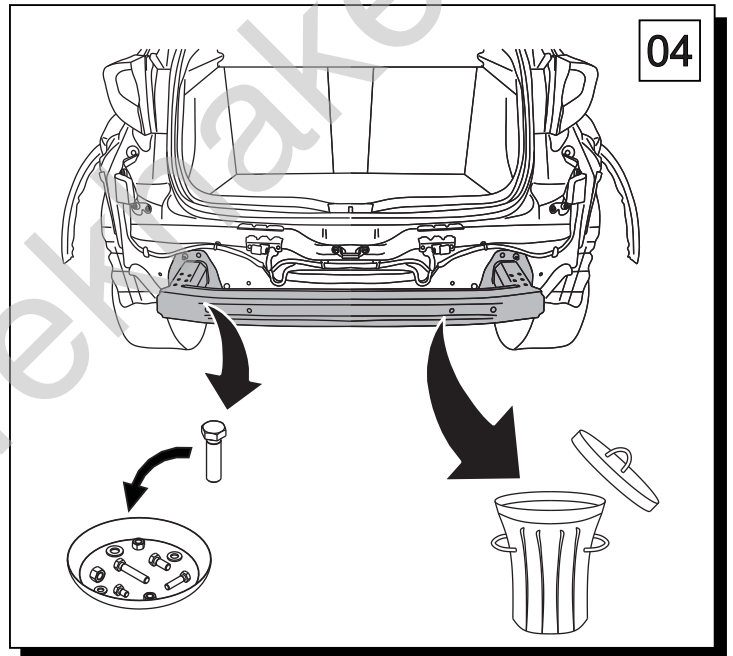
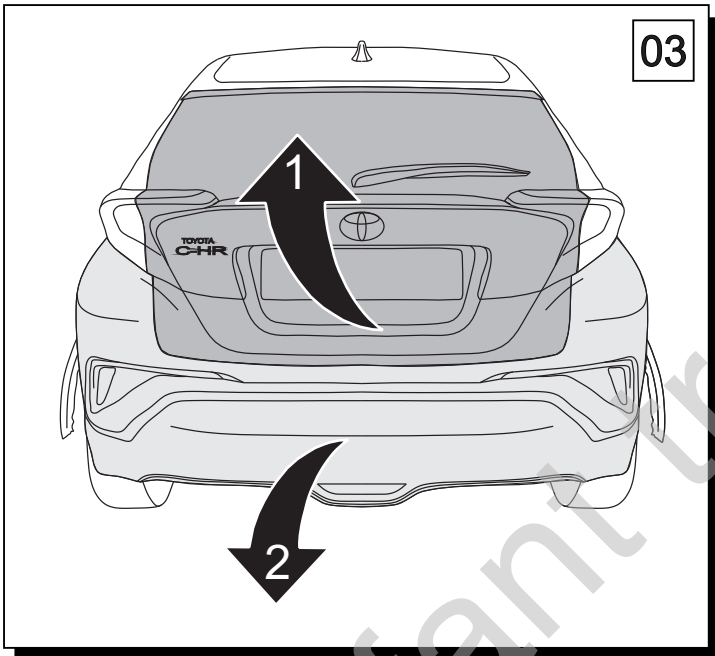
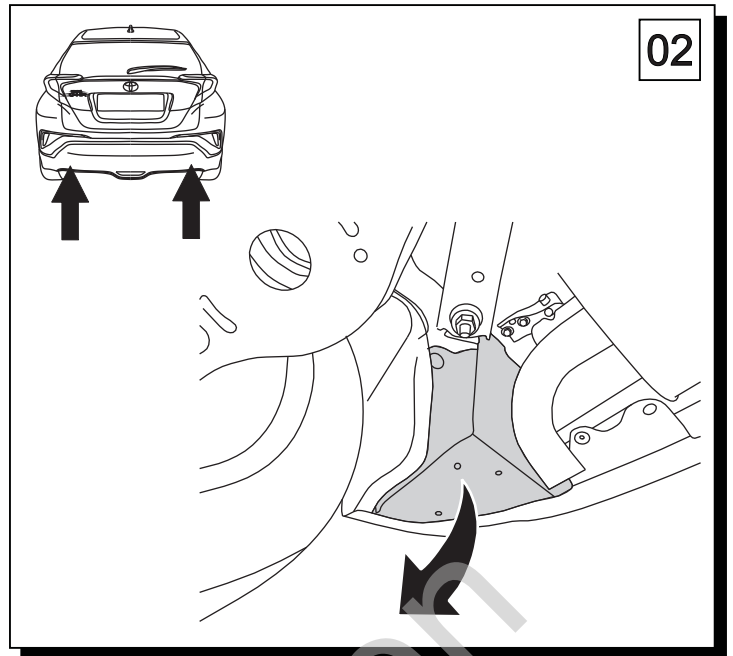
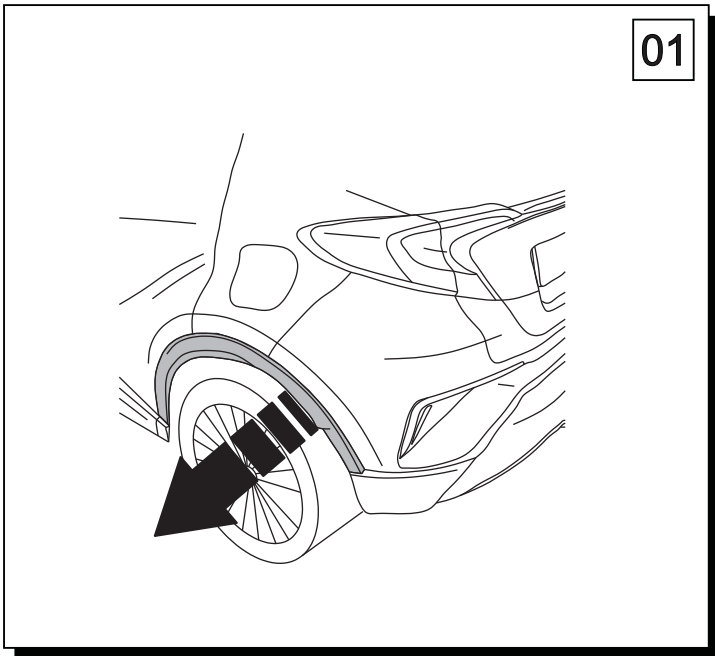


śruba Nm	M6	M8	M10	M12	M14	M16
klasa 8.8	9,9	24	48	83	132	200
klasa 10.9	14	34	67	117	185	285

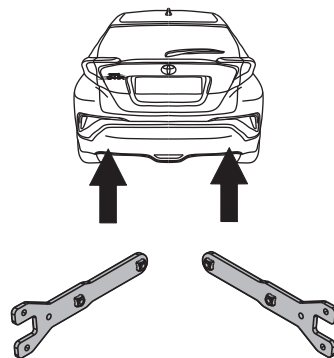
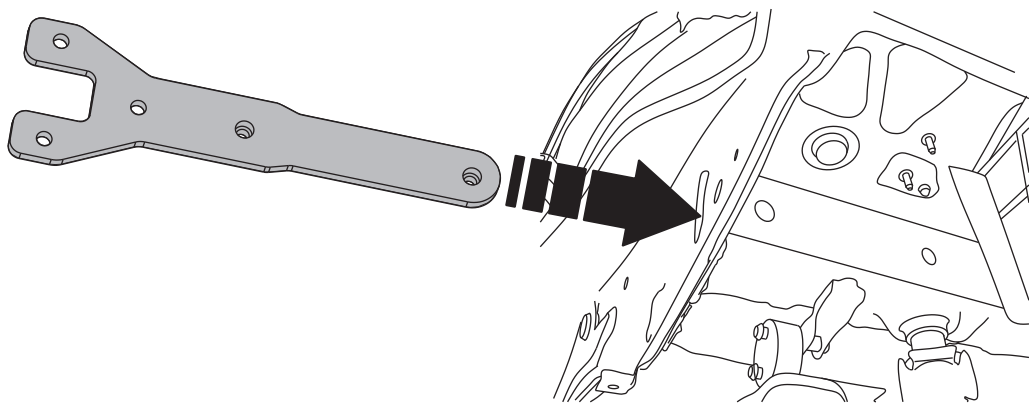
0 km → 1000 km






	<b>x 1</b>		<b>6</b> M12x70	<b>x 2</b>
			<b>7</b> M12x40	<b>x 10</b>
			<b>8</b> M8x50	<b>x 1</b>
			<b>9</b> $\varnothing$ 13	<b>x 8</b>
	<b>x 1</b> Art.nr-KL1094		<b>10</b> $\varnothing$ 37x $\varnothing$ 13x3 13 DIN 9021	<b>x 4</b>
			<b>11</b> $\varnothing$ 8	<b>x 3</b>
	<b>x 2</b>		<b>12</b> $\varnothing$ 12.2	<b>x 12</b>
			<b>13</b> M12	<b>x 8</b>
	<b>x 1</b> Art.nr-BL1094		<b>14</b> M8	<b>x 1</b>
			<b>15</b>	<b>x 1</b>
	<b>x 1</b>			
			<b>16</b>	<b>x 2</b>
				

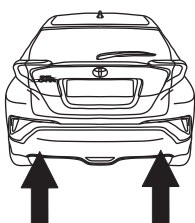
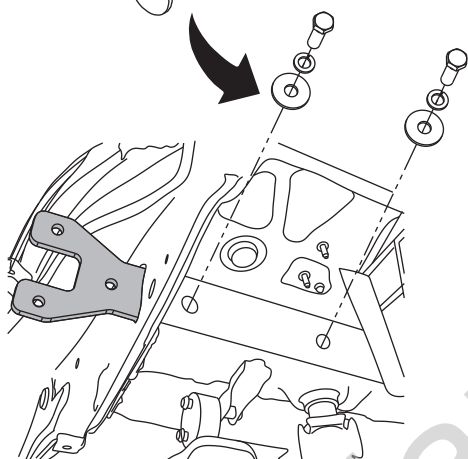


06

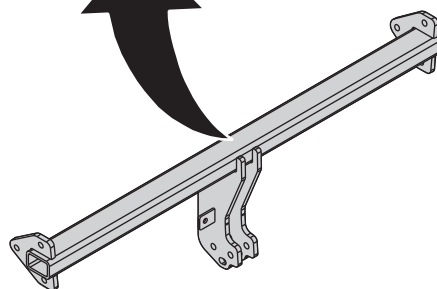
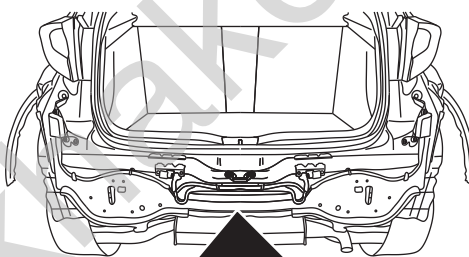


07

- 2x  M12x40mm
- 2x   $\varnothing 12,2\text{mm}$
- 2x   $\varnothing 37 \times \varnothing 13 \times 3\text{mm}$

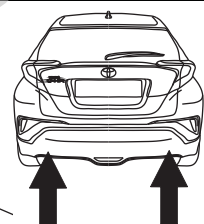
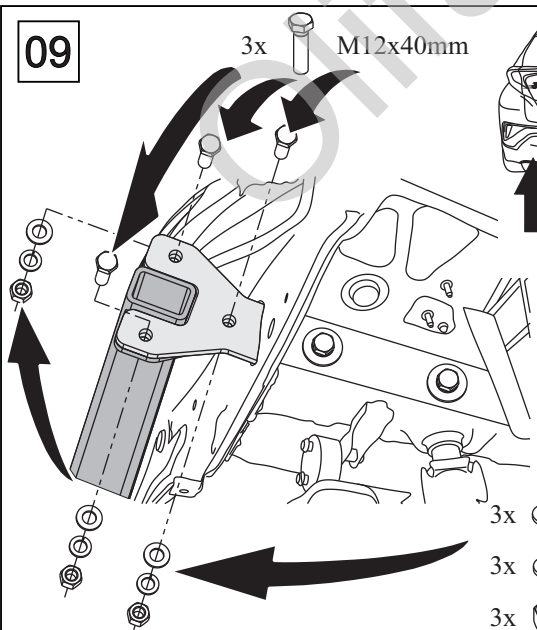





08



09

- 3x  M12x40mm



- 3x   $\varnothing 13\text{mm}$
- 3x   $\varnothing 12,2\text{mm}$
- 3x  M12

10

