

PPUH AUTO-HAK Sp.J.

Henryk i Zbigniew Nejman
ul. Słoneczna 16K 76-200 SŁUPSK
POLAND

tel/fax +48 59 8 414 414; +48 59 8 414 413

e-mail: office@autohak.com.pl

www.autohak.com.pl



AUTO-HAK



TOYOTA PRIUS IV
5D, +Hybrid

Cat. no:

O92A



09.2015 → 2022



E20-55R-01 4786



5,60 kN



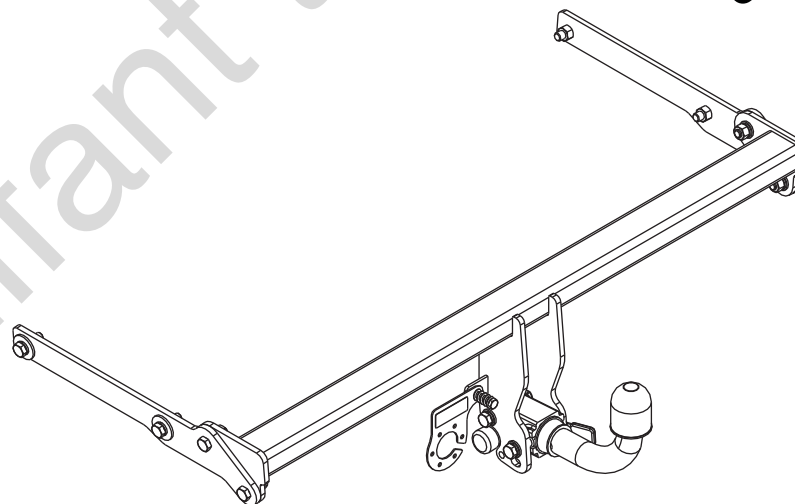
R=800 kg



S=75 kg



2h



M6 - 8,5 Nm
M10 - 41 Nm
M14 - 112 Nm

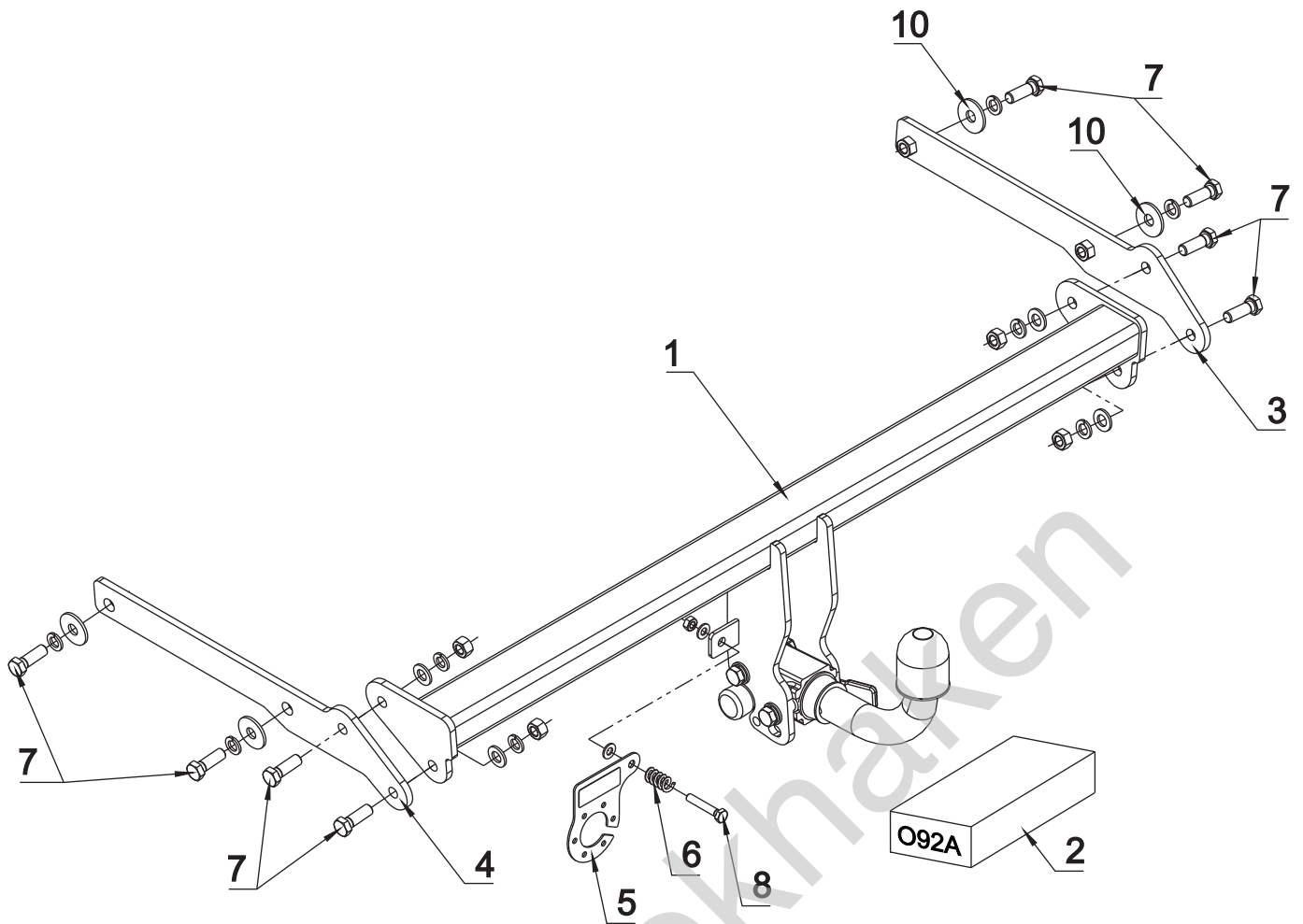
M8 - 20 Nm
M12 - 70 Nm
M16 - 170 Nm

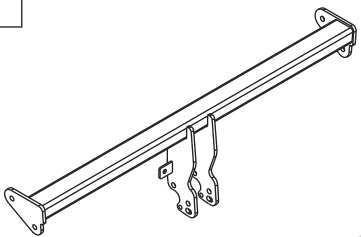


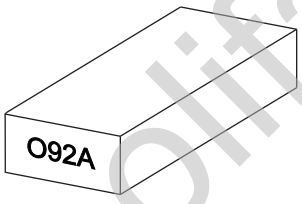

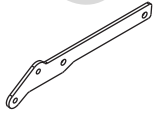

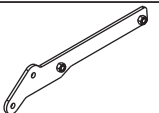




0 km →



1000 km



	x1		7	M12x35	x8	
				8	M8x45	x1
				9	∅ 13	x4
				10	∅ 37x∅13x3 13 DIN 9021	4
	x1		11	∅ 8.5	x2	
			12	∅ 12.2	x8	
	x1		13	M12	x4	
			14	M8	x1	
	x1					
	x1					
	Art.nr-KL1O92A					
	x1					
	Art.nr-BL1O92A					

