

PPUH AUTO-HAK Sp.J.

Henryk i Zbigniew Nejman
ul. Słoneczna 16K 76-200 SŁUPSK
POLAND

tel/fax +48 59 8 414 414; +48 59 8 414 413

e-mail: office@autohak.com.pl

www.autohak.com.pl



AUTO-HAK



TOYOTA PRIUS IV 5D, +Hybrid

Cat. no:

092



09.2015 → 2022



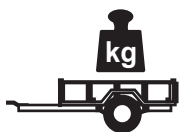
E20-55R-01 4785



2h

D

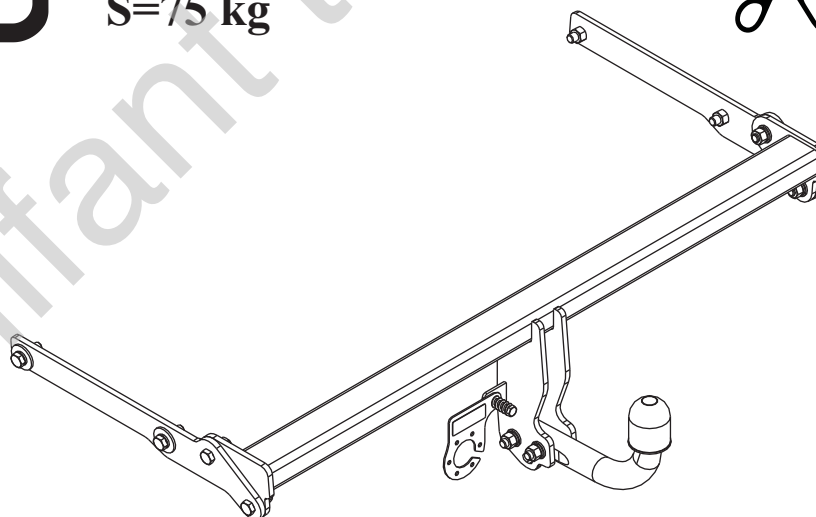
5,60 kN



R=800 kg



S=75 kg



M6 - 8,5 Nm
M10 - 41 Nm
M14 - 112 Nm

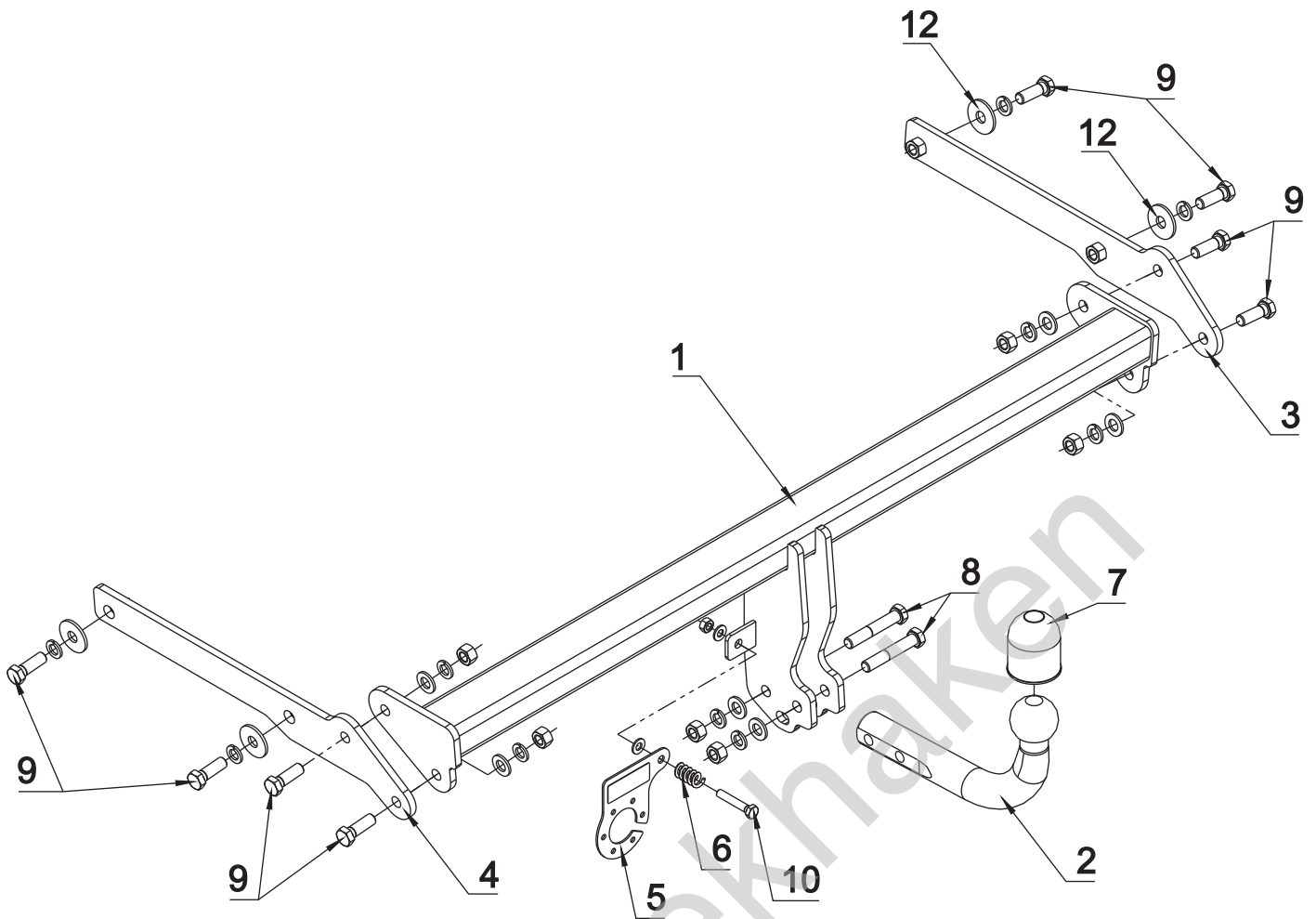
M8 - 20 Nm
M12 - 70 Nm
M16 - 170 Nm

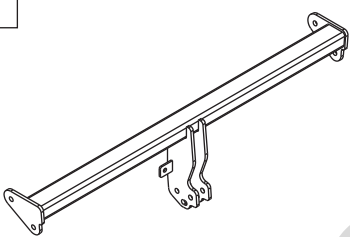

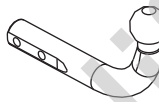

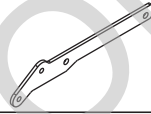

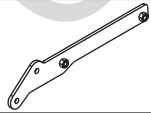

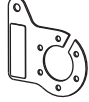
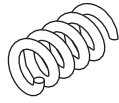



0 km →



1000 km



| | | | | | | |
|---|---|----|---|----|------------|-----|
| 1 |  | x1 |  | 8 | M12x70 | x2 |
| | | | | 9 | M12x35 | x8 |
| | | | | 10 | M8x45 | x1 |
| | | | | 11 | ∅ 13 | x6 |
| 2 |  | x1 |  | 12 | ∅ 37x∅13x3 | 4 |
| | | | | 13 | DIN 9021 | |
| 3 |  | x1 |  | 14 | ∅ 12.2 | x10 |
| | | | | | | |
| 4 |  | x1 |  | 15 | M12 | x6 |
| | | | | 16 | M8 | x1 |
| 5 |  | x1 | | | | |
| | Art.nr-BL1092 | | | | | |
| 6 |  | x1 | | | | |
| 7 |  | x1 | | | | |

