

AUTO-HAK Sp. z o.o.

ul. Słoneczna 16K 76-200 SŁUPSK
POLAND

tel/fax +48 59 8 414 414; +48 59 8 414 413

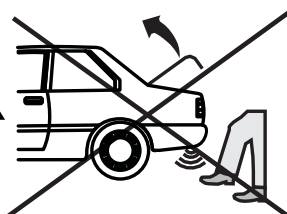
e-mail: office@autohak.com.pl

www.autohak.com.pl



AUTO-HAK

**TOYOTA RAV-4
SUV, + Hybrid**



Cat. no:

O91A



01.2016 → 10.2018



E20-55R-01 4683



2h



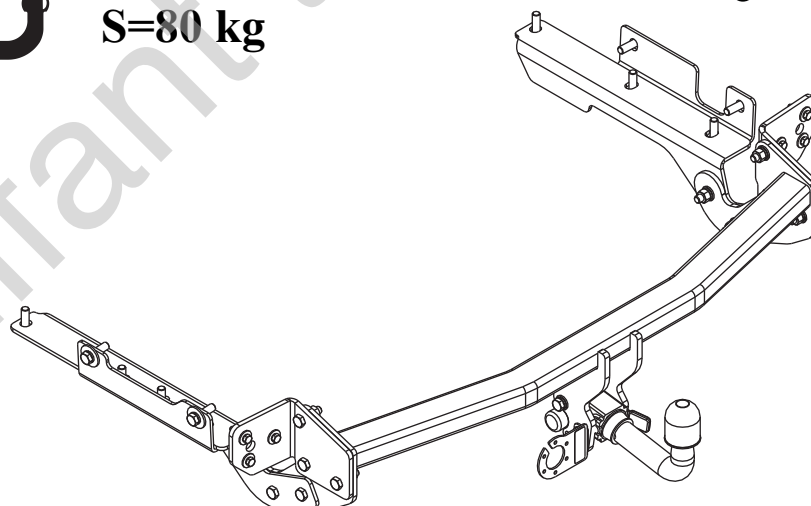
10,9 kN



R=2000 kg



S=80 kg



**M6 - 11 Nm
M10 - 50 Nm
M14 - 138 Nm**

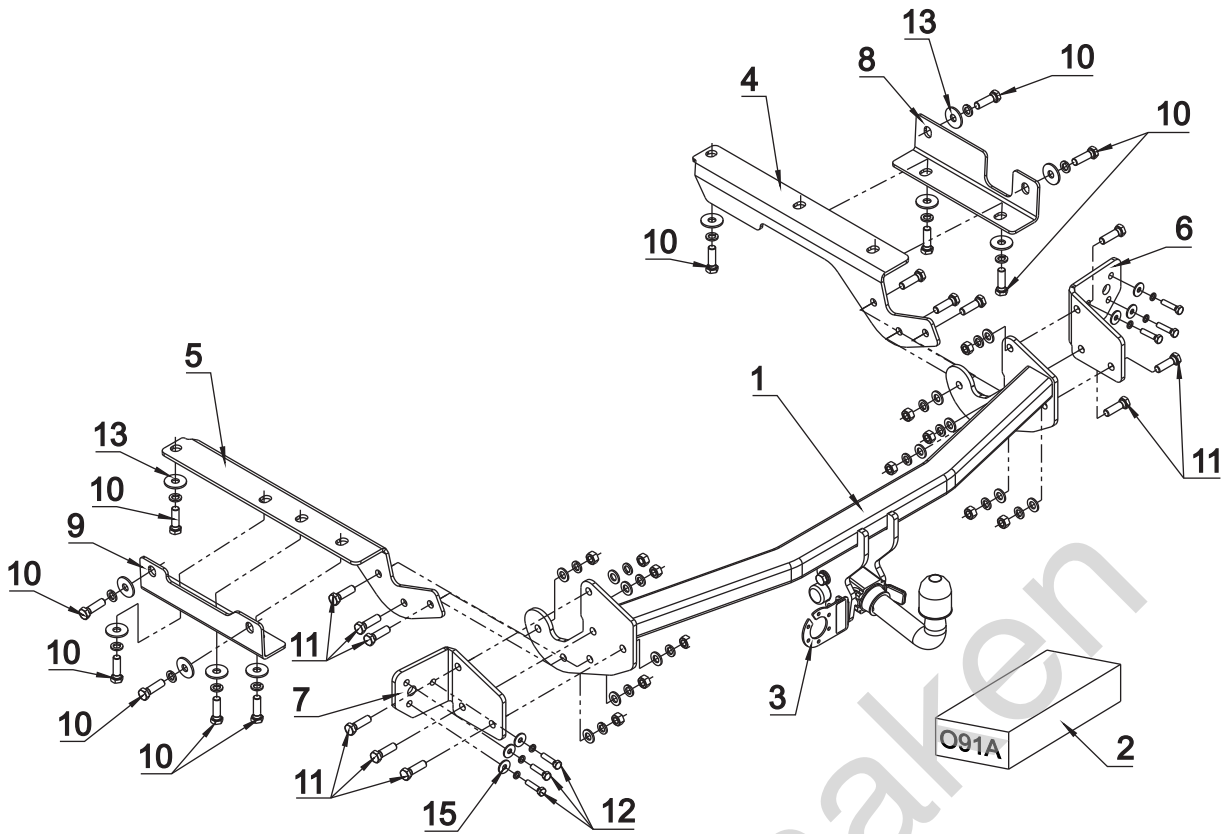
**M8 - 25 Nm
M12 - 87 Nm
M16 - 210 Nm**

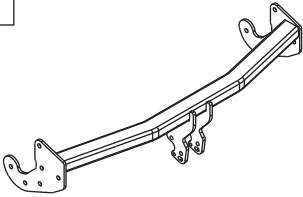
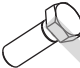



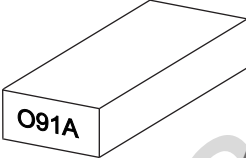
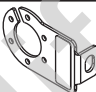


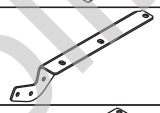


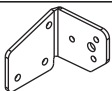
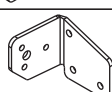
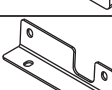



0 km →



1000 km



1		x 1		10 M12x1.25x40	x 11
				11 M12x40	x 12
				12 M 8x35	x 6
				13 ϕ 37x ϕ 13x3 13 DIN 9021	x 11
2		x 1		14 ϕ 13	x 12
	Art.nr-KL1O91A			15 ϕ 24x ϕ 8.4x2 8 DIN 9021	x 6
3		x 1		16 ϕ 12.2	x 23
	Art.nr-BL1O91A			17 ϕ 8.2	x 6
4		x 1		18 M12	x 12
5		x 1			
6		x 1			
7		x 1			
8		x 1			
9		x 1			

